



GOOD CREDIT

Metal

QINGDAO GOOD CREDIT METAL PRODUCTS CO., LTD

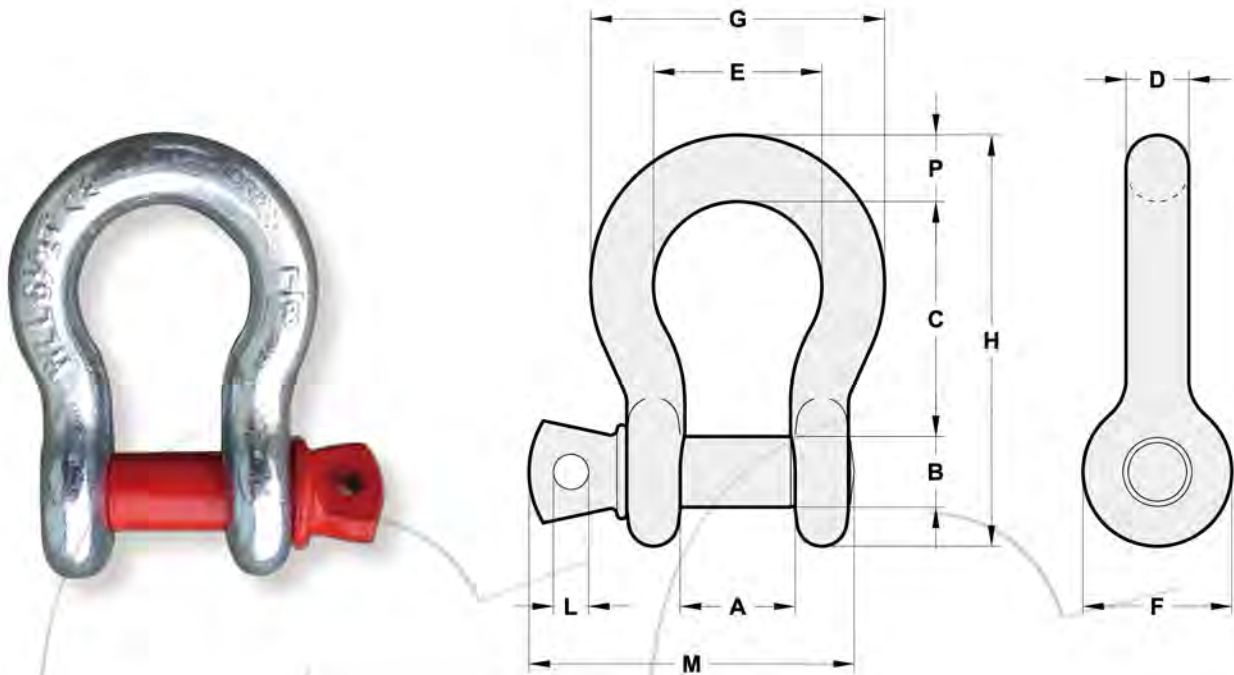


TABLE OF CONTENTS

SECTION 1 - SHACKLES	2
US TYPE DROP FORGED SHACKLES	3~10
EUROPEAN TYPE SHACKLES	11~20
JIS TYPE SHACKLES	21~22
OTHER SHACKLES	23~24
SECTION 2 - WIRE ROPE END TERMINATIONS	25
TURNBUCKLE	26~53
WIRE ROPE CLIPS	54~59
THIMBLE	60~67
SOCKETS	68~73
SLEEVES	74~87
SECTION 3 - HOOKS & SWIVELS	88
HOOKS	89~112
SWIVELS	113~120
SECTION 4 - LOAD BINDER	121
LOAD BINDER	122~139
SECTION 5 - RIGGING ACCESSORIES	140
LINKS & RING	141~164
EYE BOLTS	165~170
ACCESSORIES	171~174
SECTION 6 - STAMPING & WELDING PARTS	175
WIRE TENSIONER	176~178
PRECAST LIFTING SYSTEM	179~200
SECTION 7 - CHAIN & ACCESSORIES	201
CHAIN	202~210
ACCESSORIES	211~213
SECTION 8 - MARINE OUTFITTINGS	214
ANCHOR CHAIN & ACCESSORIES	215~224
ANCHOR	225~252
MARINE CASTING STEEL	253~258
SECTION 9 - CONTAINER LASHING EQUIPMENT	259
LOOSE & FIXED FITTINGS	260~264
CONTAINER CASTING CORNER FITTINGS	265



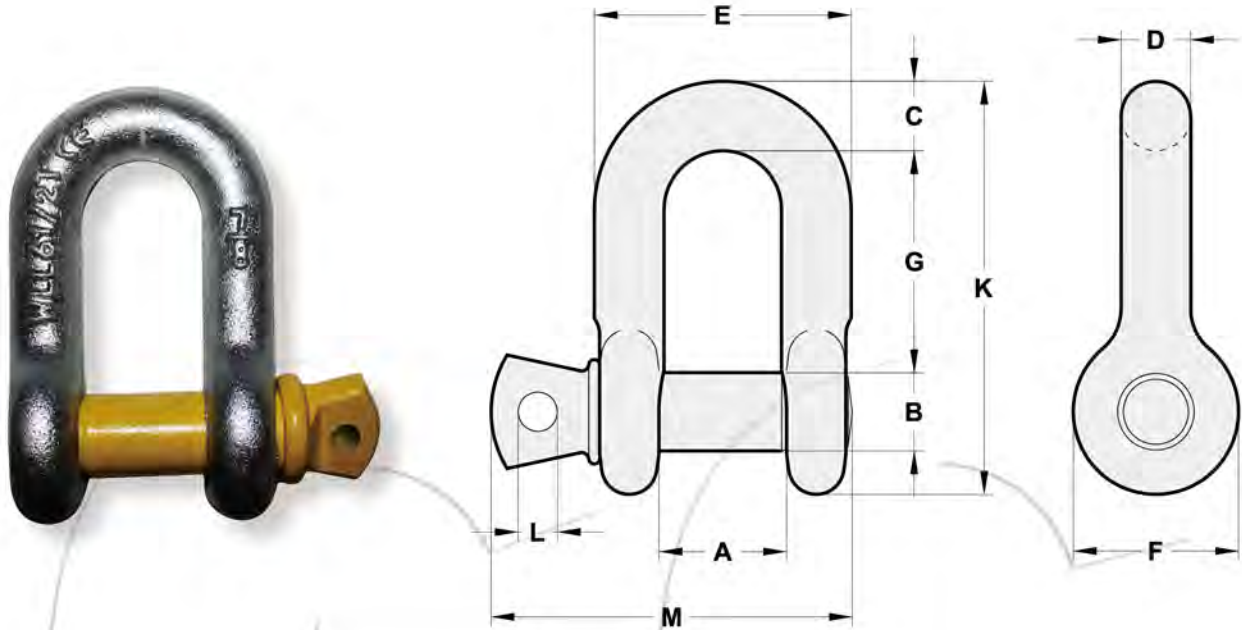
US TYPE SCREW PIN ANCHOR SHACKLE G209/S209



- Standard: Meets performance requirements of US Fed. Spec. RR-C271D Type IVA Grade A, Class 2
- Forged-Quenched and Tempered with Alloy Pin
- Maximum Proof Load is 2.0 times the Working Load Limit. Minimum Ultimate Load is 6 times the Working Load Limit.
- Finish: Hot Dip Galvanized according to ASTM A153, Powder Coated or Self-Colored
- Certification: Material Certificates and Testing Certificates available when requested at the time of order
- Package: Packing available with Carton Box or Gunny Bag

Nominal Size (in.)	Working Load Limit (t)	Weight Each (lbs.)	Dimensions (in.)											Tolerance +/-	
			A	B	C	D	E	F	G	H	L	M	P	C	A
3/16	1/3	0.16	0.38	0.25	0.88	0.19	0.60	0.56	0.98	1.47	0.16	1.14	0.19	0.06	0.06
1/4	1/2	0.10	0.47	0.31	1.13	0.25	0.78	0.61	1.28	1.84	0.19	1.43	0.25	0.06	0.06
5/16	3/4	0.18	0.53	0.38	1.22	0.31	0.84	0.75	1.47	2.09	0.22	1.71	0.31	0.06	0.06
3/8	1	0.31	0.66	0.44	1.44	0.38	1.03	0.91	1.78	2.49	0.25	2.02	0.38	0.13	0.06
7/16	1-1/2	0.38	0.75	0.50	1.69	0.44	1.16	1.06	2.03	2.91	0.31	2.37	0.44	0.13	0.06
1/2	2	0.72	0.81	0.63	1.88	0.50	1.31	1.19	2.31	3.28	0.38	2.69	0.50	0.13	0.06
5/8	3-1/4	1.37	1.06	0.75	2.38	0.63	1.69	1.50	2.94	4.19	0.44	3.34	0.69	0.13	0.06
3/4	4-3/4	2.35	1.25	0.88	2.81	0.75	2.00	1.81	3.50	4.97	0.50	3.97	0.81	0.25	0.06
7/8	6-1/2	3.62	1.44	1.00	3.31	0.88	2.28	2.09	4.03	5.83	0.50	4.50	0.97	0.25	0.06
1	8-1/2	5.03	1.69	1.13	3.75	1.00	2.69	2.38	4.69	6.56	0.56	5.13	1.06	0.25	0.06
1-1/8	9-1/2	7.41	1.81	1.25	4.25	1.16	2.91	2.69	5.16	7.47	0.63	5.71	1.25	0.25	0.06
1-1/4	12	9.50	2.03	1.38	4.69	1.29	3.25	3.00	5.75	8.25	0.69	6.25	1.38	0.25	0.06
1-3/8	13-1/2	13.53	2.25	1.50	5.25	1.42	3.63	3.31	6.38	9.16	0.75	6.83	1.50	0.25	0.13
1-1/2	17	17.20	2.38	1.63	5.75	1.54	3.88	3.63	6.88	10.00	0.81	7.33	1.62	0.25	0.13
1-3/4	25	27.78	2.88	2.00	7.00	1.84	5.00	4.19	8.86	12.34	1.00	9.06	2.25	0.25	0.13
2	35	45.00	3.25	2.25	7.75	2.08	5.75	4.81	9.97	13.68	1.22	10.35	2.40	0.25	0.13
2-1/2	55	85.75	4.13	2.75	10.50	2.71	7.25	5.69	12.87	17.84	1.38	13.00	3.13	0.25	0.25

US TYPE SCREW PIN CHAIN SHACKLE G210/S210

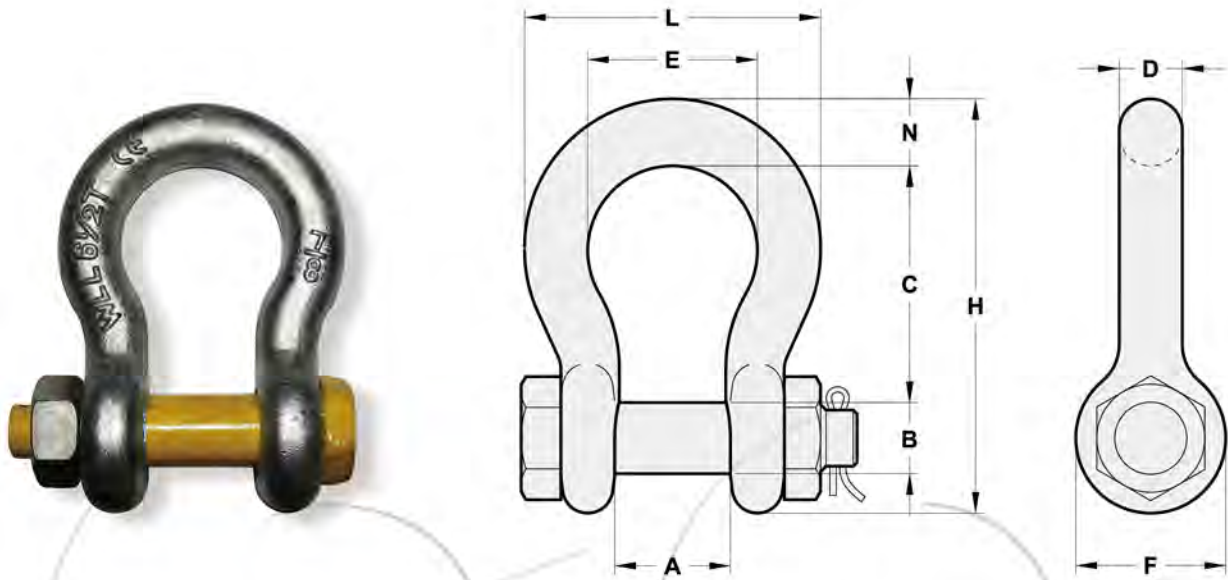


- Standard: Meets performance requirements of US Fed. Spec. RR-C271D Type IVA Grade A, Class 2
- Forged-Quenched and Tempered with Alloy Pin
- Maximum Proof Load is 2.0 times the Working Load Limit. Minimum Ultimate Load is 6 times the Working Load Limit.
- Finish: Hot Dip Galvanized according to ASTM A153, Powder Coated or Self-Colored
- Certification: Material Certificates and Testing Certificates available when requested at the time of order
- Package: Packing available with Carton Box or Gunny Bag

Nominal Size (in.)	Working Load Limit (t)	Weight Each (lbs.)	Dimensions (in.)										Tolerance +/-	
			A	B	C	D	E	F	G	K	L	M	G	A
1/4	1/2	0.11	0.47	0.31	0.25	0.25	0.97	0.62	0.97	1.59	0.19	1.43	0.06	0.06
5/16	3/4	0.17	0.53	0.38	0.31	0.31	1.15	0.75	1.07	1.91	0.22	1.71	0.06	0.06
3/8	1	0.28	0.66	0.44	0.38	0.38	1.42	0.92	1.28	2.31	0.25	2.02	0.13	0.06
7/16	1-1/2	0.43	0.75	0.50	0.44	0.44	1.63	1.06	1.48	2.67	0.31	2.37	0.13	0.06
1/2	2	0.59	0.81	0.63	0.50	0.50	1.81	1.18	1.66	3.03	0.38	2.69	0.13	0.06
5/8	3-1/4	1.25	1.06	0.75	0.63	0.63	2.32	1.50	2.04	3.76	0.44	3.34	0.13	0.06
3/4	4-3/4	2.63	1.25	0.88	0.81	0.75	2.75	1.81	2.40	4.53	0.50	3.97	0.25	0.06
7/8	6-1/2	3.16	1.44	1.00	0.97	0.88	3.20	2.10	2.86	5.33	0.50	4.50	0.25	0.06
1	8-1/2	4.75	1.69	1.13	1.00	1.00	3.69	2.38	3.24	5.94	0.56	5.13	0.25	0.06
1-1/8	9-1/2	6.75	1.81	1.25	1.25	1.13	4.07	2.69	3.61	6.78	0.63	5.71	0.25	0.06
1-1/4	12	9.06	2.03	1.38	1.38	1.25	4.53	3.00	3.97	7.50	0.69	6.25	0.25	0.13
1-3/8	12-1/2	11.63	2.25	1.50	1.50	1.38	5.01	3.31	4.43	8.28	0.75	6.53	0.25	0.13
1-1/2	17	15.95	2.38	1.63	1.62	1.50	5.38	3.62	4.87	9.05	0.81	7.33	0.25	0.13
1-3/4	25	26.75	2.88	2.00	2.12	1.75	6.38	4.19	5.78	10.97	1.00	9.06	0.25	0.13
2	35	42.31	3.25	2.25	2.36	2.10	7.25	5.00	6.77	12.74	1.13	10.35	0.25	0.13
2-1/2	55	71.75	4.12	2.75	2.63	2.63	9.38	5.68	8.07	14.85	1.38	13.00	0.25	0.13

WARNING Never exceed Working Load Limit

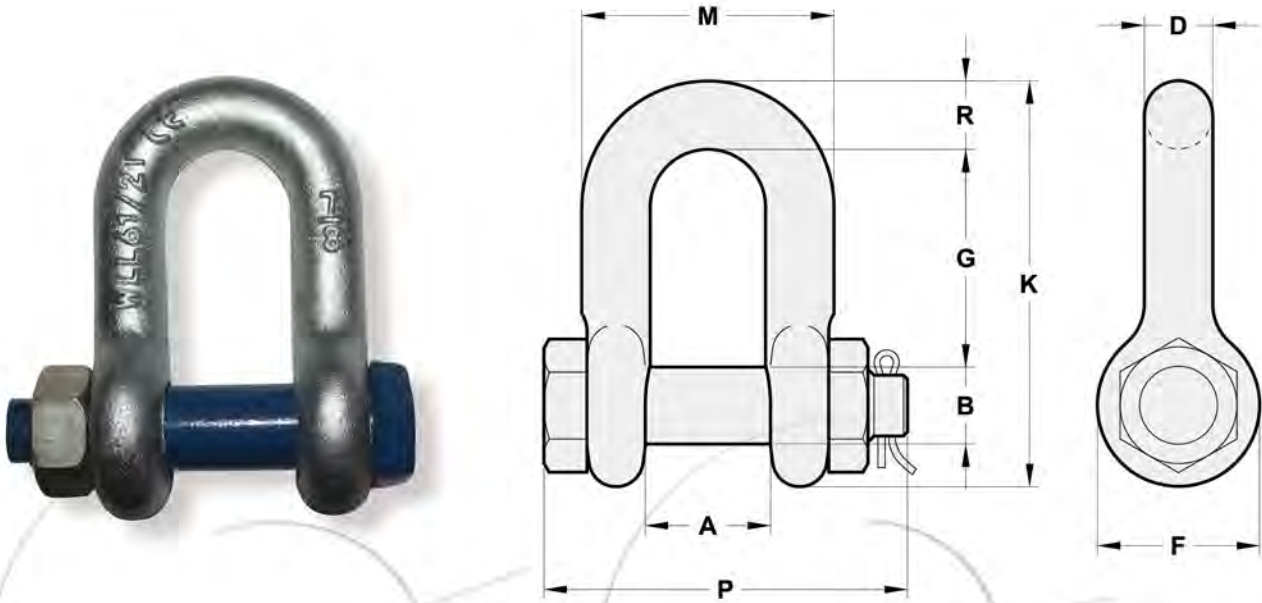
US TYPE BOLT & NUT PIN ANCHOR SHACKLE G2130/S2130



- Standard: Meets performance requirements of US Fed. Spec. RR-C271D Type IVA Grade A, Class 3
- Forged-Quenched and Tempered with Alloy Pin
- Maximum Proof Load is 2.0 times the Working Load Limit. Minimum Ultimate Load is 6 times the Working Load Limit.
- Finish: Hot Dip Galvanized according to ASTM A153, Powder Coated or Self-Colored
- Certification: Material Certificates and Testing Certificates available when requested at the time of order
- Package: Packing available with Carton Box or Gunny Bag

Nominal Size (in.)	Working Load Limit (t)	Weight Each (lbs.)	Dimensions (in.)									Tolerance +/-	
			A	B	C	D	E	F	H	L	N	C	A
3/16	1/3	0.06	0.38	0.25	0.88	0.19	0.60	0.56	1.47	0.98	0.19	0.6	0.06
1/4	1/2	0.11	0.47	0.31	1.13	0.25	0.78	0.61	1.84	1.28	0.25	0.6	0.06
5/16	3/4	0.22	0.53	0.38	1.22	0.31	0.84	0.75	2.09	1.47	0.31	0.6	0.06
3/8	1	0.33	0.66	0.44	1.44	0.38	1.03	0.91	2.49	1.78	0.38	0.13	0.06
7/16	1-1/2	0.49	0.75	0.50	1.69	0.44	1.16	1.06	2.91	2.03	0.44	0.13	0.06
1/2	2	0.79	0.81	0.64	1.88	0.50	1.31	1.19	3.28	2.31	0.50	0.13	0.06
5/8	3-1/4	1.68	1.06	0.77	2.38	0.63	1.69	1.50	4.19	2.94	0.69	0.13	0.06
3/4	4-3/4	2.72	1.25	0.89	2.81	0.75	2.00	1.81	4.97	3.50	0.81	0.25	0.06
7/8	6-1/2	3.95	1.44	1.02	3.31	0.88	2.28	2.09	5.83	4.03	0.97	0.25	0.06
1	8-1/2	5.66	1.69	1.15	3.75	1.00	2.69	2.38	6.56	4.69	1.06	0.25	0.06
1-1/8	9-1/2	8.27	1.81	1.25	4.25	1.13	2.91	2.69	7.47	5.16	1.25	0.25	0.06
1-1/4	12	11.71	2.03	1.40	4.69	1.29	3.25	3.00	8.25	5.75	1.38	0.25	0.06
1-3/8	13-1/2	15.83	2.25	1.53	5.25	1.42	3.63	3.31	9.16	6.38	1.50	0.25	0.13
1-1/2	17	19.00	2.38	1.66	5.75	1.53	3.88	3.63	10.00	6.88	1.62	0.25	0.13
1-3/4	25	33.91	2.88	2.04	7.00	1.84	5.00	4.19	12.34	8.80	2.25	0.25	0.13
2	35	52.25	3.25	2.30	7.75	2.08	5.75	4.81	13.68	10.15	2.40	0.25	0.13
2-1/2	55	98.25	4.13	2.80	10.50	2.71	7.25	5.69	17.90	12.75	3.13	0.25	0.25
3	85	154.00	5.00	3.30	13.00	3.12	7.88	6.50	21.50	14.62	3.62	0.25	0.25
3-1/2	120	265.00	5.25	3.76	14.63	3.62	9.00	8.00	24.88	17.02	4.38	0.25	0.25
4	150	338.00	5.50	4.26	14.50	4.00	10.00	9.00	25.68	18.00	4.56	0.25	0.25

US TYPE BOLT & NUT PIN CHAIN SHACKLE G2150/S2150

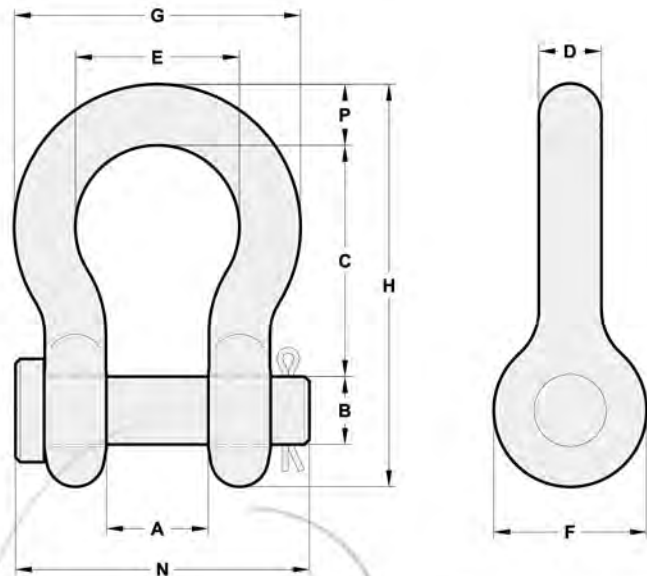


- Standard: Meets performance requirements of US Fed. Spec. RR-C271D Type IVA Grade A, Class 3
- Forged-Quenched and Tempered with Alloy Pin
- Maximum Proof Load is 2.0 times the Working Load Limit. Minimum Ultimate Load is 6 times the Working Load Limit.
- Finish: Hot Dip Galvanized according to ASTM A153, Powder Coated or Self-Colored
- Certification: Material Certificates and Testing Certificates available when requested at the time of order
- Package: Packing available with Carton Box or Gunny Bag

Nominal Size (in.)	Working Load Limit (t)	Weight Each (lbs.)	Dimensions (in.)									Tolerance +/-	
			A	B	D	F	G	K	M	P	R	G	A
1/4	1/2	0.13	0.47	0.31	0.25	0.62	0.91	1.59	0.97	1.56	0.25	0.06	0.06
5/16	3/4	0.23	0.53	0.38	0.31	0.75	1.07	1.91	1.15	1.82	0.31	0.06	0.06
3/8	1	0.33	0.66	0.44	0.38	0.92	1.28	2.31	1.42	2.17	0.38	0.13	0.06
7/16	1-1/2	0.49	0.75	0.50	0.44	1.06	1.48	2.67	1.63	2.51	0.44	0.13	0.06
1/2	2	0.75	0.81	0.64	0.50	1.18	1.66	3.03	1.81	2.80	0.50	0.13	0.06
5/8	3-1/2	1.47	1.06	0.77	0.63	1.50	2.04	3.76	2.32	3.56	0.63	0.13	0.06
3/4	4-3/4	2.52	1.25	0.89	0.75	1.81	2.40	4.53	2.75	4.15	0.81	0.25	0.06
7/8	6-1/2	3.85	1.44	1.02	0.88	2.10	2.86	5.33	3.20	4.82	0.97	0.25	0.06
1	8-1/2	5.55	1.69	1.15	1.00	2.38	3.24	5.94	3.69	5.39	1.00	0.25	0.06
1-1/8	9-1/2	7.60	1.81	1.25	1.13	2.68	3.61	6.78	4.07	5.90	1.25	0.25	0.06
1-1/4	12	10.81	2.03	1.40	1.25	3.00	3.97	7.50	4.53	6.69	1.38	0.25	0.06
1-3/8	13-1/2	13.75	2.25	1.53	1.38	3.31	4.43	8.28	5.01	7.21	1.50	0.25	0.13
1-1/2	17	18.50	2.38	1.66	1.50	3.62	4.87	9.05	5.38	7.73	1.62	0.25	0.13
1-3/4	25	31.40	2.88	2.04	1.75	4.19	5.82	10.97	6.38	9.33	2.12	0.25	0.13
2	35	46.75	3.25	2.30	2.10	5.00	6.82	12.74	7.25	10.41	2.36	0.25	0.13
2-1/2	55	85.00	4.12	2.80	2.63	5.68	8.07	14.85	9.38	13.58	2.63	0.25	0.13
3	85	124.25	5.00	3.25	3.00	6.50	8.56	16.87	11.00	15.13	3.50	0.25	0.13

⚠ WARNING Never exceed Working Load Limit

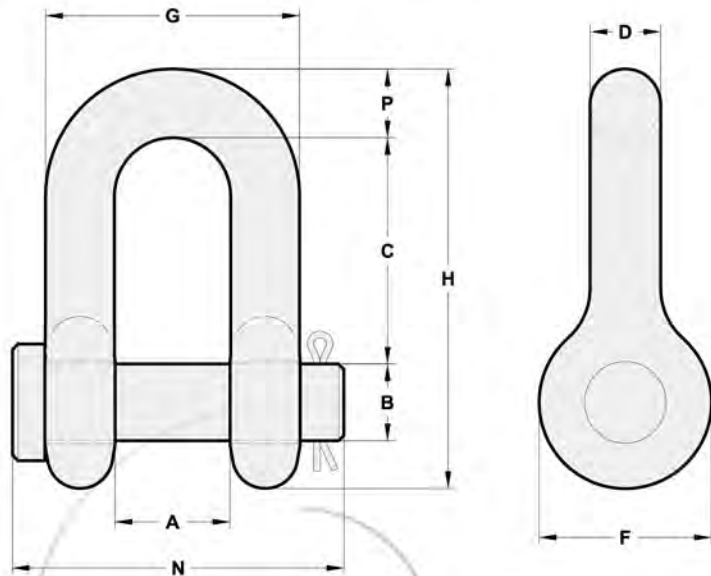
US TYPE ROUND PIN ANCHOR SHACKLE G213/S213



- Standard: Meets performance requirements of US Fed. Spec. RR-C271D Type IVA Grade A, Class 1
- Forged-Quenched and Tempered with Alloy Pin
- Maximum Proof Load is 2.0 times the Working Load Limit. Minimum Ultimate Load is 6 times the Working Load Limit.
- Finish: Hot Dip Galvanized according to ASTM A153, Powder Coated or Self-Colored
- Certification: Material Certificates and Testing Certificates available when requested at the time of order
- Package: Packing available with Carton Box or Gunny Bag

Nominal Size (in.)	Working Load Limit (t)	Weight Each (lbs.)	Dimensions (in.)											Tolerance +/-	
			A	B	C	D	E	F	G	H	L	M	P	C	A
3/16	1/3	0.16	0.38	0.25	0.88	0.19	0.60	0.56	0.98	1.47	0.16	1.14	0.19	0.06	0.06
1/4	1/2	0.13	0.47	0.31	1.13	0.25	0.78	0.61	1.28	1.84	0.19	1.43	0.25	0.06	0.06
5/16	3/4	0.18	0.53	0.38	1.22	0.31	0.84	0.75	1.47	2.09	0.22	1.71	0.31	0.06	0.06
3/8	1	0.29	0.66	0.44	1.44	0.38	1.03	0.91	1.78	2.49	0.25	2.02	0.38	0.13	0.06
7/16	1-1/2	0.38	0.75	0.50	1.69	0.44	1.16	1.06	2.03	2.91	0.31	2.37	0.44	0.13	0.06
1/2	2	0.71	0.81	0.63	1.88	0.50	1.31	1.19	2.31	3.28	0.38	2.69	0.50	0.13	0.06
5/8	3-1/4	1.50	1.06	0.75	2.38	0.63	1.69	1.50	2.94	4.19	0.44	3.34	0.69	0.13	0.06
3/4	4-3/4	2.32	1.25	0.88	2.81	0.75	2.00	1.81	3.50	4.97	0.50	3.97	0.81	0.25	0.06
7/8	6-1/2	3.49	1.44	1.00	3.31	0.88	2.28	2.09	4.03	5.83	0.50	4.50	0.97	0.25	0.06
1	8-1/2	5.00	1.69	1.13	3.75	1.00	2.69	2.38	4.69	6.56	0.56	5.13	1.06	0.25	0.06
1-1/8	9-1/2	6.97	1.81	1.25	4.25	1.16	2.91	2.69	5.16	7.47	0.63	5.71	1.25	0.25	0.06
1-1/4	12	9.75	2.03	1.38	4.69	1.29	3.25	3.00	5.75	8.25	0.69	6.25	1.38	0.25	0.06
1-3/8	13-1/2	13.25	2.25	1.50	5.25	1.42	3.63	3.31	6.38	9.16	0.75	6.83	1.50	0.25	0.13
1-1/2	17	17.25	2.38	1.63	5.75	1.54	3.88	3.63	6.88	10.00	0.81	7.33	1.62	0.25	0.13
1-3/4	25	29.49	2.88	2.00	7.00	1.84	5.00	4.19	8.86	12.34	1.00	9.06	2.25	0.25	0.13
2	35	45.75	3.25	2.25	7.75	2.08	5.75	4.81	9.97	13.68	1.22	10.35	2.40	0.25	0.13
2-1/2	55	85.70	4.13	2.75	10.50	2.71	7.25	5.69	12.87	17.84	1.38	13.00	3.13	0.25	0.25

US TYPE ROUND PIN CHAIN SHACKLE G215/S215

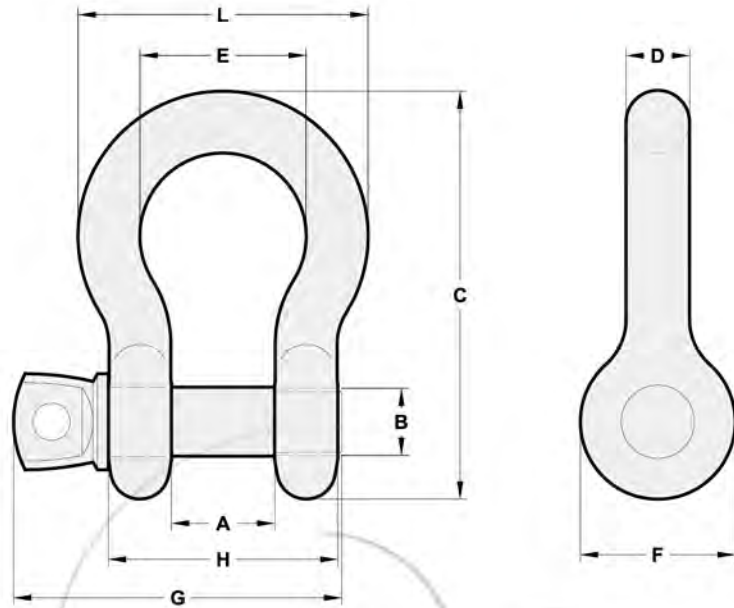


- Standard: Meets performance requirements of US Fed. Spec. RR-C271D Type IVA Grade A, Class 1
- Forged-Quenched and Tempered with Alloy Pin
- Maximum Proof Load is 2.0 times the Working Load Limit. Minimum Ultimate Load is 6 times the Working Load Limit.
- Finish: Hot Dip Galvanized according to ASTM A153, Powder Coated or Self-Colored
- Certification: Material Certificates and Testing Certificates available when requested at the time of order
- Package: Packing available with Carton Box or Gunny Bag

Nominal Size (in.)	Working Load Limit (t)	Weight Each (lbs.)	Dimensions (in.)										Tolerance +/-	
			A	B	C	D	E	F	G	K	L	M	G	A
1/4	1/2	0.10	0.47	0.31	0.25	0.25	0.97	0.62	0.97	1.59	0.19	1.43	0.06	0.06
5/16	3/4	0.18	0.53	0.38	0.31	0.31	1.15	0.75	1.07	1.91	0.22	1.71	0.06	0.06
3/8	1	0.25	0.66	0.44	0.38	0.38	1.42	0.92	1.28	2.31	0.25	2.02	0.13	0.06
7/16	1-1/2	0.40	0.75	0.50	0.44	0.44	1.63	1.06	1.48	2.67	0.31	2.37	0.13	0.06
1/2	2	0.50	0.81	0.63	0.50	0.50	1.81	1.18	1.66	3.03	0.38	2.69	0.13	0.06
5/8	3-1/4	1.21	1.06	0.75	0.63	0.63	2.32	1.50	2.04	3.76	0.44	3.34	0.13	0.06
3/4	4-3/4	2.00	1.25	0.88	0.81	0.75	2.75	1.81	2.40	4.53	0.50	3.97	0.25	0.06
7/8	6-1/2	3.28	1.44	1.00	0.97	0.88	3.20	2.10	2.86	5.33	0.50	4.50	0.25	0.06
1	8-1/2	4.75	1.69	1.13	1.00	1.00	3.69	2.38	3.24	5.94	0.56	5.13	0.25	0.06
1-1/8	9-1/2	6.30	1.81	1.25	1.25	1.13	4.07	2.69	3.61	6.78	0.63	5.71	0.25	0.06
1-1/4	12	9.00	2.03	1.38	1.38	1.25	4.53	3.00	3.97	7.50	0.69	6.25	0.25	0.13
1-3/8	12-1/2	12.00	2.25	1.50	1.50	1.38	5.01	3.31	4.43	8.28	0.75	6.53	0.25	0.13
1-1/2	17	16.15	2.38	1.63	1.62	1.50	5.38	3.62	4.87	9.05	0.81	7.33	0.25	0.13
1-3/4	25	29.96	2.88	2.00	2.12	1.75	6.38	4.19	5.78	10.97	1.00	9.06	0.25	0.13
2	35	43.25	3.25	2.25	2.36	2.10	7.25	5.00	6.77	12.74	1.13	10.35	0.25	0.13
2-1/2	55	71.75	4.12	2.75	2.63	2.63	9.38	5.68	8.07	14.85	1.38	13.00	0.25	0.13

⚠ WARNING Never exceed Working Load Limit

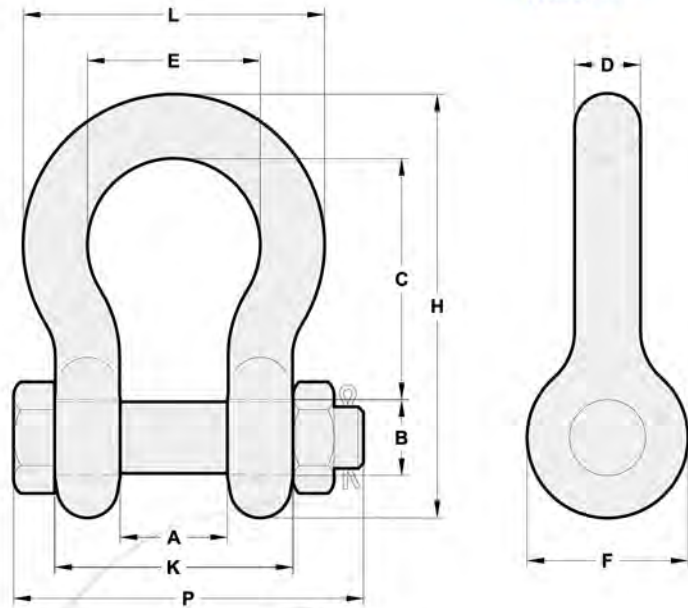
G80 US TYPE SCREW PIN ANCHOR SHACKLE



- Standard: Meets performance requirements of US Fed. Spec. RR-C271F Type IVA, Grade B
- Production Process: Drop Forged
- Material: Superior Alloy Steel for shackle body and pin
- Heat Treatment: Quenching and Tempering
- Safety Factor: Minimum Ultimate Load is 5 times the Working Load Limit
- Finish: Hot Dip Galvanized according to ASTM A153, Powder Coated or Self-Colored
- Certification: Material Certificates and Testing Certificates available when requested at the time of order
- Package: Packing available with Carton Box or Gunny Bag

Size (in.)	Working Load Limit (t)	Weight Each (kg)	Dimensions (mm)									Tolerance +/-
			A	B	C	D	E	F	H	L	G	
3/8	2	0.14	16.8	11	63	9.6	26.2	23.4	36	45.4	51	5%
7/16	2-2/3	0.2	19	12.7	73.9	11.2	29.5	27	41.4	51.9	60	5%
1/2	3-1/3	0.33	20.6	16	83.5	12.7	33	30	46	58.5	68	5%
5/8	5	0.62	27	19	106	16	42	39	59	74	87	5%
3/4	7	1.0	31.8	22.2	125	19	51	47	69.8	89	101	5%
7/8	9-1/2	1.6	36.6	25.4	147	22	58	54	80.6	102	117	5%
1	12-1/2	2.33	43	28.5	166	25	68	60	93	118	135.5	5%
1-1/8	15	3.05	46	31.7	185	28	74	66	102	130	146	5%
1-1/4	18	4.31	51.5	35.1	208	32	82	76	115.5	146	161	5%
1-3/8	21	5.98	57	38	228	35	89	84	127	159	172	5%
1-1/2	30	7.21	60.5	41.5	254	38	98	92	136.5	174	187	5%
1-3/4	40	12.7	73	50.8	303	45	127	109	163	217	220	5%
2	55	20.4	82.5	57.1	341	51	146	127	184.5	248	241	5%
2-1/2	85	38	105	69.8	455	66.5	179	150	235	321	316	5%
3	120	64	127	85	546	76	200	165	279	371	361	5%

G80 US TYPE SAFETY BOLT ANCHOR SHACKLE

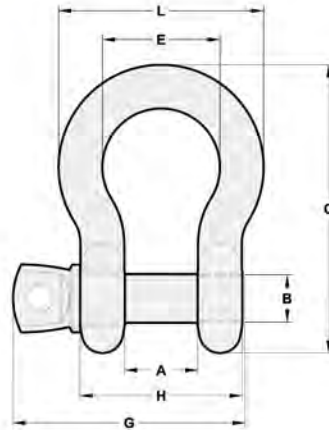


- Standard: Meets performance requirements of US Fed. Spec. RR-C271F Type IVA, Grade B
- Production Process: Drop Forged
- Material: Superior Alloy Steel for shackle body and pin
- Heat Treatment: Quenching and Tempering
- Safety Factor: Minimum Ultimate Load is 5 times the Working Load Limit
- Finish: Hot Dip Galvanized according to ASTM A153, Powder Coated or Self-Colored
- Certification: Material Certificates and Testing Certificates available when requested at the time of order
- Package: Packing available with Carton Box or Gunny Bag

Size (in.)	Working Load Limit (t)	Weight Each (kg)	Dimensions (mm)										Tolerance +/-
			A	B	C	D	E	F	H	K	L	P	
3/8	2	0.16	16.8	11	36.6	9.6	26.2	23.4	63	36	45.4	59.5	5%
7/16	2-2/3	0.22	19	12.7	43	11.2	29.5	27	73.9	41.4	51.9	65	5%
1/2	3-1/3	0.34	20.6	16	47	12.7	33	30	83.5	46	58.5	77.5	5%
5/8	5	0.68	27	19	60	16	42	39	106	59	74	97	5%
3/4	7	1.11	31.8	22.2	71	19	51	47	125	69.8	89	109	5%
7/8	9-1/2	1.66	36.6	25.4	84	22	58	54	147	80.6	102	123	5%
1	12-1/2	2.35	43	28.5	96	25	68	60	166	93	118	139	5%
1-1/8	15	3.22	46	31.7	107	28	74	66	185	102	130	149	5%
1-1/4	18	4.98	51.5	35.1	119	32	82	76	208	115.5	146	171	5%
1-3/8	21	6.36	57	38	131	35	89	84	228	127	159	186	5%
1-1/2	30	8.24	60.5	41.5	148	38	98	92	254	136.5	174	194	5%
1-3/4	40	14.29	73	50.8	177	45	127	109	303	163	217	238	5%
2	55	20.1	82.5	57.1	197	51	146	127	341	184.5	248	260	5%
2-1/2	85	43.6	105	69.8	264	69	184	150	443	234	314	326	5%
3	120	67	127	85	328	79	216	165	533	279	368	378	5%
3-1/2	150	113	133	95	371	92	229	203	632	323	432	425	5%
4	175	141	140	107	368	104	254	228	651	340	457	452	5%

⚠ WARNING Never exceed Working Load Limit

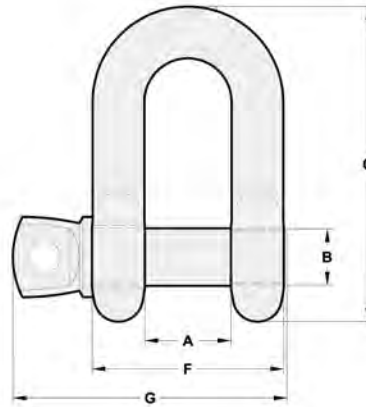
EN13889 SCREW PIN ANCHOR SHACKLE



- Standard: Meets EN13889 and US Fed. Spec. RR-C271F Type IVA, Grade A
- Production Process: Drop Forged
- Material: High Strength Steel for shackle body and pin
- Heat Treatment: Quenching and Tempering
- Safety Factor: Minimum Ultimate Load is 6 times the Working Load Limit
- Finish: Hot Dip Galvanized according to ASTM A153, Powder Coated or Self-Colored
- Certification: Material Certificates and Testing Certificates available when requested at the time of order
- Package: Packing available with Carton Box or Gunny Bag

Size (in.)	Working Load Limit (t)	Weight Each (lbs.)	Dimensions (in.)									Tolerance +/-
			A	B	C	D	E	F	H	L	G	
3/16	0.33	0.03	9.7	6.3	37.3	4.8	15.2	14.2	19.3	24.8	29.2	5%
1/4	0.5	0.05	11.9	8	46.7	6.4	19.8	15.7	24.7	32.6	37	5%
5/16	0.75	0.09	13.5	9.5	53	7.9	21.3	19	29.3	37.3	43.4	5%
3/8	1	0.14	16.8	11	63	9.6	26.2	23.4	36	45.4	51	5%
7/16	1.5	0.2	19	12.7	73.9	11.2	29.5	27	41.4	51.9	60	5%
1/2	2	0.33	20.6	16	83.5	12.7	33	30	46	58.5	68	5%
5/8	3.25	0.62	27	19	106	16	42	39	59	74	87	5%
3/4	4.75	1	31.8	22.2	125	19	51	47	69.8	89	101	5%
7/8	6.5	1.6	36.6	25.1	147	22	58	54	80.6	102	117	5%
1	8.5	2.33	43	28.5	166	25	68	60	93	118	135.5	5%
1-1/8	9.5	3.05	46	31.7	185	28	74	66	102	130	146	5%
1-1/4	12	4.31	51.5	35.1	208	32	82	76	115.5	146	161	5%
1-3/8	13.5	5.98	57	38	228	35	89	84	127	159	172	5%
1-1/2	17	7.21	60.5	41.5	254	38	98	92	136.5	174	187	5%
1-3/4	25	12.7	73	50.8	303	45	127	109	163	217	220	5%
2	35	20.4	82.5	57.1	341	51	146	127	184.5	248	241	5%
2-1/4	42.5	29	95	63	382	57	160	143	209	274	295	5%
2-1/2	55	38	105	69.8	456	66.5	179	150	235	321	316	5%
3	85	64	127	85	546	76	200	165	379	371	361	5%

EN13889 SCREW PIN CHAIN SHACKLE

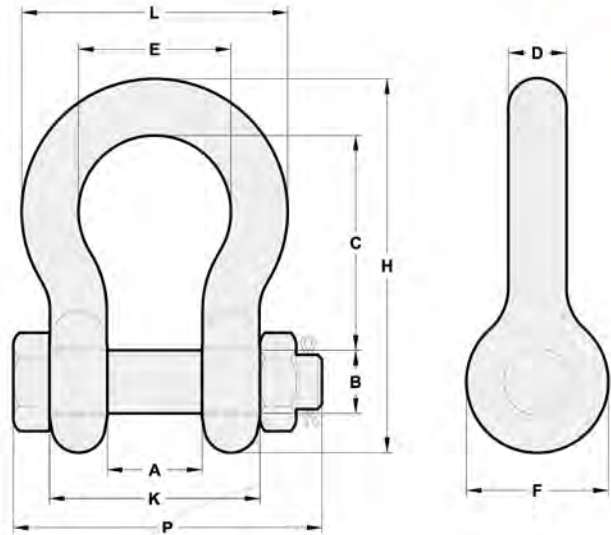


- Standard: Meets EN13889 and US Fed. Spec. RR-C271F Type IVA, Grade A
- Production Process: Drop Forged
- Material: High Strength Steel for shackle body and pin
- Heat Treatment: Quenching and Tempering
- Safety Factor: Minimum Ultimate Load is 6 times the Working Load Limit
- Finish: Hot Dip Galvanized according to ASTM A153, Powder Coated or Self-Colored
- Certification: Material Certificates and Testing Certificates available when requested at the time of order
- Package: Packing available with Carton Box or Gunny Bag

Size (in.)	Working Load Limit (t)	Weight Each (lbs.)	Dimensions (in.)							Tolerance +/-
			A	B	C	D	E	F	G	
3/16	0.33	0.03	9.5	6.3	37	5	14.5	19.5	29.2	5%
1/4	0.5	0.05	11.9	8	40.4	6.4	15.7	24.7	37	5%
5/16	0.75	0.08	13.5	9.5	48.5	7.9	19	29.3	43.4	5%
3/8	1	0.13	16.8	11	58.7	9.6	23.4	36	51	5%
7/16	1.5	0.2	19	12.7	67.8	11.2	27	41.4	60	5%
1/2	2	0.27	20.6	16	77	12.7	30	46	68	5%
5/8	3.25	0.57	27	19	96	16	39	59	87	5%
3/4	4.75	1.2	31.8	22.2	114	19	47	69.8	101	5%
7/8	6.5	1.43	36.6	25.4	134	22	54	80.6	117	5%
1	8.5	2.15	43	28.5	152	25	60	93	135.5	5%
1-1/8	9.5	3.06	46	31.7	168	28	66	102	146	5%
1-1/4	12	4.11	51.5	35.1	189	32	76	115.5	161	5%
1-3/8	13.5	5.28	57	38	208	35	84	127	172	5%
1-1/2	17	7.23	60.5	41.5	230	38	92	136.5	187	5%
1-3/4	25	12.1	73	50.8	272	45	109	163	220	5%
2	35	19.2	82.5	57.1	314	51	127	184.5	241	5%
2-1/4	42.5	26.6	95	63	342	57	143	209	295	5%
2-1/2	55	32.5	105	69.8	378	65	150	235	326	5%
3	85	54	127	85	417.5	76	165	279	381	5%

WARNING Never exceed Working Load Limit

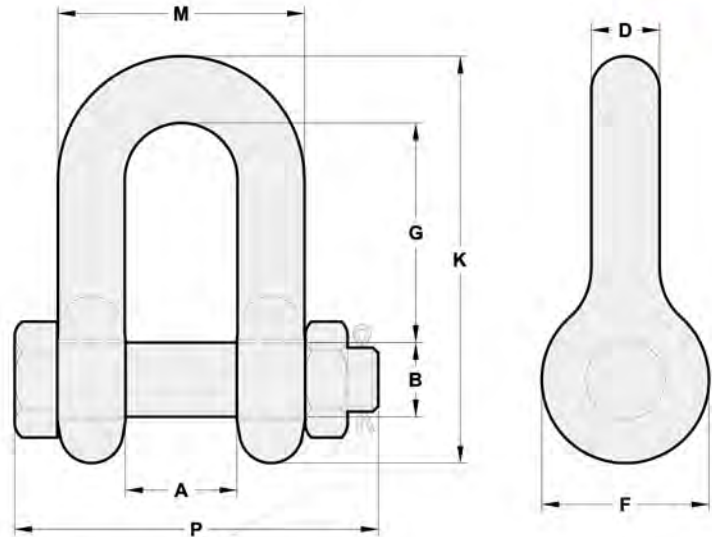
EN13889 SAFETY BOLT ANCHOR SHACKLE



- Standard: Meets EN13889 and US Fed. Spec. RR-C271F Type IVA, Grade A
- Production Process: Drop Forged
- Material: High Strength Steel for shackle body and pin
- Heat Treatment: Quenching and Tempering
- Safety Factor: Minimum Ultimate Load is 6 times the Working Load Limit
- Finish: Hot Dip Galvanized according to ASTM A153, Powder Coated or Self-Colored
- Certification: Material Certificates and Testing Certificates available when requested at the time of order
- Package: Packing available with Carton Box or Gunny Bag

Size (in.)	Working Load Limit (t)	Weight Each (kg)	Dimensions (mm)										Tolerance +/-
			A	B	C	D	E	F	H	K	L	P	
1/4	0.5	0.048	11.9	8	28.7	6.4	19.8	15.7	46.7	24.7	32.6	42	5%
5/16	0.75	0.1	13.5	9.5	31	7.9	21.3	19	53	29.3	37.3	49	5%
3/8	1	0.16	16.8	11.1	36.6	9.6	26.2	23.4	63	36	45.4	59.5	5%
7/16	1.5	0.22	19	12.7	43	11.2	29.5	27	73.9	41.4	51.9	65	5%
1/2	2	0.34	20.6	16	47	12.7	33	30	83.5	46	58.5	77.5	5%
5/8	3.25	0.68	27	19	60	16	42	39	106	59	74	97	5%
3/4	4.75	1.11	31.8	22.1	71	19	51	47	125	69.8	89	109	5%
7/8	6.5	1.66	36.6	25.1	84	22	58	54	147	80.6	102	123	5%
1	8.5	2.35	43	28.1	96	25	68	60	166	93	118	139	5%
1-1/8	9.5	3.22	46	31.7	107	28	74	66	185	102	130	149	5%
1-1/4	12	4.98	51.5	35.1	119	32	82	76	208	115.5	146	171	5%
1-3/8	13.5	6.36	57	38	131	35	89	84	228	127	159	186	5%
1-1/2	17	8.24	60.5	41.5	148	38	98	92	254	136.5	174	194	5%
1-3/4	25	14.29	73	50.8	177	45	127	109	303	163	217	228	5%
2	35	20.1	82.5	57.1	197	51	146	127	341	184.5	248	260	5%
2-1/4	42.5	31.4	95	63	221	57	160	143	383	209	274	302	5%
2-1/2	55	43.6	105	69.8	264	66.5	184	150	455	235	321	328	5%
3	85	67	127	85	328	76	200	165	546	279	371	378	5%
3-1/2	120	113	133	95	371	92	229	203	632	323	432	425	5%
4	150	141	140	107	368	104	254	228	651.5	340	457	452	5%

EN13889 SAFETY BOLT CHAIN SHACKLE

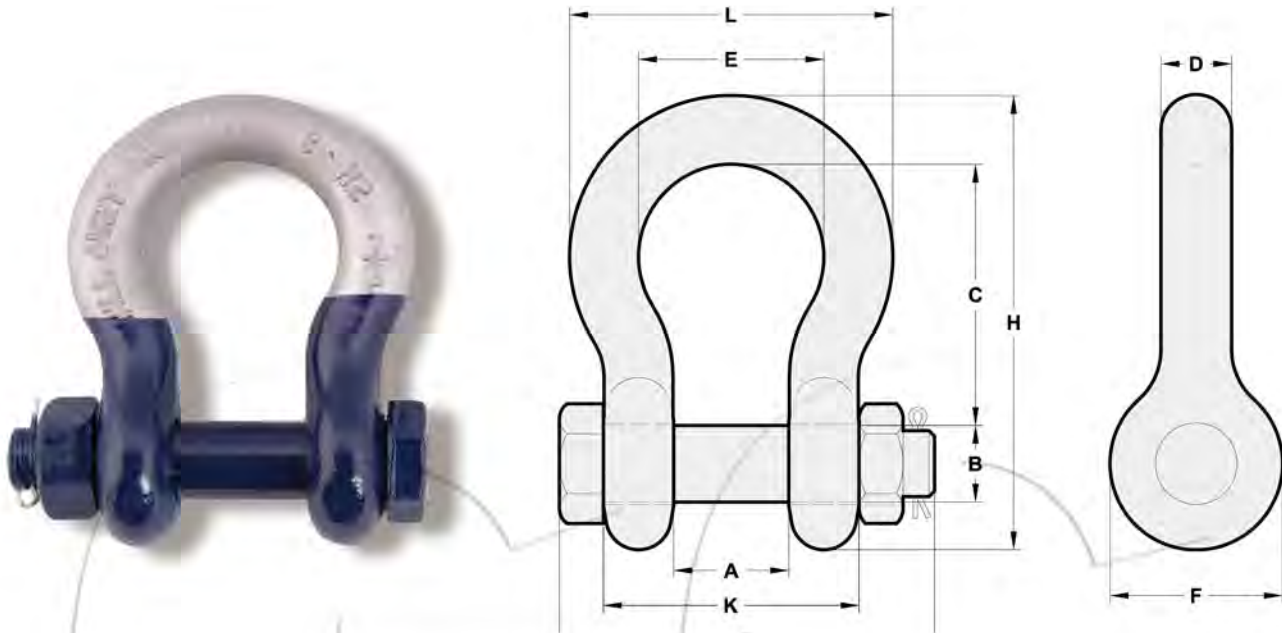


- Standard: Meets EN13889 and US Fed. Spec. RR-C271F Type IVA, Grade A
- Production Process: Drop Forged
- Material: High Strength Steel for shackle body and pin
- Heat Treatment: Quenching and Tempering
- Safety Factor: Minimum Ultimate Load is 6 times the Working Load Limit
- Finish: Hot Dip Galvanized according to ASTM A153, Powder Coated or Self-Colored
- Certification: Material Certificates and Testing Certificates available when requested at the time of order
- Package: Packing available with Carton Box or Gunny Bag

Size (in.)	Working Load Limit (t)	Weight Each (lbs.)	Dimensions (in.)								Tolerance +/-
			A	B	D	F	M	G	K	P	
3/8	1	0.15	16.8	11.1	9.6	23.4	36	32.5	58.7	59.5	5%
7/16	1.5	0.19	19	12.7	11.2	27	41.4	37.6	67.8	65	5%
1/2	2	0.33	20.6	16	12.7	30	46	40.7	77	77.5	5%
5/8	3.25	0.67	27	19	16	39	59	50	96	97	5%
3/4	4.75	1.05	31.8	22.1	19	47	69.8	59.5	114	109	5%
7/8	6.5	1.55	36.6	25.1	22	54	80.6	71.5	134	123	5%
1	8.5	2.2	43	28.1	25	60	93	82	152	139	5%
1-1/8	9.5	2.9	46	31.7	28	66	102	90	168	149	5%
1-1/4	12	4.43	51.5	35.1	32	76	115.5	100	189	171	5%
1-3/8	13.5	6.24	57	38	35	84	127	111	208	186	5%
1-1/2	17	7.74	60.5	41.5	38	92	136.5	124	230	194	5%
1-3/4	25	12.6	73	50.8	45	109	163	145.5	272	238	5%
2	35	18.45	82.5	57.1	51	127	184.5	169.5	314	260	5%
2-1/4	42.5	28.9	95	63	57	143	209	181	342	302	5%
2-1/2	55	38.6	105	69.8	65	150	235	201	378	328	5%
3	85	56	127	73	71	157	160	243	383	409	5%

⚠ WARNING Never exceed Working Load Limit

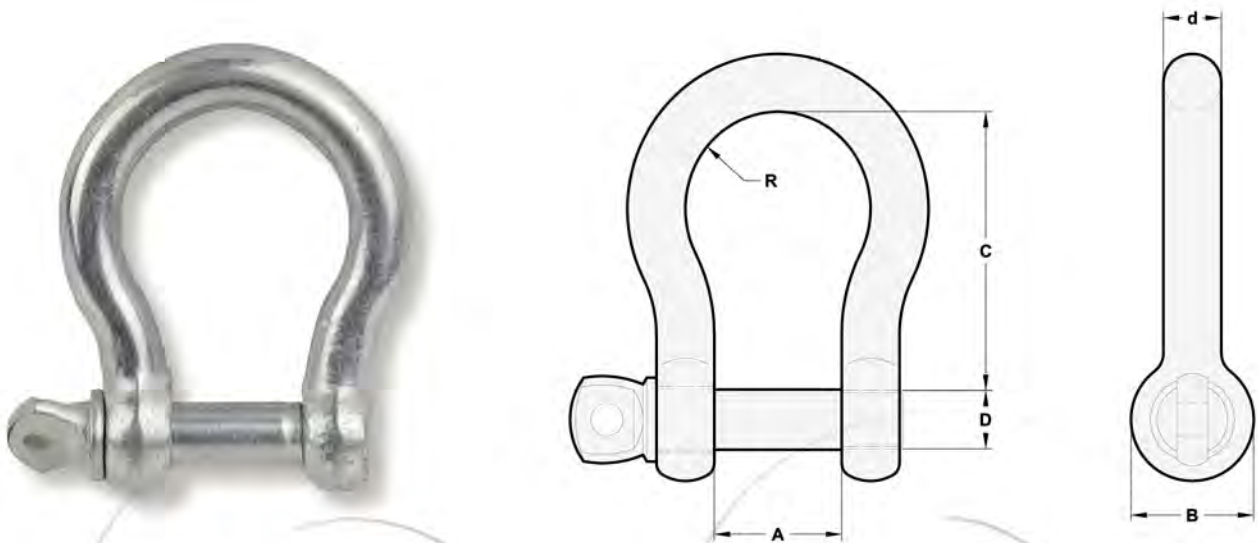
EN13889 SUPER POLAR SAFETY BOLT ANCHOR SHACKLE



- Standard: Meets EN13889 and US Fed. Spec. RR-C271F Type IVA, Grade B
- Production Process: Drop Forged
- Material: Super Superior Alloy Steel for shackle body and pin
- Heat Treatment: Quenching and Tempering
- Safety Factor: Minimum Ultimate Load is 8 times the Working Load Limit (55tons and 85 tons,the safety factor is 7 times of working load limit)
- Finish: Hot Dip Galvanized according to ASTM A153, Powder Coated or Self-Colored
- Certification: Material Certificates and Testing Certificates available when requested at the time of order
- Package: Packing available with Carton Box or Gunny Bag

Size (in.)	Working Load Limit (t)	Weight Each (kg)	Dimensions (mm)										Tolerance +/-
			A	B	C	D	E	F	H	K	L	P	
1/2	2	0.34	20.6	16	47	12.7	33.1	30	83.5	46	58.5	77.5	5%
5/8	3.25	0.68	27	19	60	16	42	39	106	59	74	97	5%
3/4	4.75	1.11	31.8	22.1	71	19	51	47	125	69.8	89	109	5%
7/8	6.5	1.66	36.6	25.1	84	22	58	54	147	80.6	102	123	5%
1	8.5	2.35	43	28.1	96	25	68	60	166	93	118	139	5%
1-1/8	9.5	3.22	46	31.7	107	28	74	66	185	102	130	149	5%
1-1/4	12	4.98	51.5	35.1	119	32	82	76	208	115.5	146	171	5%
1-3/8	13.5	6.36	57	38	131	35	89	84	228	127	159	186	5%
1-1/2	17	8.24	60.5	41.5	148	38	98	92	254	136.5	174	194	5%
1-3/4	25	14.29	73	50.8	177	45	127	109	303	163	217	238	5%
2	35	20.1	82.5	57.1	197	51	146	127	341	184.5	248	260	5%
2-1/4	42.5	31.4	95	63	221	57	160	143	383	209	274	302	5%
2-1/2	55	43.6	105	69.8	264	66.5	184	150	455	235	321	328	5%
3	85	67	127	85	328	76	200	165	546	279	371	378	5%

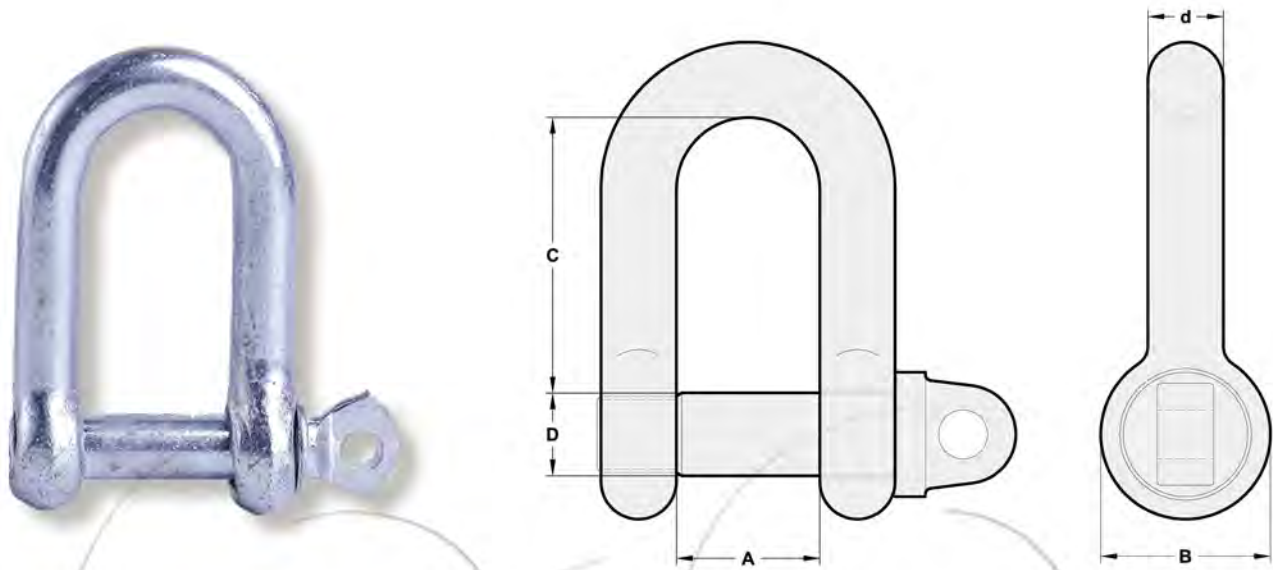
EUROPEAN BOW TYPE COMMERCIAL SHACKLE



- Production Process: Upset Forging
- Material: Carbon Steel for Shackle Body and Pin
- Safety Factor: 4:1
- Finish: Hot Dip Galvanized or Electro-galvanized
- Certification: Material Certificates and Testing Certificates available when requested at the time of order
- Package: Packing available with Carton Box or Gunny Bag

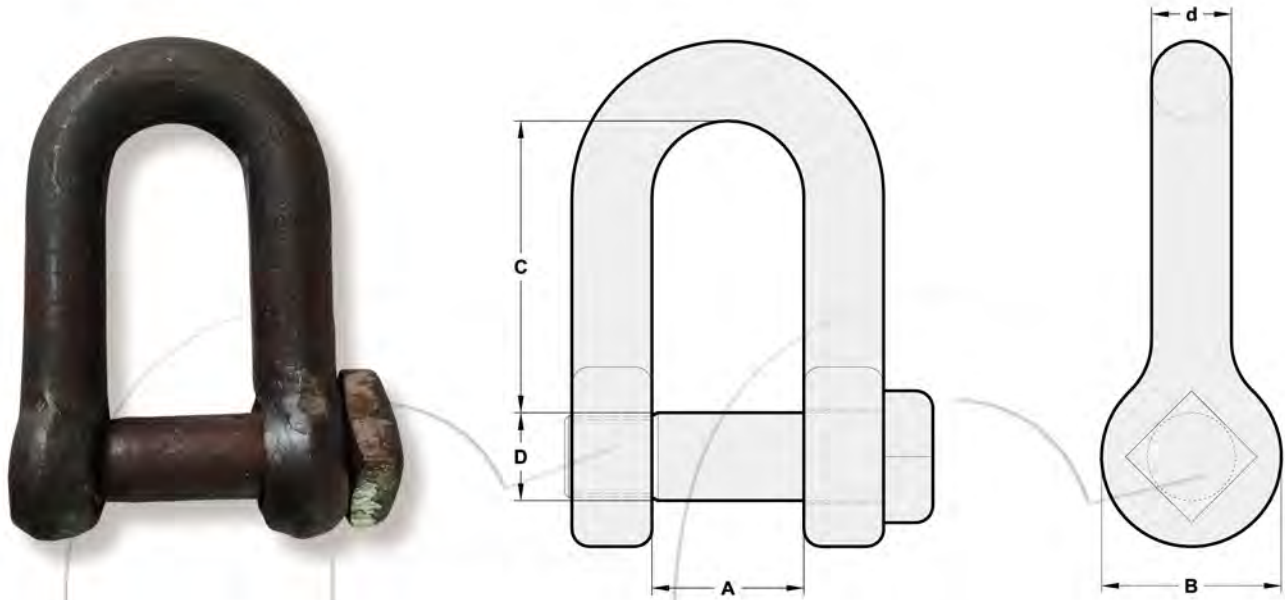
Size (d)	Working Load Limit (t)	Dimensions (mm)					Weight (kg/pc)
		A	B	C	D	R	
5	80	10	11	19	5	8	0.019
6	100	13	14	25	6	10	0.034
8	200	16	18	32	8	12	0.07
10	320	19	20	38	10	16	0.13
12	520	25	26	51	12	19	0.26
16	800	32	33	64	16	28	0.5
20	1100	38	40	76	20	33	0.8
22	1500	44	50	89	22	37	1.3
25	2100	51	57	100	25	40	2
28	3000	57	68	115	28	47	3.1
32	3500	64	73	127	32	52	4.3
38	5000	76	85	152	38	63	7
45	7000	90	96	180	45	75	12.5
50	8000	102	108	200	50	78	17.5

EUROPEAN DEE TYPE COMMERCIAL SHACKLE



- Production Process: Upset Forging
- Material: Carbon Steel for Shackle Body and Pin
- Safety Factor: 4:1
- Finish: Hot Dip Galvanized or Electro-galvanized
- Certification: Material Certificates and Testing Certificates available when requested at the time of order
- Package: Packing available with Carton Box or Gunny Bag

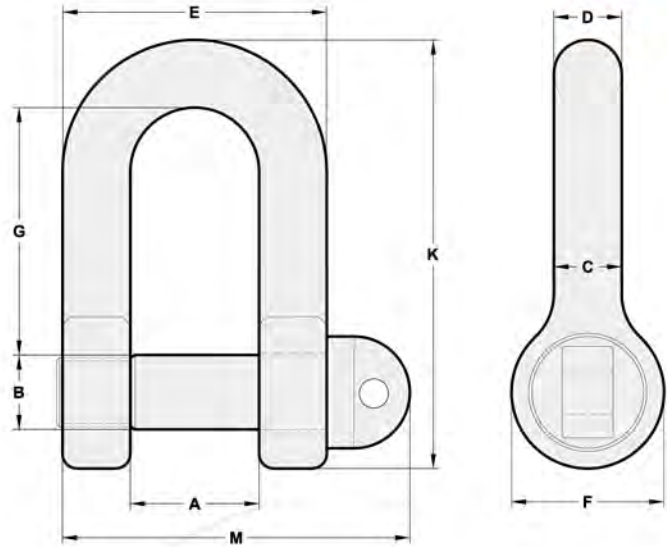
Size (d)	Working Load Limit (t)	Dimensions (mm)				Weight (kg/pc)
		A	B	C	D	
5	80	11	10	19	5	0.019
6	100	14	13	25	6	0.034
8	200	18	16	32	8	0.07
10	320	20	19	38	10	0.13
12	520	26	25	51	12	0.24
16	800	33	32	64	16	0.5
20	1100	40	38	76	20	0.8
22	1500	50	44	89	22	1.3
25	2100	57	51	100	25	2
28	3000	68	57	115	28	3
32	3500	73	64	127	32	4.3
38	5000	85	76	152	38	6.75
45	7000	96	90	180	45	12.5
50	8000	108	102	200	50	17.5



- Production Process: Upset Forging
- Material: Carbon Steel for Shackle Body and Pin
- Safety Factor: 4:1
- Finish: Hot Dip Galvanized or Electrogalvanized
- Certification: Material Certificates and Testing Certificates available when requested at the time of order
- Package: Packing available with Carton Box or Gunny Bag

Size (d)	Working Load Limit (t)	Dimensions (mm)				Weight (kg/pc)
		A	B	C	D	
8	0.2	16	18	32	8	0.07
10	0.3	20	20	38	10	0.134
12	0.5	25	26	51	12	0.25
16	0.8	32	33	63	16	0.53
20	1.1	38	40	76	20	0.92
22	1.5	45	50	88	22	1.4
25	2	51	57	102	25	2.15
28	2.6	57	68	114	28	3
32	3.8	63	73	127	32	4.55
38	4.5	76	85	152	38	7.6

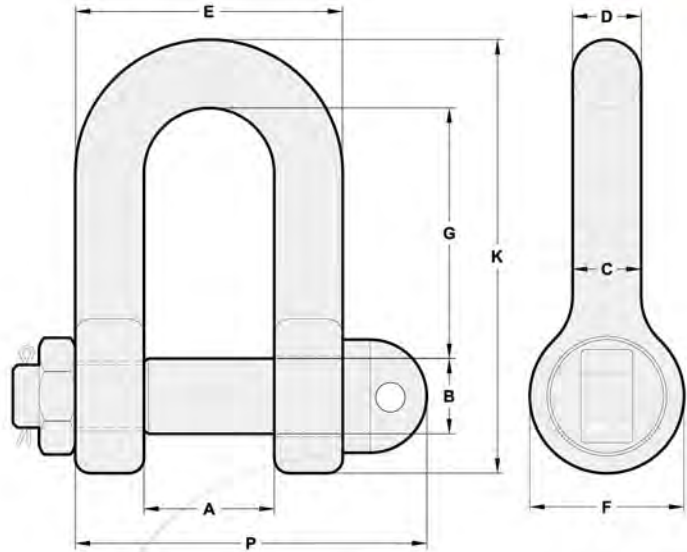
DIN82101 SHACKLE, TYPE C



- Production Process: Drop Forged
- Material: Carbon Steel for Shackle Body and Pin
- Safety Factor: 5:1
- Finish: Hot Dip Galvanized or Electroplated
- Certification: Material Certificates and Testing Certificates available when requested at the time of order
- Package: Packing available with Carton Box or Gunny Bag

Size	Working Load Limit (t)	Weight Each (kg)	Dimensions (mm)									Tolerance +/-
			A	B	C	D	E	F	G	K	M	
M5	0.1	0.013	7	5	4	5	15	10	15	28	23	5%
M6	0.16	0.021	8	6	5	6	18	12	18	33	26.5	5%
M8	0.25	0.048	11	8	7	8	25	16	23.5	44	33.5	5%
M10	0.4	0.083	14	10	8	10	30	20	29.5	55	41	5%
M12	0.6	0.156	17	12	10	12	37	24	35.5	66	50	5%
M16	1	0.33	21	16	13	15	47	32	48.5	88	62	5%
M20	1.6	0.71	27	20	17	19	61	40	60.5	110	82	5%
M22	2	0.94	30	22	19	21	68	44	66.5	121	90	5%
M24	2.5	1.35	33	24	21	23	75	48	72.5	132	99	5%
M27	3	1.89	38	27	24	26	86	54	83	150	115	5%
M30	4	2.53	42	30	27	29	96	60	90.5	165	125	5%
M36	5	4	47	36	30	33	107	72	110.5	198	139	5%
M39	6	5.1	53	39	34	37	121	78	119	215	154.5	5%
M45	8	7.92	60	45	38	41	136	90	138.5	248	175.5	5%
M48	10	9.87	66	48	42	45	150	96	146	264	195	5%
M52	12	13.68	73	52	47	50	167	104	157	286	211	5%
M60	16	20.23	81	60	52	55	185	120	183.5	330	232	5%
M68	20	28.51	90	68	58	61	206	136	209.5	374	259	5%
M72	25	33.93	100	72	63	67	226	144	219.5	396	284	5%

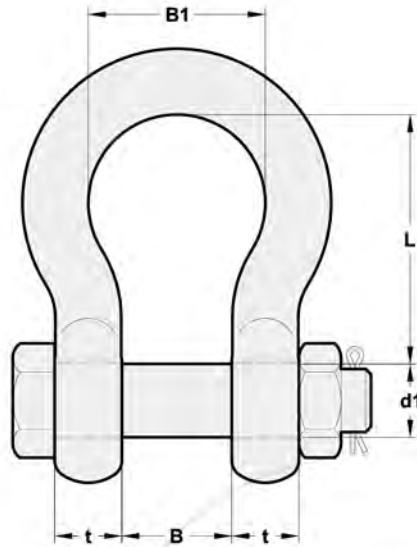
DIN82101 SHACKLE, TYPE C



- Production Process: Drop Forged
- Material: Carbon Steel for Shackle Body and Pin
- Safety Factor: 5:1
- Finish: Hot Dip Galvanized or Electroplated
- Certification: Material Certificates and Testing Certificates available when requested at the time of order
- Package: Packing available with Carton Box or Gunny Bag

Size	Working Load Limit (t)	Weight Each (kg)	Dimensions (mm)									Tolerance +/-
			A	B	C	D	E	F	G	K	P	
M10	0.4	0.097	14	10	8	10	30	20	29.5	55	58	5%
M12	0.6	0.181	17	12	10	12	37	24	35.5	66	68	5%
M16	1	0.369	21	16	13	15	47	32	48.5	88	81	5%
M20	1.6	0.788	27	20	17	19	61	40	60.5	110	104	5%
M22	2	1.01	30	22	19	21	68	44	66.5	121	115	5%
M24	2.5	1.458	33	24	21	23	75	48	72.5	132	127	5%
M27	3	2.047	38	27	24	26	86	54	83	150	145	5%
M30	4	2.72	42	30	27	29	96	60	90.5	165	156	5%
M36	5	4.2	47	36	30	33	107	72	110.5	198	172	5%
M39	6	5.66	53	39	34	37	121	78	119	215	189	5%
M45	8	8.45	60	45	38	41	136	90	138.5	248	211	5%
M48	10	10.8	66	48	42	45	150	96	146	264	240	5%
M52	12	14.23	73	52	47	50	167	104	157	286	254	5%
M60	16	21.93	81	60	52	55	185	120	183.5	330	285	5%
M68	20	31.18	90	68	58	61	206	136	209.5	374	316	5%
M72	25	36.73	100	72	63	67	226	144	219.5	396	341	5%
M80	32	50	110	80	70	74	250	160	244.5	440	369	5%
M90	40	71	125	90	79	84	283	180	274	495	409	5%
M100	50	97.08	140	100	88	93	316	200	307	550	462	5%

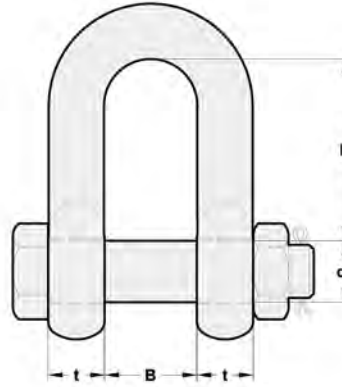
JIS SHACKLE, TYPE BB



- Standard: Meet JIS BB Type
- Production Process: Drop Forged
- Material: Carbon Steel for Shackle Body and Pin
- Safety Factor: 4:1
- Finish: Hot Dip Galvanized or Electroplated
- Certification: Material Certificates and Testing Certificates available when requested at the time of order
- Package: Packing available with Carton Box or Gunny Bag

Size	Working Load Limit (t)	Dimensions (mm)							Tolerance +/-
		t	d	B	B1	D	d1	L	
BB24	3.6	24	28	39	70	62	30	110.5	5%
BB26	4.2	26	30	41	75	66	32	118.5	5%
BB28	4.8	28	32	43	80	70	34	126.5	5%
BB30	5.4	30	34	45	85	75	36	134.5	5%
BB32	6.2	32	37	48	93	80	38	147.5	5%
BB34	7	34	39	50	98	85	40	155.5	5%
BB36	8	36	42	54	105	90	42	168.5	5%
BB38	9	38	44	57	110	95	46	174.5	5%
BB40	10	40	47	60	118	100	48	187.5	5%
BB42	11	42	49	63	123	105	51	190.5	5%
BB44	12	44	51	66	128	110	54	202	5%
BB46	13	46	53	68	133	115	56	211	5%
BB48	14	48	55	72	138	120	58	218	5%
BB50	15	50	57	75	143	125	60	226	5%
BB55	18	55	62	83	155	138	65	246.5	5%
BB60	22	60	69	90	178	150	70	274	5%
BB65	26	65	75	98	188	164	77	298.5	5%
BB70	30	70	81	105	202	178	83	317.5	5%
BB75	35	75	87	112	218	192	90	341	5%
BB80	40	80	93	120	232	206	96	365	5%

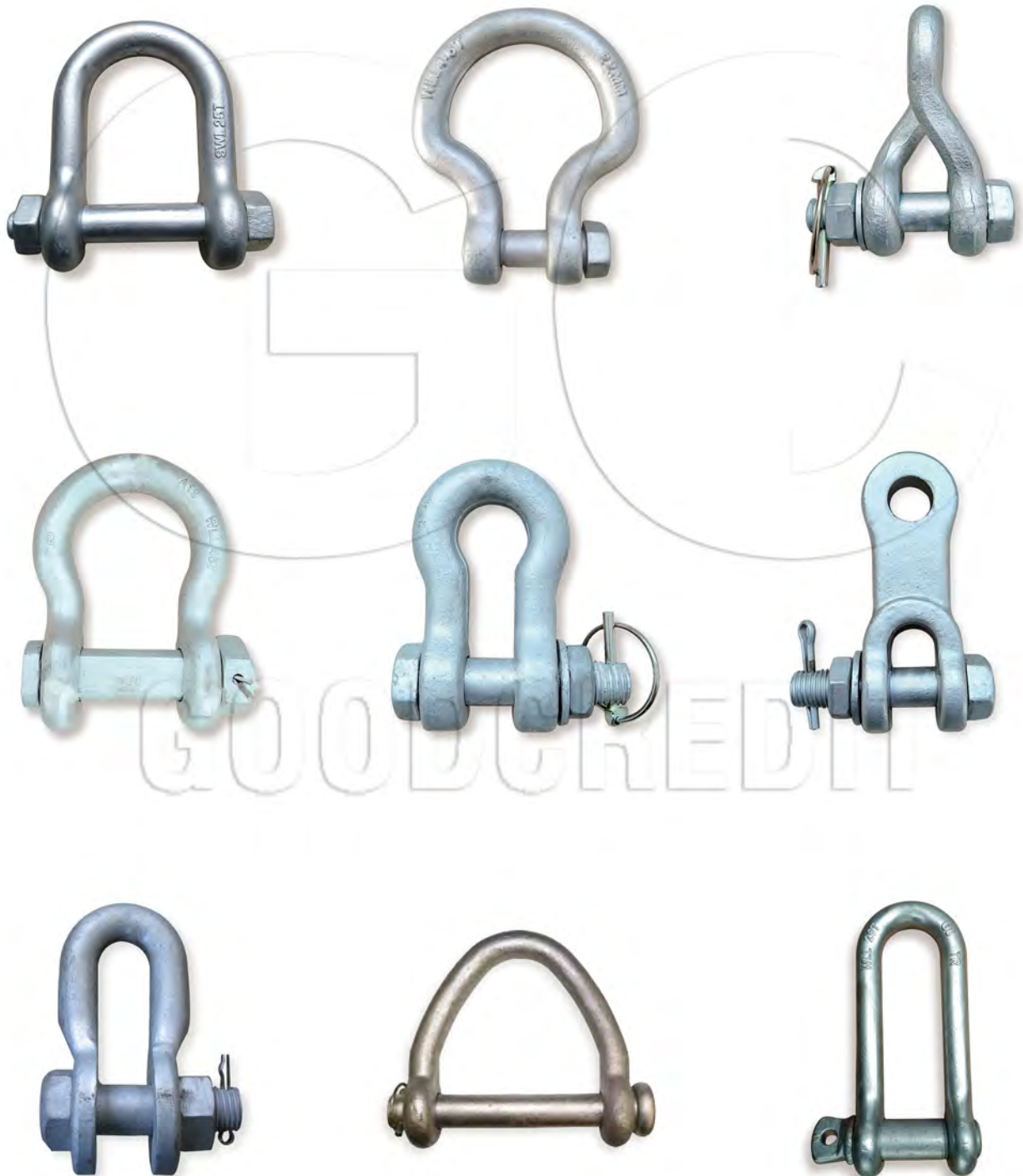
JIS SHACKLE, TYPE SB



- Standard: Meet JIS SB Type
- Production Process: Drop Forged
- Material: Carbon Steel for Shackle Body and Pin
- Safety Factor: 4:1
- Finish: Hot Dip Galvanized or Electroplated
- Certification: Material Certificates and Testing Certificates available when requested at the time of order
- Package: Packing available with Carton Box or Gunny Bag

Size	Working Load Limit (t)	Dimensions (mm)						Tolerance +/-
		t	d	B	D	d1	L	
SB20	2.5	20	20	31	50	24	67.5	5%
SB22	3	22	22	34	55	26	103	5%
SB24	3.6	24	24	39	62	30	110.3	5%
SB26	4.2	26	26	41	66	32	118.5	5%
SB28	4.8	28	28	43	70	34	126.5	5%
SB30	5.4	30	30	45	75	36	134.5	5%
SB32	6.2	32	32	48	80	38	147.5	5%
SB34	7	34	34	50	85	39.5	155.5	5%
SB36	8	36	36	54	90	41.5	168.5	5%
SB38	9	38	38	57	95	46	174.5	5%
SB40	10	40	40	60	100	48	187.5	5%
SB42	11	42	42	63	105	51	190.5	5%
SB44	12	44	44	66	110	54	202	5%
SB46	13	46	46	68	115	56	211	5%
SB48	14	48	48	72	120	58	218	5%
SB50	15	50	50	75	125	60	226	5%
SB55	18	55	55	83	138	65	246.5	5%
SB60	22	60	60	90	150	70	274	5%
SB65	26	65	65	98	164	77	298.5	5%
SB70	30	70	70	105	178	83	317.5	5%
SB75	35	75	75	112	192	90	341	5%
SB80	40	80	80	120	206	96	365	5%
SB85	45	85	85	128	220	102	388	5%
SB90	50	90	90	135	232	108	418	5%

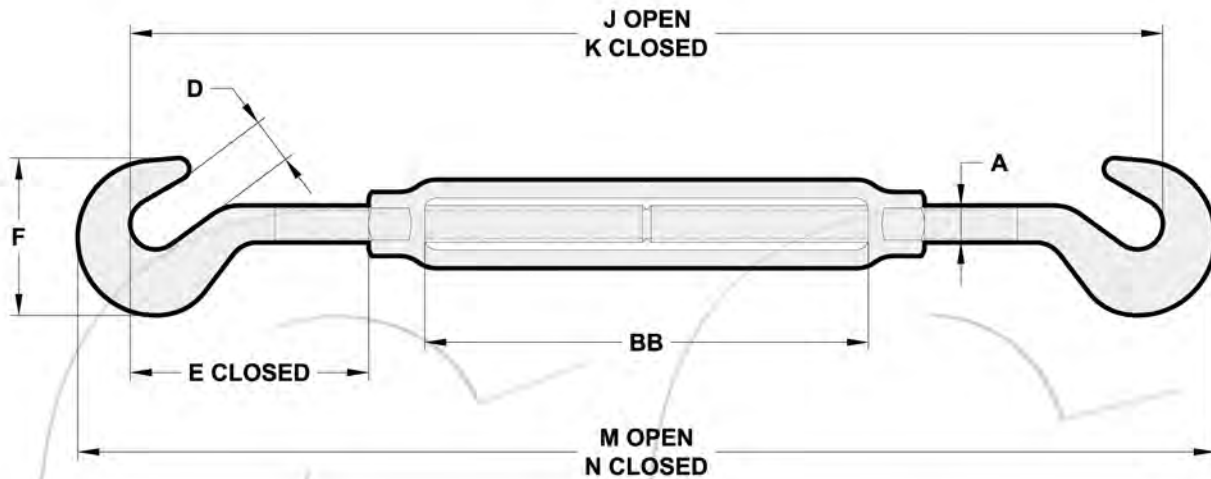
If you are in need of other types
not listed in our catalogue
please contact our sales department.







US TYPE FORGED TURNBUCKLE WITH HOOK & HOOK

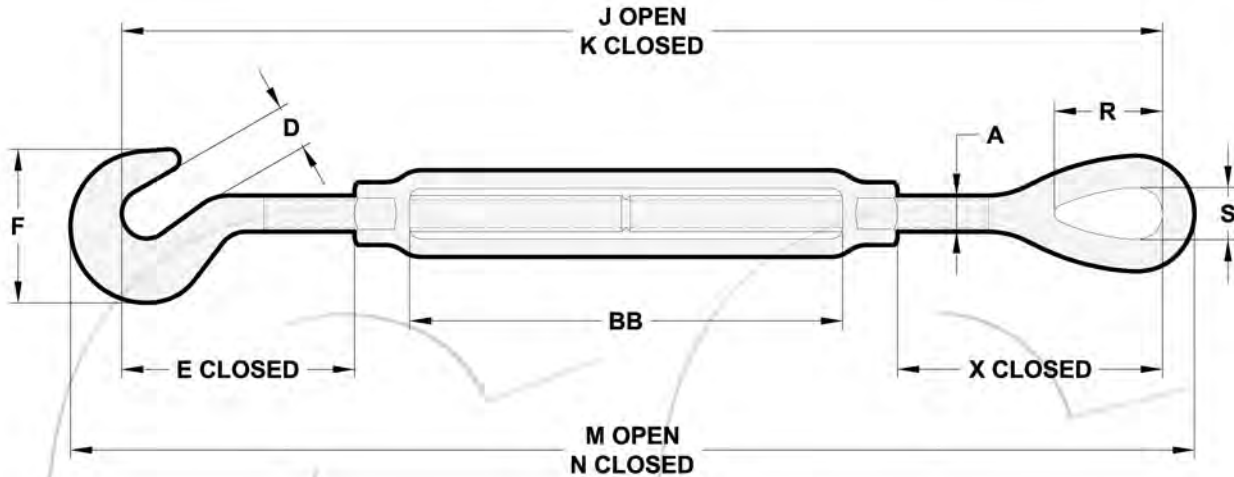


- Meet Performance requirements of US Fed. Spec. FF-T-791b, Type 1, Form 1, Class 5 and ASTM F-1145
- Material: Carbon 1045 Steel
- Ultimate Load at 5 Times the Working Load Limit
- Finish: Hot Dip Galvanized according to ASTM A153
- Packing available with Carton Box or Gunny Bag

Thread Dia. & Take Up (in)	Working Load Limit (lbs)	Weight Each (lbs)	Dimensions (in)								
			A	D	E Closed	F	J Open	K Closed	M Open	N Closed	BB
1/4 x 4	400	0.3	0.25	0.45	1.59	1.27	11.12	7.12	11.94	7.94	4
5/16 x 4-1/2	700	0.47	0.31	0.50	1.94	1.5	12.81	8.31	13.81	9.31	4.5
3/8 x 6	1000	0.78	0.38	0.56	2.3	1.77	16.5	10.5	17.72	11.72	6
1/2 x 6	1500	1.6	0.50	0.65	2.94	2.28	18.82	11.82	20.38	13.38	6
1/2 x 12	1500	2.28	0.50	0.65	2.94	2.28	30.82	17.82	32.38	19.38	12
5/8 x 6	2250	2.75	0.63	0.90	3.69	2.81	20.5	13.25	22.5	15.25	6
5/8 x 12	2250	3.5	0.63	0.90	3.69	2.81	32.5	19.25	34.5	21.25	12
3/4 x 6	3000	3.89	0.75	0.98	4.52	3.33	22.38	14.88	24.78	17.28	6
3/4 x 12	3000	5.43	0.75	0.98	4.52	3.33	34.38	20.88	36.78	23.28	12
3/4 x 18	3000	8.12	0.75	0.98	4.52	3.33	46.38	26.88	48.78	29.28	18
7/8 x 12	4000	8.1	0.88	1.13	5.19	3.78	36	22.25	38.75	25.00	12
1 x 12	5000	11.93	1.00	1.25	5.84	4.25	37.63	23.63	40.69	26.69	12
1 x 18	5000	14	1.00	1.25	5.84	4.25	49.63	29.63	52.69	32.69	18
1 x 24	5000	17.25	1.00	1.25	5.84	4.25	61.63	35.63	64.69	38.69	24
1 -1/4 x 12	6500	20.58	1.25	1.50	7.22	5.13	40.44	25.94	44.06	29.56	12
1 -1/4 x 18	6500	23	1.25	1.50	7.22	5.13	52.44	31.94	56.06	35.56	18
1 -1/4 x 24	6500	27	1.25	1.50	7.22	5.13	64.44	37.94	68.06	41.56	24
1 -1/2 x 12	7500	27.5	1.5	1.88	8.34	5.75	43.94	28.94	47.44	32.44	12
1 -1/2 x 18	7500	31	1.5	1.88	8.34	5.75	55.96	34.94	59.44	38.44	18
1 -1/2 x 24	7500	37.5	1.5	1.88	8.34	5.75	67.94	40.94	71.44	44.44	24

⚠ WARNING Never exceed Working Load Limit

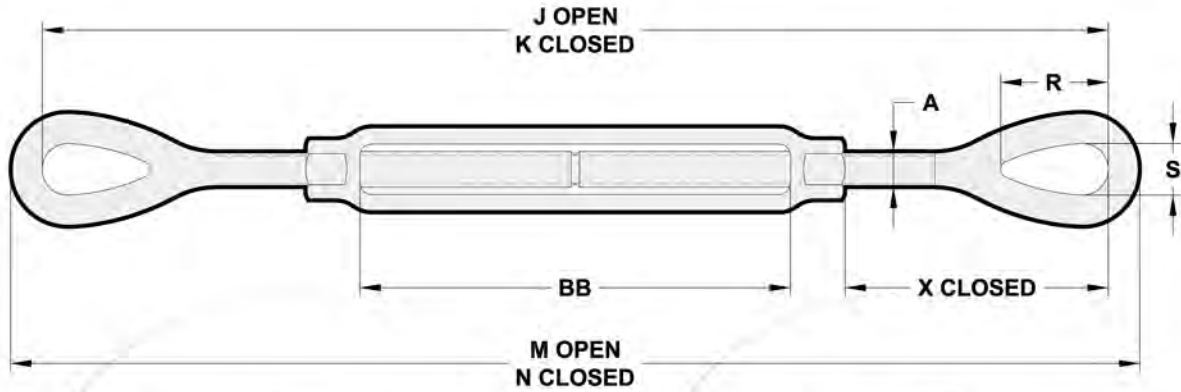
US TYPE FORGED TURNBUCKLE WITH HOOK & EYE



- Meet Performance requirements of US Fed. Spec. FF-T-791b, Type 1, Form 1, Class 5 and ASTM F-1145
- Material: Carbon 1045 Steel
- Ultimate Load at 5 Times the Working Load Limit
- Finish: Hot Dip Galvanized according to ASTM A153
- Packing available with Carton Box or Gunny Bag

Thread Dia. & Take Up (in)	Working Load Limit (lbs)	Weight Each (lbs)	Dimensions (in)											
			A	D	E Closed	F	J Open	K Closed	M Open	N Closed	R	S	X Closed	BB
1/4 x 4	400	0.29	0.25	0.45	1.59	1.27	11.46	7.46	12.09	8.09	0.78	0.34	1.75	4
5/16 x 4-1/2	700	0.49	0.31	0.50	1.94	1.5	13.19	8.69	13.47	9.47	0.94	0.44	2.09	4.5
3/8 x 6	1000	0.78	0.38	0.56	2.3	1.77	16.98	10.98	17.94	11.94	1.12	0.53	2.52	6
1/2 x 6	1500	1.61	0.50	0.65	2.94	2.28	19.45	12.45	20.67	13.67	1.44	0.72	3.23	6
1/2 x 12	1500	2.26	0.50	0.65	2.94	2.28	31.45	18.45	32.67	19.67	1.44	0.72	3.23	12
5/8 x 6	2250	2.70	0.63	0.90	3.69	2.81	21.96	13.96	22.72	15.47	1.75	0.88	3.9	6
5/8 x 12	2250	3.78	0.63	0.90	3.69	2.81	33.21	19.96	34.72	21.47	1.75	0.88	3.9	12
3/4 x 6	3000	3.89	0.75	0.98	4.52	3.33	23.13	15.63	24.95	17.45	2.09	1	4.69	6
3/4 x 12	3000	5.83	0.75	0.98	4.52	3.33	35.13	21.63	36.95	23.45	2.09	1	4.69	12
3/4 x 18	3000	6.33	0.75	0.98	4.52	3.33	47.13	27.63	48.95	29.45	2.09	1	4.69	18
7/8 x 12	4000	8.1	0.88	1.13	5.19	3.78	36.53	22.78	38.66	24.91	2.38	1.25	5.1	12
1 x 12	5000	11.93	1.00	1.25	5.84	4.25	38.8	24.8	41.2	27.2	3	1.44	6.36	12
1 x 18	5000	14	1.00	1.25	5.84	4.25	50.8	30.8	53.2	33.2	3	1.44	6.36	18
1 x 24	5000	17.25	1.00	1.25	5.84	4.25	62.8	36.8	65.2	39.2	3	1.44	6.36	24
1 -1/4 x 12	6500	19	1.25	1.50	7.22	5.13	41.63	27.13	44.56	30.06	3.56	1.81	7.72	12
1 -1/4 x 18	6500	23	1.25	1.50	7.22	5.13	53.63	33.13	56.56	36.06	3.56	1.81	7.72	18
1 -1/4 x 24	6500	24	1.25	1.50	7.22	5.13	65.63	39.13	68.56	42.06	3.56	1.81	7.72	24
1 -1/2 x 12	7500	27.5	1.5	1.88	8.34	5.75	44.72	29.72	47.72	32.72	4.06	2.12	8.62	12
1 -1/2 x 18	7500	31	1.5	1.88	8.34	5.75	59.72	35.72	59.72	38.72	4.06	2.12	8.62	18
1 -1/2 x 24	7500	37.5	1.5	1.88	8.34	5.75	71.72	41.72	71.72	44.72	4.06	2.12	8.62	24

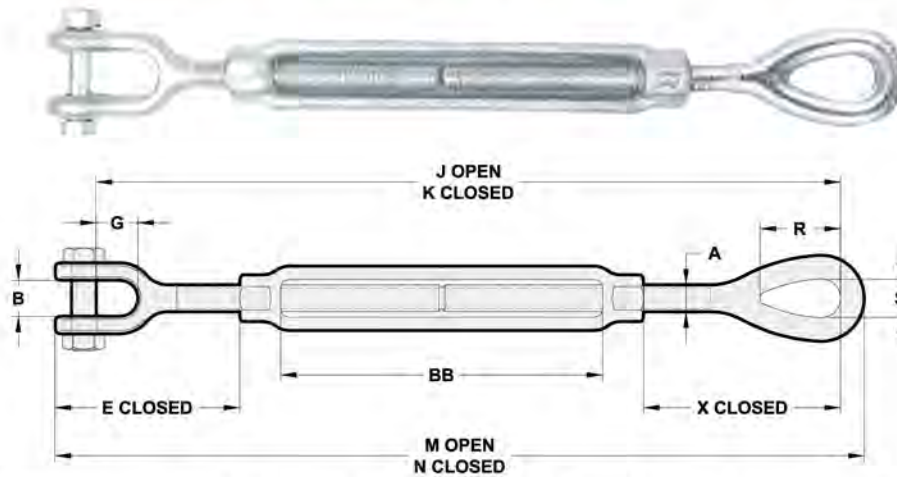
US TYPE FORGED TURNBUCKLE WITH EYE & EYE



- Meet Performance requirements of US Fed. Spec. FF-T-791b, Type 1, Form 1, Class 5 and ASTM F-1145
- Material: Carbon 1045 Steel
- Ultimate Load at 5 Times the Working Load Limit
- Finish: Hot Dip Galvanized according to ASTM A153
- Packing available with Carton Box or Gunny Bag

Thread Dia. & Take Up (in)	Working Load Limit (lbs)	Weight Each (lbs)	Dimensions (in)								
			A	J Open	K Closed	M Open	N Closed	R	S	X Closed	BB
1/4 x 4	500	0.29	0.25	11.94	7.94	12.38	8.38	0.81	0.34	1.76	4.07
5/16 x 4-1/2	800	0.48	0.31	13.92	9.42	14.48	9.98	0.95	0.44	2.20	4.58
3/8 x 6	1200	0.75	0.38	17.56	11.56	18.24	12.24	1.13	0.53	2.48	6.10
1/2 x 6	2200	1.72	0.50	19.94	13.94	20.82	14.82	1.41	0.71	3.56	6.03
1/2 x 12	2200	2.63	0.50	32.23	20.23	33.11	21.11	1.41	0.71	3.54	12.36
5/8 x 6	3500	2.75	0.63	21.72	15.72	22.72	16.72	1.80	0.88	4.35	6.03
5/8 x 12	3500	4.12	0.63	34.06	22.06	35.06	23.06	1.80	0.88	4.34	12.39
3/4 x 6	5200	4.22	0.75	23.24	17.24	24.50	18.50	2.09	1.00	5.12	6.13
3/4 x 12	3500	6.12	0.75	35.64	23.64	36.90	24.90	2.09	1.00	5.09	12.59
3/4 x 18	3500	7.83	0.75	47.64	29.64	48.90	30.90	2.09	1.00	5.12	18.53
7/8 x 12	7200	8.83	0.88	36.70	24.70	38.20	26.20	2.38	1.25	5.79	12.16
7/8 x 18	7200	11.5	0.88	49.17	31.17	50.67	32.67	2.38	1.25	5.79	18.63
1 x 6	10000	9.62	1.00	26.24	20.24	28.00	22.00	3.00	1.43	6.50	6.18
1 x 12	10000	13.0	1.00	38.24	26.24	40.00	28.00	3.00	1.43	6.50	12.18
1 x 18	10000	16.3	1.00	50.24	32.24	52.00	34.00	3.00	1.43	6.50	18.18
1 x 24	10000	20.2	1.00	62.84	38.84	64.60	40.60	3.00	1.43	6.47	24.84
1-1/4 x 12	15200	19.9	1.25	42.14	30.14	44.38	32.38	3.59	1.82	8.49	12.06
1-1/4 x 18	15200	23.8	1.25	54.14	36.14	56.38	38.38	3.59	1.82	8.49	18.06
1-1/4 x 24	15200	27.8	1.25	66.70	42.70	68.94	44.94	3.59	1.82	8.49	24.62
1-1/2 x 12	21400	28.7	1.50	44.24	32.24	46.74	34.74	4.09	2.12	9.46	12.32
1-1/2 x 18	21400	34.1	1.50	56.24	38.24	58.74	40.74	4.09	2.12	9.46	18.32
1-1/2 x 24	21400	39.6	1.50	68.86	44.86	71.36	47.36	4.65	2.12	9.46	24.94
1-3/4 x 18	28000	58.2	1.75	57.38	39.38	60.38	42.38	4.65	2.38	9.97	18.37
1-3/4 x 24	28000	174	1.75	69.38	45.38	72.38	48.38	4.65	2.38	9.97	24.37
2 x 24	37000	83.5	2.00	75.68	51.68	79.18	55.18	5.81	2.69	13.03	24.48
2-1/2 x 24	60000	149	2.50	79.18	55.18	83.18	59.18	6.49	3.12	13.76	24.60
2-3/4 x 24	75000	194	2.75	81.34	57.34	85.84	61.84	7.00	3.25	15.09	24.65

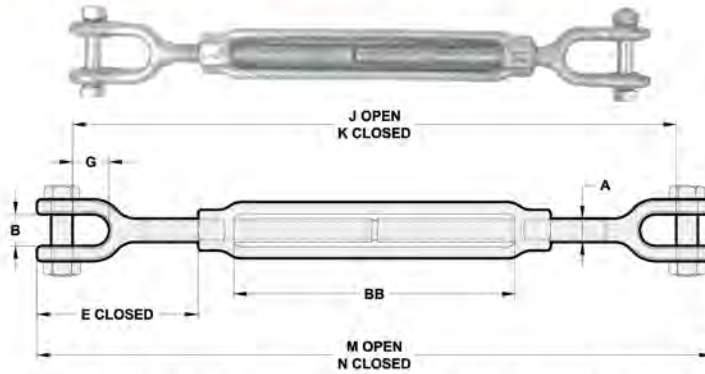
US TYPE FORGED TURNBUCKLE WITH JAW & EYE



- Meet Performance requirements of US Fed. Spec. FF-T-791b, Type 1, Form 1, Class 5 and ASTM F-1145
- Material: Carbon 1045 Steel
- Ultimate Load at 5 Times the Working Load Limit
- Finish: Hot Dip Galvanized according to ASTM A153
- Packing available with Carton Box or Gunny Bag

Thread Dia. & Take Up (in)	Working Load Limit (lbs)	Weight Each (lbs)	Dimensions (in)											
			A	B	E Closed	G	J Open	K Closed	M Open	N Closed	R	S	X Closed	BB
1/4 x 4	500	0.33	0.25	0.25	1.66	0.64	11.57	7.57	12.28	12.28	0.81	0.34	1.76	4.07
5/16 x 4-1/2	800	0.52	0.52	0.31	2.02	0.87	13.50	9.00	14.30	14.30	0.95	0.44	2.20	4.58
3/8 x 6	1200	0.80	0.80	0.38	2.11	0.85	16.91	10.91	17.87	17.87	1.13	0.53	2.48	6.10
1/2 x 6	2200	1.77	1.77	0.50	3.22	1.07	19.30	13.30	20.48	20.48	1.41	0.71	3.56	6.03
1/2 x 9	2200	2.25	2.25	0.50	3.20	1.07	25.59	16.59	26.77	26.77	1.41	0.71	3.54	9.36
1/2 x 12	2200	2.67	2.67	0.50	3.20	1.07	31.59	19.59	32.77	32.77	1.41	0.71	3.54	12.36
5/8 x 6	3500	2.98	2.98	0.63	3.90	1.32	20.73	14.73	22.27	22.27	1.80	0.88	4.35	6.03
5/8 x 9	3500	3.72	3.72	0.63	3.89	1.32	27.07	18.07	28.61	28.61	1.80	0.88	4.34	9.39
5/8 x 12	3500	4.35	4.35	0.63	3.89	1.32	33.07	21.07	34.61	34.61	1.80	0.88	4.34	12.39
3/4 x 6	5200	4.51	4.51	0.75	4.71	1.52	22.17	16.17	24.09	24.09	2.09	1.00	5.12	6.13
3/4 x 9	3500	5.56	5.56	0.75	4.68	1.52	28.57	19.57	30.49	30.49	2.09	1.00	5.09	9.59
3/4 x 12	3500	6.42	6.42	0.75	4.68	1.52	34.57	22.57	36.49	36.49	2.09	1.00	5.09	12.59
3/4 x 18	3500	8.14	8.14	0.75	4.71	1.52	46.57	28.57	48.49	48.49	2.09	1.00	5.12	18.53
7/8 x 12	7200	9.10	9.10	0.88	5.50	1.77	35.68	23.68	37.91	37.91	2.38	1.25	5.79	12.16
7/8 x 18	7200	11.6	11.6	0.88	5.50	1.77	48.15	30.15	50.38	50.38	2.38	1.25	5.79	18.63
1 x 6	10000	10.0	10.0	1.00	6.09	2.05	25.03	19.03	27.59	27.59	3.00	1.43	6.50	6.18
1 x 12	10000	13.4	13.4	1.00	6.09	2.05	37.03	25.03	39.59	39.59	3.00	1.43	6.50	12.18
1 x 18	10000	16.7	16.7	1.00	6.09	2.05	49.03	31.03	51.59	51.59	3.00	1.43	6.50	18.18
1 x 24	10000	20.6	20.6	1.00	6.06	2.05	61.63	37.63	64.19	64.19	3.00	1.43	6.47	24.84
1-1/4 x 12	15200	20.9	20.9	1.84	8.09	2.82	40.76	28.76	43.98	43.98	3.59	1.82	8.49	12.06
1-1/4 x 18	15200	24.8	24.8	1.84	8.09	2.82	52.76	34.76	55.98	55.98	3.59	1.82	8.49	18.06
1-1/4 x 24	15200	28.8	28.8	1.84	8.09	2.82	65.32	41.32	68.54	68.54	3.59	1.82	8.49	24.62
1-1/2 x 12	21400	30.6	30.6	2.06	8.93	2.81	42.50	30.50	46.21	46.21	4.09	2.12	9.46	12.32
1-1/2 x 18	21400	36.0	36.0	2.06	8.93	2.81	54.50	36.50	58.21	58.21	4.09	2.12	9.46	18.32
1-1/2 x 24	21400	41.5	41.5	2.06	8.93	2.81	67.12	43.12	70.83	70.83	4.09	2.12	9.46	24.94
1-3/4 x 18	28000	52.1	52.1	2.60	9.36	3.35	55.37	37.37	59.77	59.77	4.65	2.38	9.97	18.37
1-3/4 x 24	28000	59.7	59.7	2.60	9.36	3.35	67.37	43.37	71.77	71.77	4.65	2.38	9.97	24.37
2 x 24	37000	89.9	89.9	2.62	11.80	3.74	72.66	48.66	77.95	77.95	5.81	2.69	13.03	24.48
2-1/2 x 24	60000	158	158	3.06	13.26	4.44	76.08	52.08	82.68	82.68	6.49	3.12	13.76	24.60
2-3/4 x 24	75000	197	187	3.69	14.92	4.19	78.05	54.05	85.67	85.67	7.00	3.25	15.09	24.65

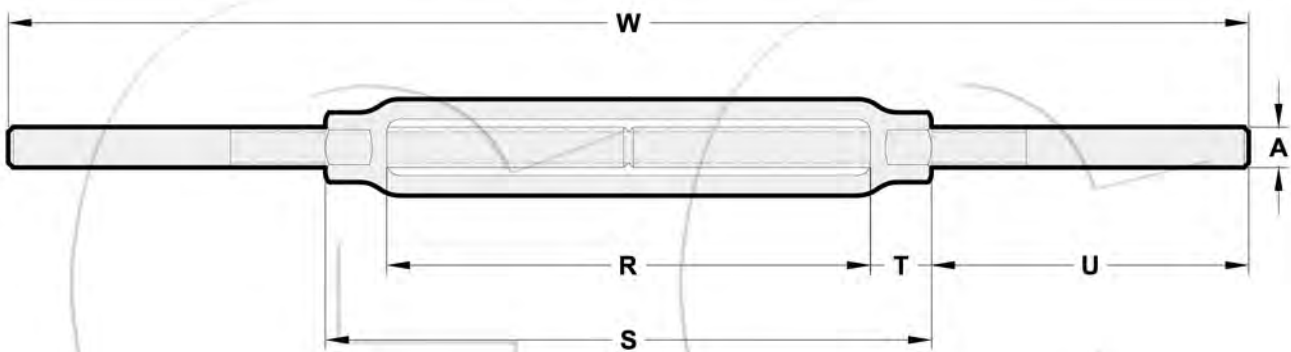
US TYPE FORGED TURNBUCKLE WITH JAW & JAW



- Meet Performance requirements of US Fed. Spec. FF-T-791b, Type 1, Form 1, Class 5 and ASTM F-1145
- Material: Carbon 1045 Steel
- Ultimate Load at 5 Times the Working Load Limit
- Finish: Hot Dip Galvanized according to ASTM A153
- Packing available with Carton Box or Gunny Bag

Thread Dia. & Take Up (in)	Working Load Limit (lbs)	Weight Each (lbs)	Dimensions (in)								
			A	B	E Closed	G	J Open	K Closed	M Open	N Closed	BB
1/4 x 4	500	0.37	0.25	0.45	1.66	0.64	11.19	7.19	12.18	8.18	4.07
5/16 x 4-1/2	800	0.56	0.31	0.50	2.02	0.87	13.07	8.57	14.12	9.62	4.58
3/8 x 6	1200	0.85	0.38	0.53	2.11	0.85	16.25	10.25	17.50	11.50	6.10
1/2 x 6	2200	1.82	0.50	0.64	3.22	1.07	18.65	12.65	20.14	14.14	6.03
1/2 x 9	2200	2.29	0.50	0.64	3.20	1.07	24.94	15.94	26.43	17.43	9.36
1/2 x 12	2200	2.71	0.50	0.64	3.20	1.07	30.94	18.94	32.43	20.43	12.36
5/8 x 6	3500	3.21	0.63	0.79	3.90	1.32	19.74	13.94	21.82	15.82	6.03
5/8 x 9	3500	3.95	0.63	0.79	3.89	1.32	26.08	17.08	28.16	19.16	9.39
5/8 x 12	3500	4.58	0.63	0.79	3.89	1.32	32.08	20.08	34.16	22.16	12.39
3/4 x 6	5200	4.80	0.75	0.97	4.71	1.52	21.09	15.09	23.68	17.68	6.13
3/4 x 9	3500	5.85	0.75	0.97	4.68	1.52	27.49	18.49	30.08	21.08	9.59
3/4 x 12	3500	6.72	0.75	0.97	4.68	1.52	33.49	21.49	36.08	24.08	12.59
3/4 x 18	3500	8.45	0.75	0.97	4.71	1.52	45.49	27.49	48.08	30.08	18.53
7/8 x 12	7200	9.37	0.88	1.16	5.50	1.77	34.65	22.65	37.62	25.62	12.16
7/8 x 18	7200	11.8	0.88	1.16	5.50	1.77	47.12	29.12	50.09	32.09	18.63
1 x 6	10000	10.4	1.00	1.34	6.09	2.05	23.82	17.92	27.18	21.18	6.18
1 x 12	10000	13.8	1.00	1.34	6.09	2.05	35.82	23.82	39.18	27.18	12.18
1 x 18	10000	17.1	1.00	1.34	6.09	2.05	47.82	29.82	51.18	33.18	18.18
1 x 24	10000	21.0	1.00	1.34	6.06	2.05	60.42	36.42	63.78	39.78	24.84
1-1/4 x 12	15200	21.9	1.25	1.84	8.09	2.82	39.37	27.37	43.58	31.58	12.06
1-1/4 x 18	15200	25.9	1.25	1.84	8.09	2.82	51.37	33.37	55.58	37.58	18.06
1-1/4 x 24	15200	29.8	1.25	1.84	8.09	2.82	63.93	39.93	68.14	44.14	24.62
1-1/2 x 12	21400	32.6	1.50	2.06	8.93	2.81	40.76	28.76	45.68	33.68	12.32
1-1/2 x 18	21400	38.0	1.50	2.06	8.93	2.81	52.76	34.76	57.68	39.68	18.32
1-1/2 x 24	21400	43.5	1.50	2.06	8.93	2.81	65.38	41.38	70.30	46.30	24.94
1-3/4 x 18	28000	53.5	1.75	2.60	9.36	3.35	53.35	35.35	59.16	41.16	18.37
1-3/4 x 24	28000	61.1	1.75	2.60	9.36	3.35	65.35	41.35	71.16	47.16	24.37
2 x 24	37000	96.3	2.00	2.62	11.80	3.74	69.64	45.64	76.72	52.72	24.48
2-1/2 x 24	60000	167	2.50	3.06	13.26	4.44	72.97	48.97	82.18	58.18	24.60
2-3/4 x 24	75000	199	2.75	3.69	14.92	4.19	74.75	50.75	85.50	61.50	24.65

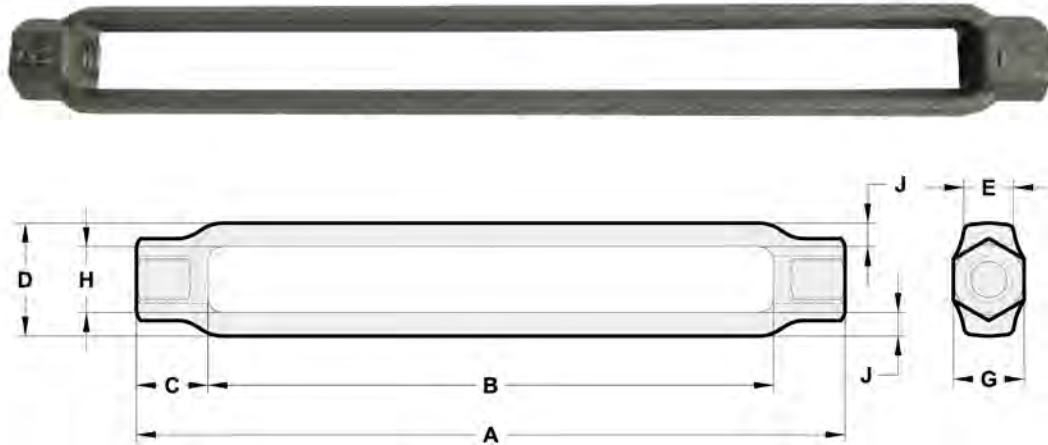
US TYPE FORGED TURNBUCKLE WITH STUB END



- Meet Performance requirements of US Fed. Spec. FF-T-791b, Type 1, Form 1, Class 5 and ASTM F-1145
- Material: Carbon 1045 Steel
- Ultimate Load at 5 Times the Working Load Limit
- Finish: Hot Dip Galvanized according to ASTM A153
- Packing available with Carton Box or Gunny Bag

Thread Dia. & Take Up (in)	Working Load Limit (lbs)	Weight Each (lbs)	Dimensions (in)					
			A	R	S	T	U	W
3/8 × 6	1200	0.75	0.38	6.00	7.13	0.56	4.44	16.00
1/2 × 6	2200	1.25	0.50	6.00	7.50	0.75	4.25	16.00
5/8 × 6	3500	2.11	0.63	6.00	7.88	0.94	4.06	16.00
3/4 × 6	5200	3.27	0.75	6.00	8.25	1.13	4.38	17.00
7/8 × 6	7200	4.78	0.88	6.00	8.63	1.31	4.69	18.00
1 × 6	10000	6.36	1.00	6.00	9.00	1.50	5.00	19.00
1 × 12	10000	8.80	1.00	12.0	15.0	1.50	5.00	25.00
1-1/8 × 6	12400	8.88	1.13	6.00	9.13	1.56	4.94	19.00
1-1/4 × 6	15200	10.18	1.25	6.00	9.13	1.56	5.44	20.00
1-1/4 × 12	15200	13.60	1.25	12.0	15.12	1.56	5.44	26.00
1-1/2 × 12	21400	20.44	1.50	12.0	15.75	1.88	5.38	26.50

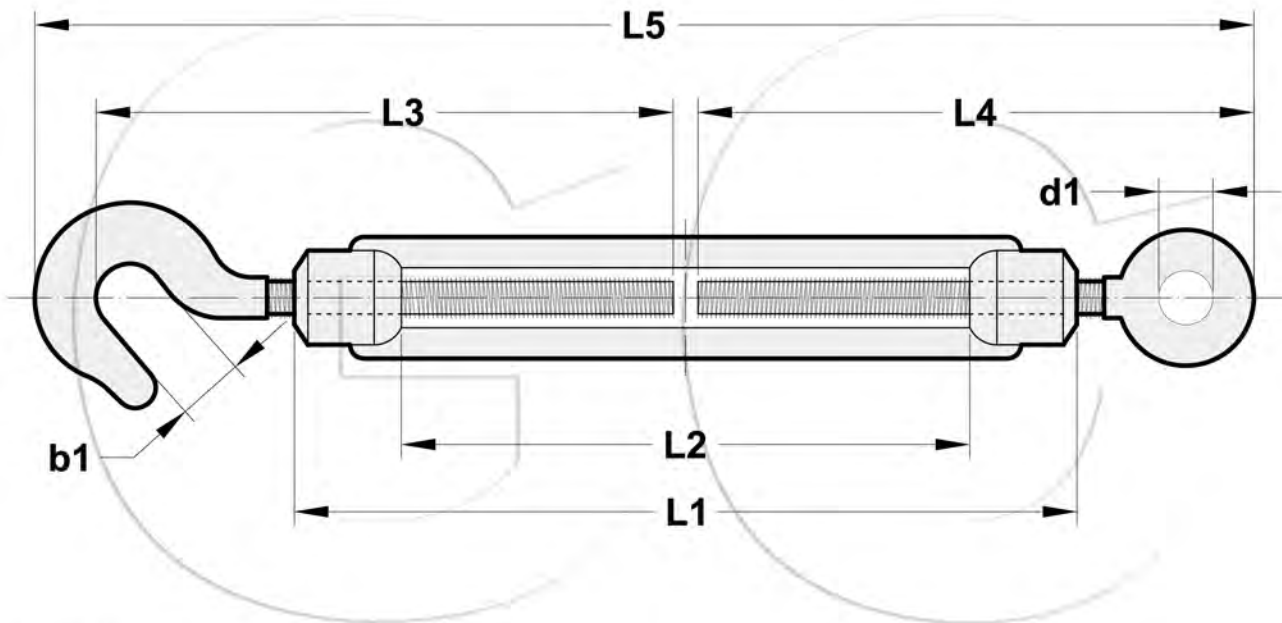
US TYPE FORGED TURNBUCKLE BODY



- Meet Performance requirements of US Fed. Spec. FF-T-791b, Type 1, Form 1, Class 5 and ASTM F-1145
- Material: Carbon 1045 Steel
- Ultimate Load at 5 Times the Working Load Limit
- Finish: Self Color
- Packing available with Carton Box or Gunny Bag

Thread Dia. & Take Up (in)	Working Load Limit (lbs)	Weight Each (lbs)	Dimensions (in)							
			A	B	C	D	E	G	H	J
1/4 x 4	500	0.15	4.87	4.07	0.40	0.72	0.34	0.50	0.38	0.17
5/16 x 4-1/2	800	0.22	5.59	4.58	0.50	0.82	0.38	0.56	0.44	0.19
3/8 x 6	1200	0.29	7.29	6.10	0.60	0.88	0.68	0.63	0.50	0.19
1/2 x 6	2200	0.70	7.70	6.03	0.84	1.19	0.68	0.81	0.63	0.28
1/2 x 9	2200	1.03	11.03	9.36	0.84	1.19	0.68	0.81	0.63	0.28
1/2 x 12	2200	1.27	14.03	12.36	0.84	1.19	0.83	0.81	0.63	0.28
5/8 x 6	3500	1.11	8.02	6.03	1.00	1.43	0.83	1.00	0.75	0.34
5/8 x 9	3500	1.59	11.38	9.39	1.00	1.43	0.83	1.00	0.75	0.34
5/8 x 12	3500	1.96	14.38	12.39	1.00	1.43	0.83	1.00	0.75	0.34
3/4 x 6	5200	1.50	8.26	6.13	1.07	1.74	0.94	1.13	0.94	0.40
3/4 x 9	3500	2.17	11.72	9.59	1.07	1.74	0.94	1.13	0.94	0.40
3/4 x 12	3500	2.66	14.72	12.59	1.07	1.74	0.94	1.13	0.94	0.40
3/4 x 18	3500	3.63	20.66	18.53	1.07	1.74	0.94	1.13	0.94	0.40
7/8 x 12	7200	3.61	14.62	12.16	1.23	2.00	1.13	1.31	1.06	0.47
7/8 x 18	7200	5.27	21.09	18.63	1.23	2.00	1.13	1.31	1.06	0.47
1 x 6	10000	3.32	9.00	6.18	1.41	2.45	1.25	1.50	1.25	0.60
1 x 12	10000	5.34	15.00	12.18	1.41	2.45	1.25	1.50	1.25	0.60
1 x 18	10000	7.35	21.00	18.18	1.41	2.45	1.25	1.50	1.25	0.60
1 x 24	10000	9.85	27.66	24.84	1.41	2.45	1.25	1.50	1.25	0.60
1-1/4 x 12	15200	5.72	15.40	12.06	1.67	2.62	1.25	1.88	1.50	0.56
1-1/4 x 18	15200	7.58	21.40	18.06	1.67	2.62	1.25	1.88	1.50	0.56
1-1/4 x 24	15200	9.45	27.96	24.62	1.67	2.62	1.25	1.88	1.50	0.56
1-1/2 x 12	21400	8.01	15.82	12.32	1.75	2.99	1.50	2.25	1.75	0.62
1-1/2 x 18	21400	10.4	21.82	18.32	1.75	2.99	1.50	2.25	1.75	0.62
1-1/2 x 24	21400	12.9	28.54	24.94	1.75	2.99	1.50	2.25	1.75	0.62
1-3/4 x 18	28000	15.7	22.44	18.37	2.04	3.62	1.75	2.62	2.12	0.75
1-3/4 x 24	28000	19.2	28.44	24.37	2.04	3.62	1.75	2.62	2.12	0.75
2 x 24	37000	25.8	29.13	24.48	2.33	4.14	2.00	3.00	2.38	0.88
2-1/2 x 24	60000	55.9	31.66	24.60	3.53	5.12	2.75	3.88	3.12	1.25
2-3/4 x 24	75000	54.0	31.66	24.65	3.51	5.12	2.75	3.88	4.48	1.25

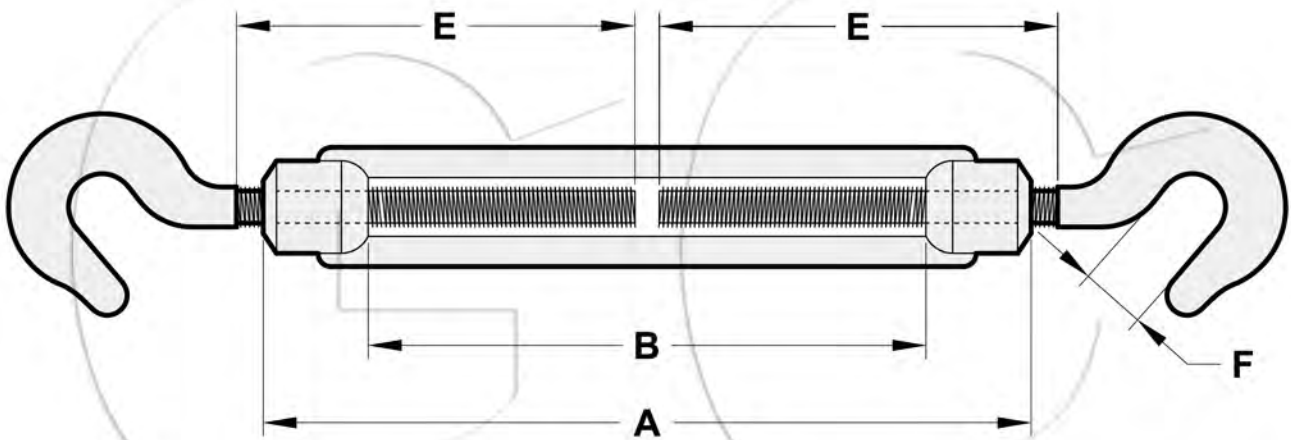
DIN1480 TURNBUCKLES, TYPE HOOK AND EYE



- Meet Performance requirements of DIN1480
- Drop Forged
- Material: Carbon Steel
- Ultimate Load at 4 Times the Working Load Limit
- Finish: Hot Dip Galvanized or Electrogalvanized
- Packing available with Carton Box or Gunny Bag

Size (mm)	Working Load Limit (t)	Weight (kg)	Dimensions (mm)						
			L1	L2	L3	b1	L4	d1	L5
M6	0.075	0.086	110	80	85	8.5	80	9	172
M8	0.165	0.15	110	75	85	11	84	10	182
M10	0.235	0.28	125	85	112	13.5	105	14	213
M12	0.32	0.38	125	80	117	15.5	115	16	238
M14	0.43	0.62	140	90	122	18.5	122	18	263
M16	0.53	0.97	170	110	138	19	165	22	320
M20	0.73	1.64	200	130	170	20.5	167	24	367
M22	1.12	1.95	220	145	185	26	167	27	398
M24	1.55	3.27	255	170	205	26	205	27	447
M30	2.24	5.38	255	160	225	33	255	31	512
M36	3.26	9.33	295	180	255	44	276	43	568
M42	3.675	15.38	330	200	340	48	260	49	683
M48	6.86	22.65	355	195	360	58	300	58	755

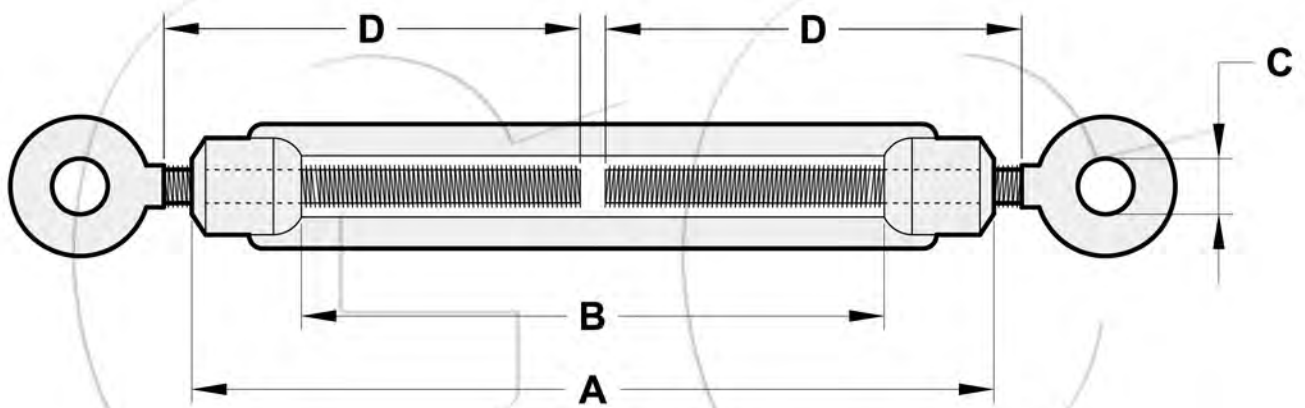
DIN1480 TURNBUCKLES, TYPE HOOK AND HOOK



- Meet Performance requirements of DIN1480
- Drop Forged
- Material: Carbon Steel
- Ultimate Load at 4 Times the Working Load Limit
- Finish: Hot Dip Galvanized or Electrogalvanized
- Packing available with Carton Box or Gunny Bag

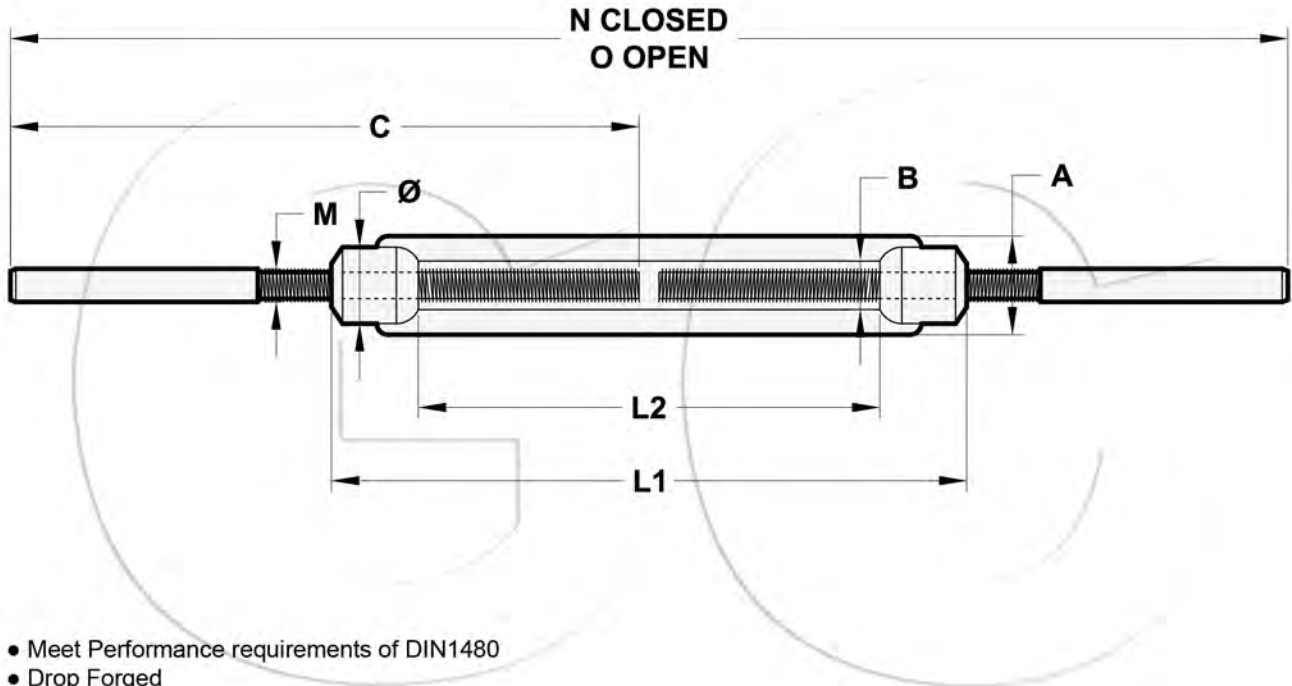
Size (mm)	Working Load Limit (t)	Weight (kg)	Dimensions (mm)			
			A	B	E	F
M6	0.075	0.086	110	86	53	9.5
M8	0.165	0.156	110	80	55	10
M10	0.235	0.29	125	89	65	13.5
M12	0.32	0.42	125	83	70	16
M16	0.53	1.03	170	116	100	16
M20	0.73	1.64	200	130	105	18
M22	1.12	2.12	220	148	115	22
M24	1.55	3.16	255	177	130	28
M30	2.24	6.28	255	165	145	33
M36	3.26	10.01	295	185	155	41
M42	3.675	15.14	330	204	175	45
M48	6.86	25.09	355	199	185	54

DIN1480 TURNBUCKLES, TYPE EYE AND EYE



- Meet Performance requirements of DIN1480
- Drop Forged
- Material: Carbon Steel
- Ultimate Load at 4 Times the Working Load Limit
- Finish: Hot Dip Galvanized or Electrogalvanized
- Packing available with Carton Box or Gunny Bag

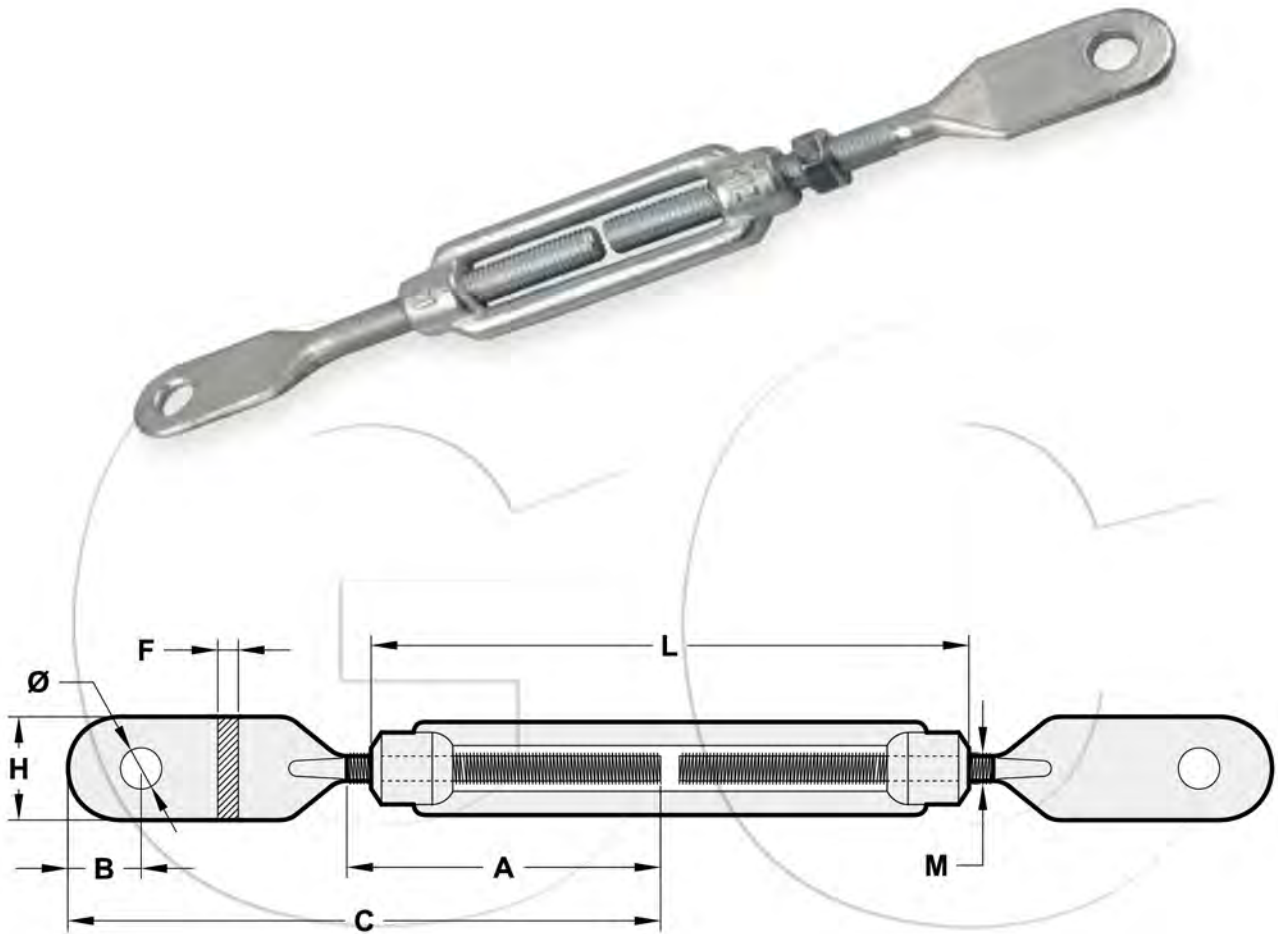
Size (mm)	Working Load Limit (t)	Weight (kg)	Dimensions (mm)			
			A	B	C	D
M6	0.075	0.086	110	86	9.5	53
M8	0.41	0.156	110	80	11	55
M10	0.65	0.29	125	89	14.5	65
M12	0.93	0.42	125	83	17	66
M14	1.33	0.635	140	94	18	83
M16	1.77	0.91	170	116	22	100
M20	2.7	1.64	200	130	24	100
M22	3.3	2.76	220	148	30	125
M24	3.92	3.38	255	177	26	132.5
M30	6.25	4.48	255	165	39	145
M36	9.1	8.65	295	185	44	155
M42	12.75	12.02	330	204	49	175
M48	16.8	20.21	355	199	58	185



- Meet Performance requirements of DIN1480
- Drop Forged
- Material: Carbon Steel
- Ultimate Load at 4 Times the Working Load Limit
- Finish: Hot Dip Galvanized or Electrogalvanized
- Packing available with Carton Box or Gunny Bag

Size (M)	Dimensions (mm)							
	A	B	C	N	O	L1	L2	Φ
M6	19	9	120	245	320	110	86	12
M8	23	11	120	245	315	110	80	15
M10	30	14	150	305	354	125	89	18
M12	34	18	150	305	378	125	83	21
M14	38	18	162	330	415	140	94	24.5
M16	42	20	220	445	545	170	110	27
M20	53	24	220	445	565	200	130	34
M22	56	26	220	445	583	220	148	37
M24	60	28	260	525	692	255	177	39
M30	74	34	260	525	650	255	165	45
M36	86	40	300	605	780	295	185	55
M42	104	50	350	705	900	330	204	63
M48	135	65	380	705	955	355	199	80
M56	135	65	380	705	955	355	199	80

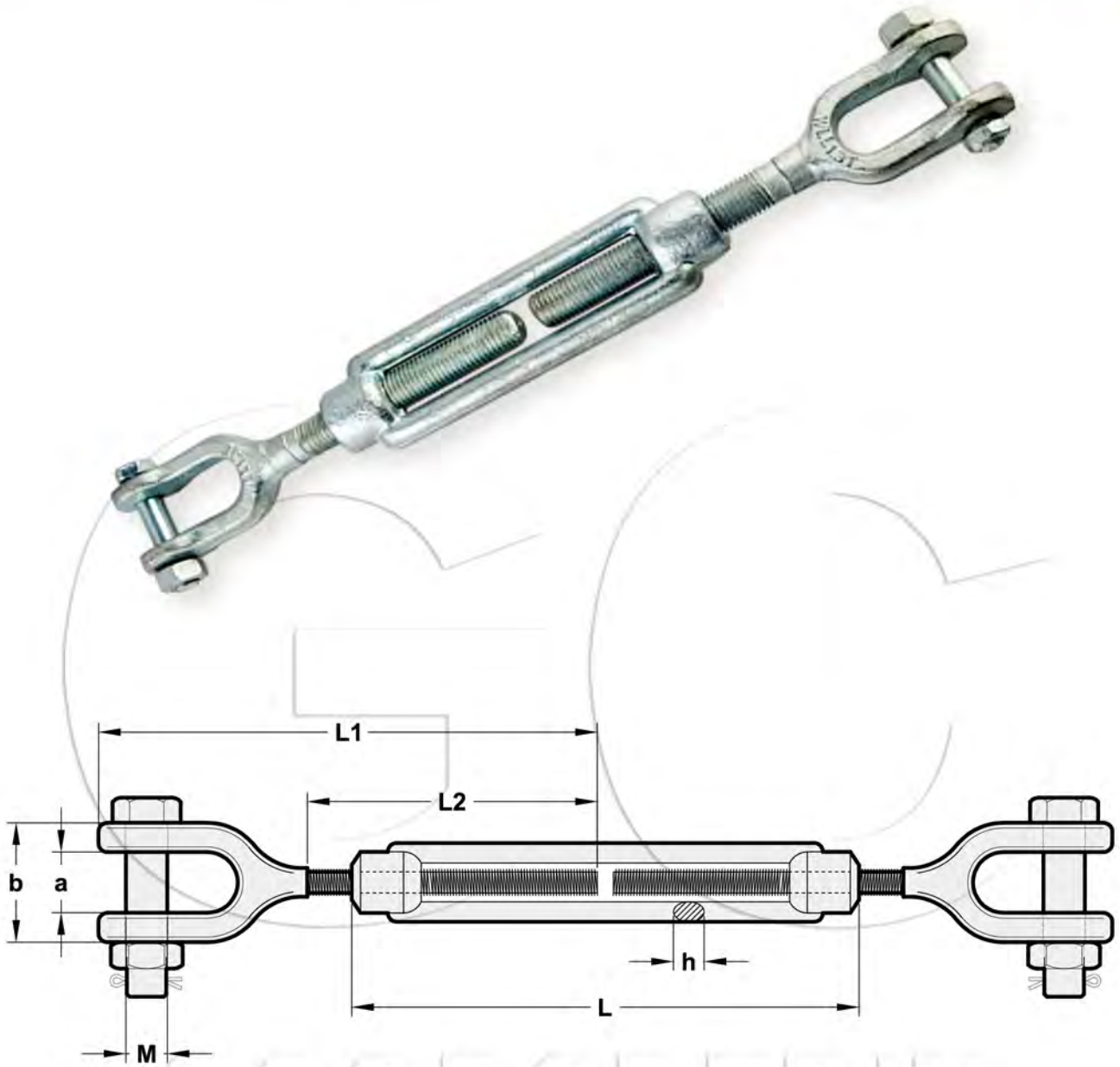
DIN1480 TURNBUCKLES WITH PLANE SCREWS



- Meet Performance requirements of DIN1480
- Drop Forged
- Material: Carbon Steel
- Ultimate Load at 4 Times the Working Load Limit
- Finish: Hot Dip Galvanized or Electro-galvanized
- Packing available with Carton Box or Gunny Bag

Size	Working Load Limit (t)	Weight (kg)	Dimensions (mm)								
			A	B	C	H	M	F	P	L	Φ
M12	1.67	1.1	70	35	210	40	M12	7	77	125	18
M16	3.12	1.73	90	35	240	50	M16	10	85	170	18
M20	4.86	2.58	100	35	255	50	M20	10	91	272	18
M24	7	4.14	150	45	315	70	M24	12	80	255	22
M27	9.1	5.4	150	50	320	70	M27	15	80	255	22
M30	11.18	6.8	160	60	365	80	M30	15	98	255	26
M36	16.2	10.87	220	60	425	80	M36	20	100	295	26

DIN1480 TURNBUCKLES, TYPE JAW AND JAW

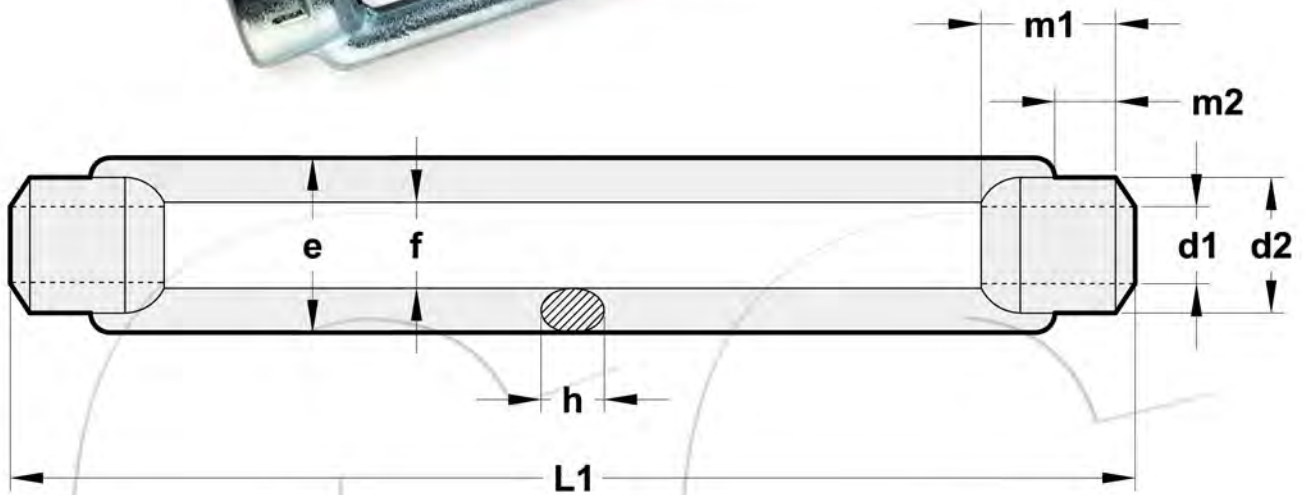


- Meet Performance requirements of DIN1480
- Drop Forged
- Material: Carbon Steel
- Ultimate Load at 4 Times the Working Load Limit
- Finish: Hot Dip Galvanized or Electro-galvanized
- Packing available with Carton Box or Gunny Bag

Size	Dimensions (mm)						
	L	h	L1	L2	a	b	M
M10	125	9.5	135	78	12.5	27.5	M10
M16	170	14	187	105	20	41	M16
M20	200	17	205	115	23.5	46	M20
M24	255	21	240	130	28	60	M24

⚠ WARNING Never exceed Working Load Limit

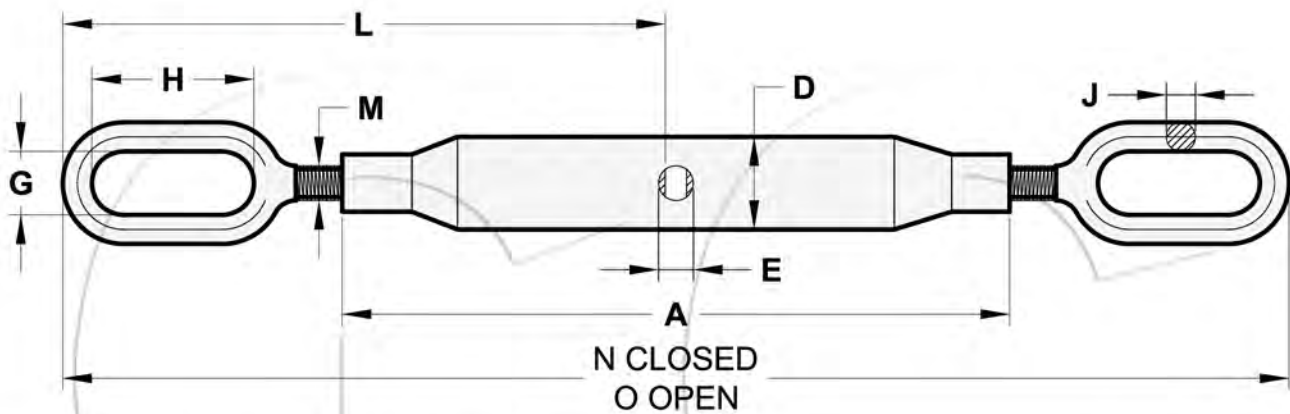
DIN1480 TURNBUCKLES BODY



- Meet Performance requirements of DIN1480
- Drop Forged
- Material: Carbon Steel
- Ultimate Load at 4 Times the Working Load Limit
- Finish: Hot Dip Galvanized or Electrogalvanized
- Packing available with Carton Box or Gunny Bag

Thread Size (d1)	Dimensions (mm)								Weight 100pcs (kg)
	L1	Length of engagement	d2	e	l	h	m1	m2	
M6	110	80	12	19	9	6	12	6	5.5
M8	110	75	15	23	11	8	15	8	9.5
M10	125	85	18	30	14	9	18	9	15.5
M12	125	80	21	34	16	11	21	11	20.5
M14	140	90	25	38	18	10	24	9	31
M16	170	110	27	42	20	14	27	14	42
M20	200	130	34	52	24	17	34	17	74
M22	220	145	36	57	26	16	37	15	95
M24	255	170	39	60	28	20	39	20	130
M30	255	160	45	74	34	23	45	23	180
M36	295	180	55	86	40	28	55	28	310
M42	330	200	63	104	50	32	63	32	556
M48	355	195	80	135	65	40	78	39	975
M56	355	195	80	135	65	40	78	39	900

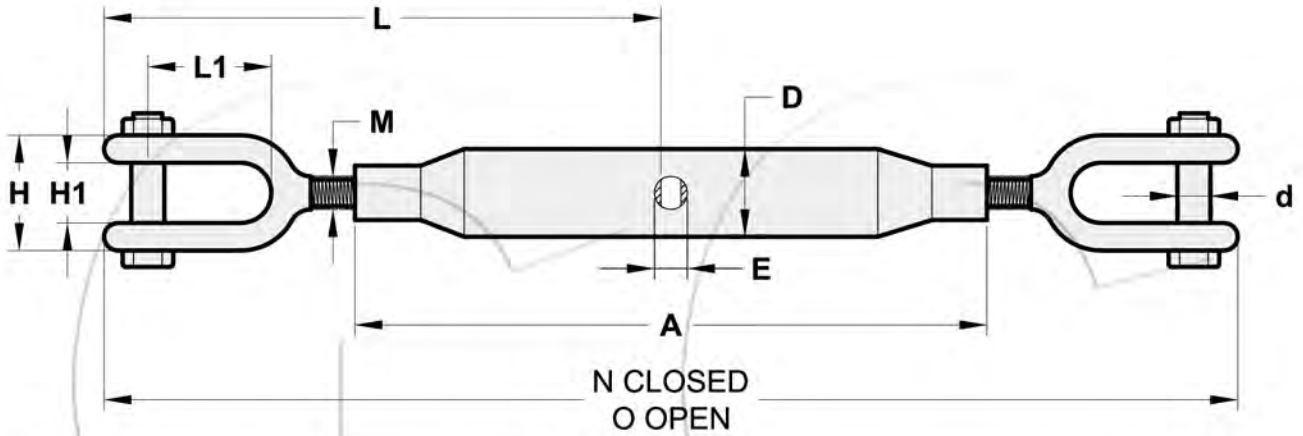
DIN1478 RIGGING SCREWS, TYPE EYE AND EYE



- Meet Performance requirements of DIN1478
- Drop Forged
- Material: Carbon Steel
- Ultimate Load at 4 Times the Working Load Limit
- Finish: Hot Dip Galvanized or Electro-galvanized
- Packing available with Carton Box or Gunny Bag

Size	Weight (kg)	Dimensions (mm)									
		M	A	D	E	G	J	L	N Closed	O Open	H
M6	0.18	M6×1	110	15	6	8	6	96	197	307	14
M8	0.38	M8×1.25	110	17	8.5	8	8	109	223	333	20
M10	0.43	M10×1.5	125	21	8.5	11	8	127	259	384	25
M12	0.9	M12×1.75	125	25	10.5	14	11	182	369	494	36
M16	1.2	M16×2	170	30	10.5	18	14	194	393	563	40
M20	2.02	M20×2.5	200	33.5	12.5	22	16	204	413	613	55
M22	3.07	M22×2.5	220	33.5	12.5	22	17	248	501	721	55
M24	3.9	M24×3	255	42	12.5	25	19	292	589	844	57
M27	4.97	M27×3	255	42	14.5	28	20	294	593	848	57
M33	6.83	M33×3.5	255	57	16.5	34	25	320	645	900	64
M36	7.94	M36×4	295	63	16.5	36	26	325	655	950	75
M42	14.08	M42×4.5	330	70	20.5	38	27	356	717	1047	84
M48	17.48	M48×5	355	83	20.5	44	37	404	813	1168	94

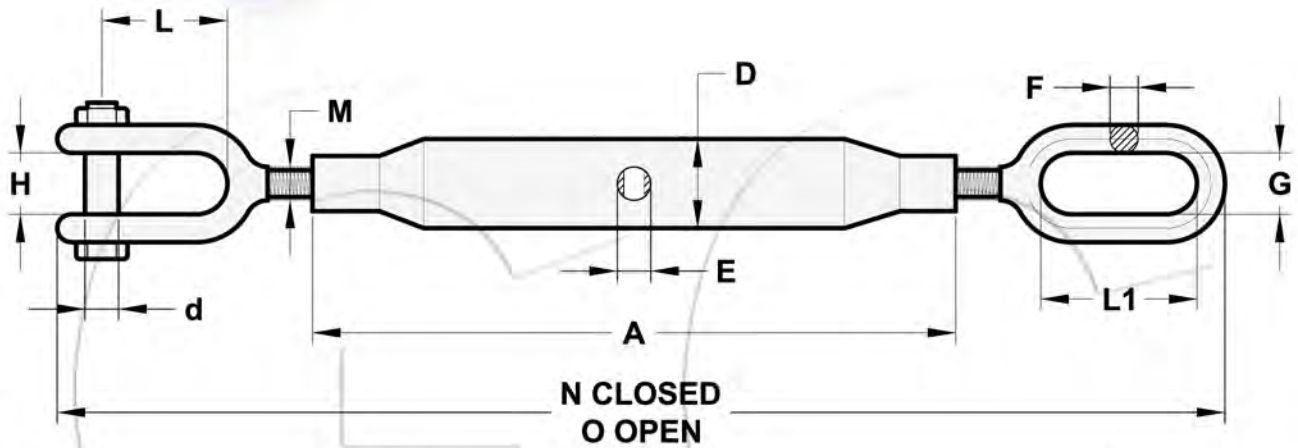
DIN1478 RIGGING SCREWS, TYPE JAW AND JAW



- Meet Performance requirements of DIN1478
- Drop Forged
- Material: Carbon Steel
- Ultimate Load at 4 Times the Working Load Limit
- Finish: Hot Dip Galvanized or Electrogalvanized
- Packing available with Carton Box or Gunny Bag

Size	Weight (kg)	Dimensions (mm)										
		M	A	D	E	H	H1	L	L1	d	N Closed	O Open
M6	0.18	M6×1	110	15	6	21	9	96	21	5	197	292
M8	0.38	M8×1.25	110	17	8.5	21	9	109	21	6.5	223	313
M10	0.484	M10×1.5	125	21	8.5	27	11	124	21	8	253	353
M12	1	M12×1.75	125	25	10.5	37	19	183	35	10	370	465
M16	1.356	M16×2	170	30	10.5	40	22	194	51	12	393	523
M20	2.212	M20×2.5	200	33.5	12.5	44	22	204	48	16	413	563
M22	3.59	M22×2.5	220	33.5	12.5	51	25	248	60	20	500	650
M24	4.814	M24×3	255	42	12.5	60	32	292	65	22	589	786
M27	5.73	M27×3	255	42	14.5	60	32	294	65	22	593	783
M33	8.04	M33×3.5	255	57	16.5	76	38	320	76	24	645	828
M36	8.82	M36×4	295	63	16.5	76	38	325	76	27	655	870
M42	16.4	M42×4.5	330	70	20.5	85	47	330	111	35	655	888
M48	22.4	M48×5	355	83	20.5	101	51	404	121	42	813	951

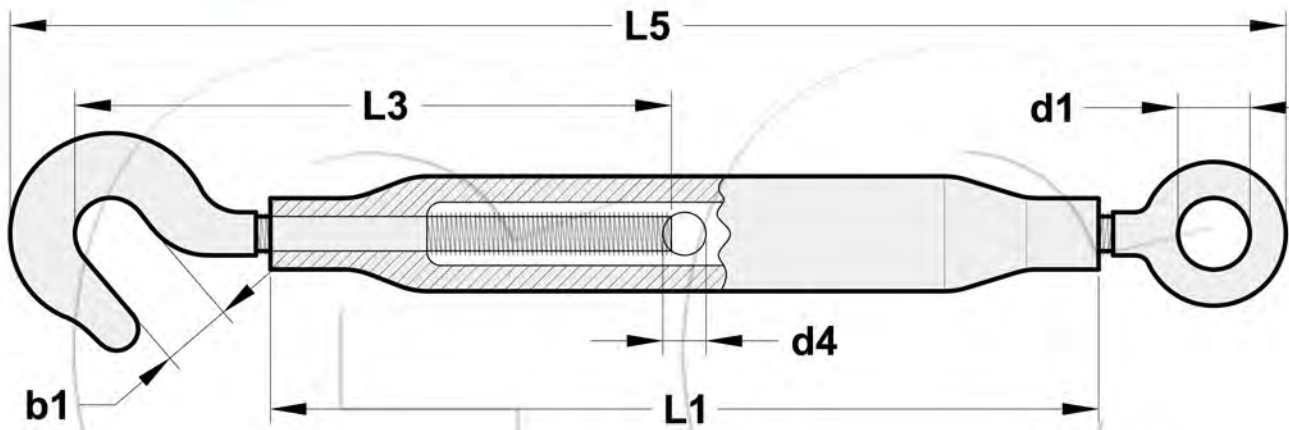
DIN1478 RIGGING SCREWS, TYPE JAW AND EYE



- Meet Performance requirements of DIN1478
- Drop Forged
- Material: Carbon Steel
- Ultimate Load at 4 Times the Working Load Limit
- Finish: Hot Dip Galvanized or Electrogalvanized
- Packing available with Carton Box or Gunny Bag

Size	Weight (kg)	Dimensions (mm)										
		M	A	D	E	H	L	L1	F	d	N Closed	O Open
M6	0.18	M6×1	110	15	6	9	21	14	6	5	197	307
M8	0.363	M8×1.25	110	17	8.5	9	21	20	8	6.5	223	333
M10	0.455	M10×1.5	125	21	8.5	11	21	25	8	8	256	381
M12	0.935	M12×1.75	125	25	10.5	19	35	36	11	10	370	495
M16	1.277	M16×2	170	30	10.5	22	51	40	14	12	393	563
M20	2.114	M20×2.5	200	33.5	12.5	22	48	55	16	16	413	613
M22	3.33	M22×2.5	220	33.5	12.5	25	60	55	17	20	501	721
M24	4.354	M24×3	255	42	12.5	32	65	57	19	22	589	844
M27	5.35	M27×3	255	42	14.5	32	65	57	20	22	593	848
M33	7.43	M33×3.5	255	57	16.5	38	76	64	25	24	645	900
M36	8.63	M36×4	295	63	16.5	38	76	75	26	27	655	950
M42	16.4	M42×4.5	330	70	20.5	47	111	84	27	35	691	1021
M48	19.94	M48×5	355	83	20.5	51	121	94	37	42	813	1168

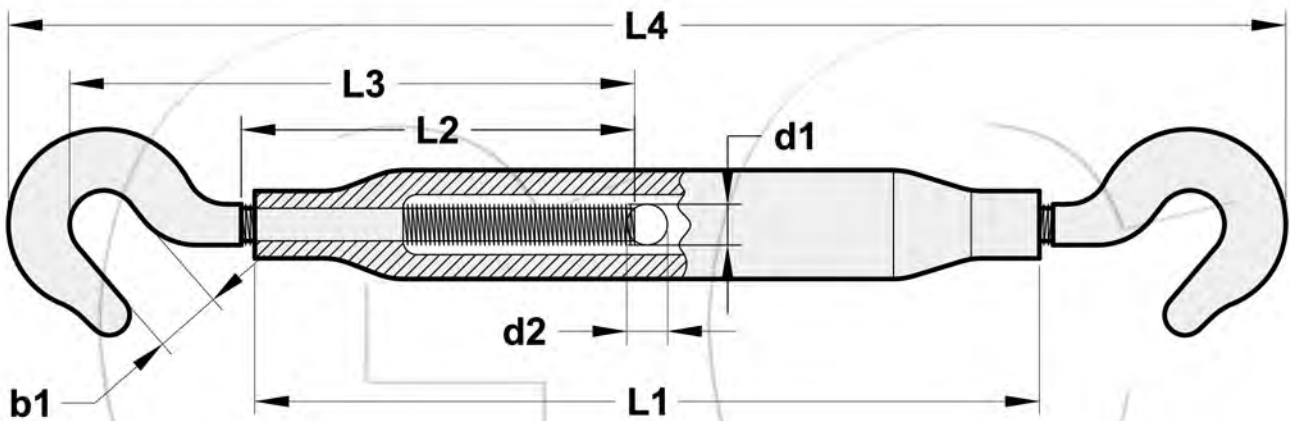
DIN1478 RIGGING SCREWS, TYPE JAW AND JAW



- Meet Performance requirements of DIN1478
- Drop Forged
- Material: Carbon Steel
- Ultimate Load at 4 Times the Working Load Limit
- Finish: Hot Dip Galvanized or Electrogalvanized
- Packing available with Carton Box or Gunny Bag

Size	Weight Per 100Pcs (kg)	Dimensions (mm)							
		Body Length L1	Adjustable	d4	Hook		Eye		Total Length Screwed In L5
					L3	b1	L3	d1	
M6	11.6	110	90	6	85	8.5	80	9	172
M8	19	110	85	8	85	11	84	10	182
M10	31	125	95	8	112	13.5	105	14	213
M12	42	125	90	10	117	15.5	115	16	238
M16	89	170	120	10	138	19	165	22	320
M20	158	200	140	12	170	20.5	167	24	367
M24	292	255	180	12	205	26	205	27	447
M30	430	255	160	16	225	33	255	31	512
M36	605	295	180	16	255	44	276	43	568
M42	1160	330	200	20	340	48	260	49	683
M48	1600	355	210	20	360	58	300	58	755

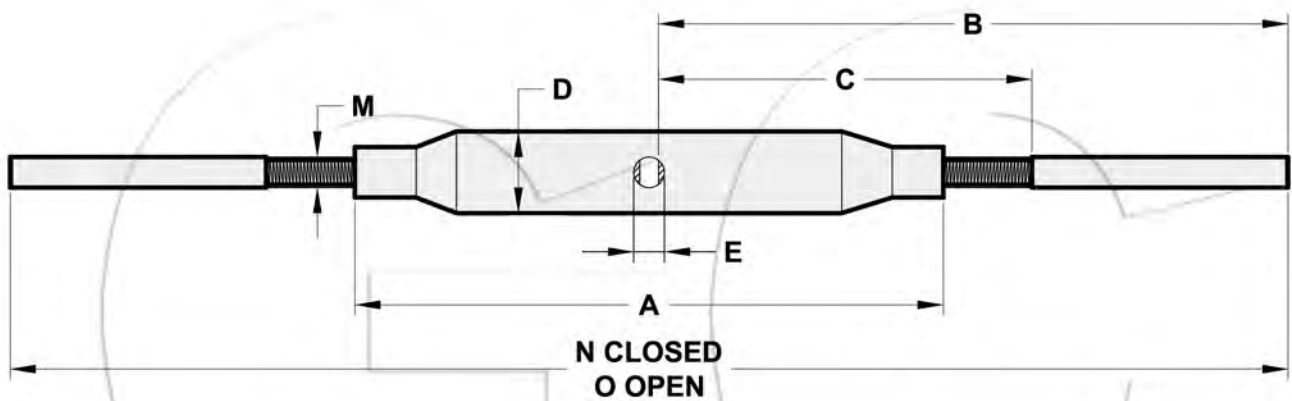
DIN1478 RIGGING SCREWS, TYPE HOOK AND HOOK



- Meet Performance requirements of DIN1478
- Drop Forged
- Material: Carbon Steel
- Ultimate Load at 4 Times the Working Load Limit
- Finish: Hot Dip Galvanized or Electrogvanized
- Packing available with Carton Box or Gunny Bag

Size	Weight (kg)	Dimensions (mm)							
		d1	L1	L2	L3	L4 Min.	L4 Max.	b1	d2
M6	0.16	M6×1	110	50	77	160	250	9.5	6
M8	0.2	M8×1.25	110	60	98	204	289	11	8
M10	0.3	M10×1.5	125	73	116	241	336	14	8
M12	0.47	M12×1.75	125	90	146	303	393	18	10
M16	1.01	M16×2	170	100	165	340	460	19	10
M20	1.4	M20×2.5	200	105	180	372	512	21	12
M24	2.86	M24×3	255	135	225	463	543	29	12
M30	4.09	M30×3	255	140	225	527	687	31	16
M36	6.85	M36×4	295	170	300	617	697	35	16

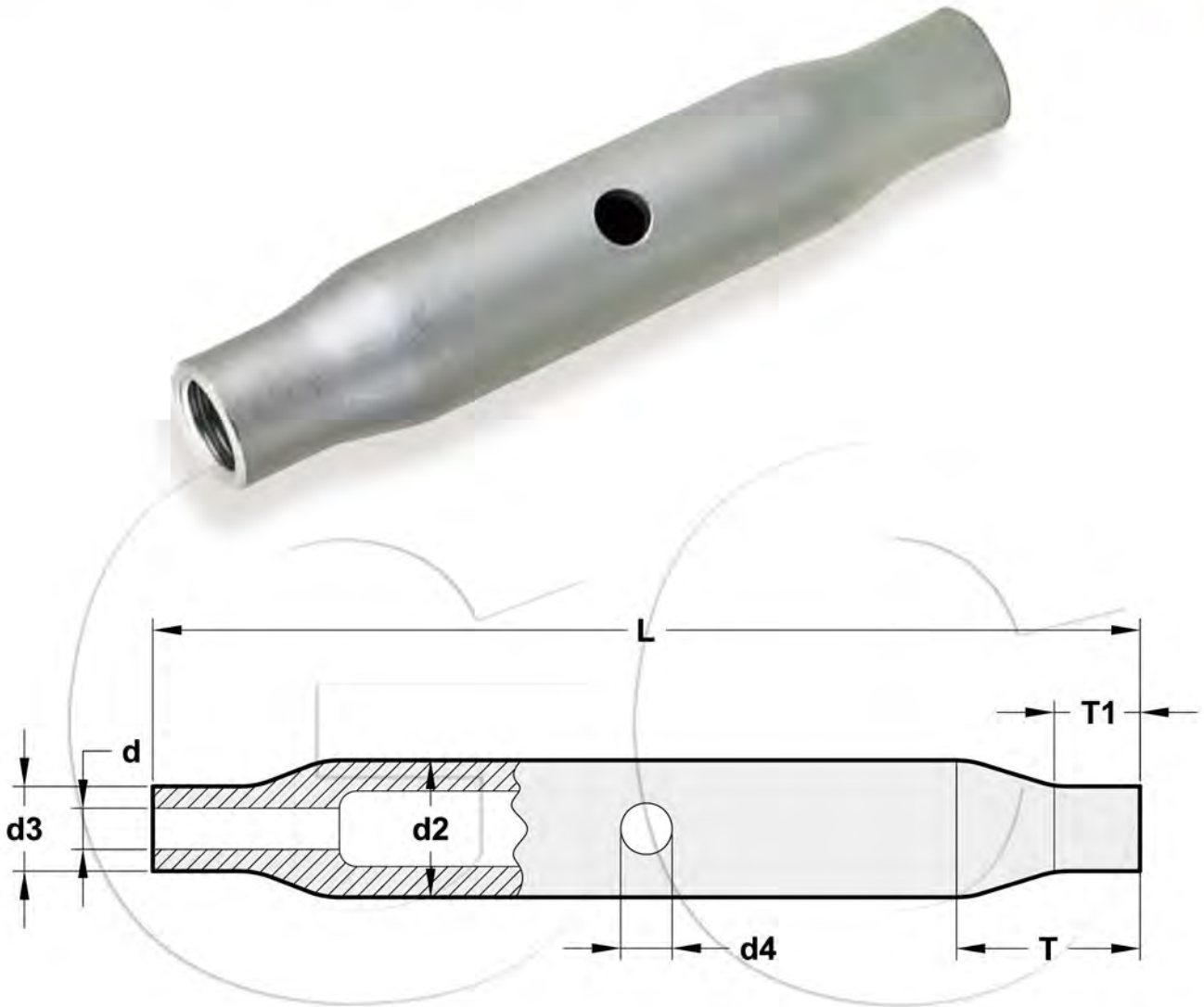
DIN1478 TURNBUCKLES WITH STUB END



- Meet Performance requirements of DIN1478
- Drop Forged
- Material: Carbon Steel
- Ultimate Load at 4 Times the Working Load Limit
- Finish: Hot Dip Galvanized or Electro-galvanized
- Packing available with Carton Box or Gunny Bag

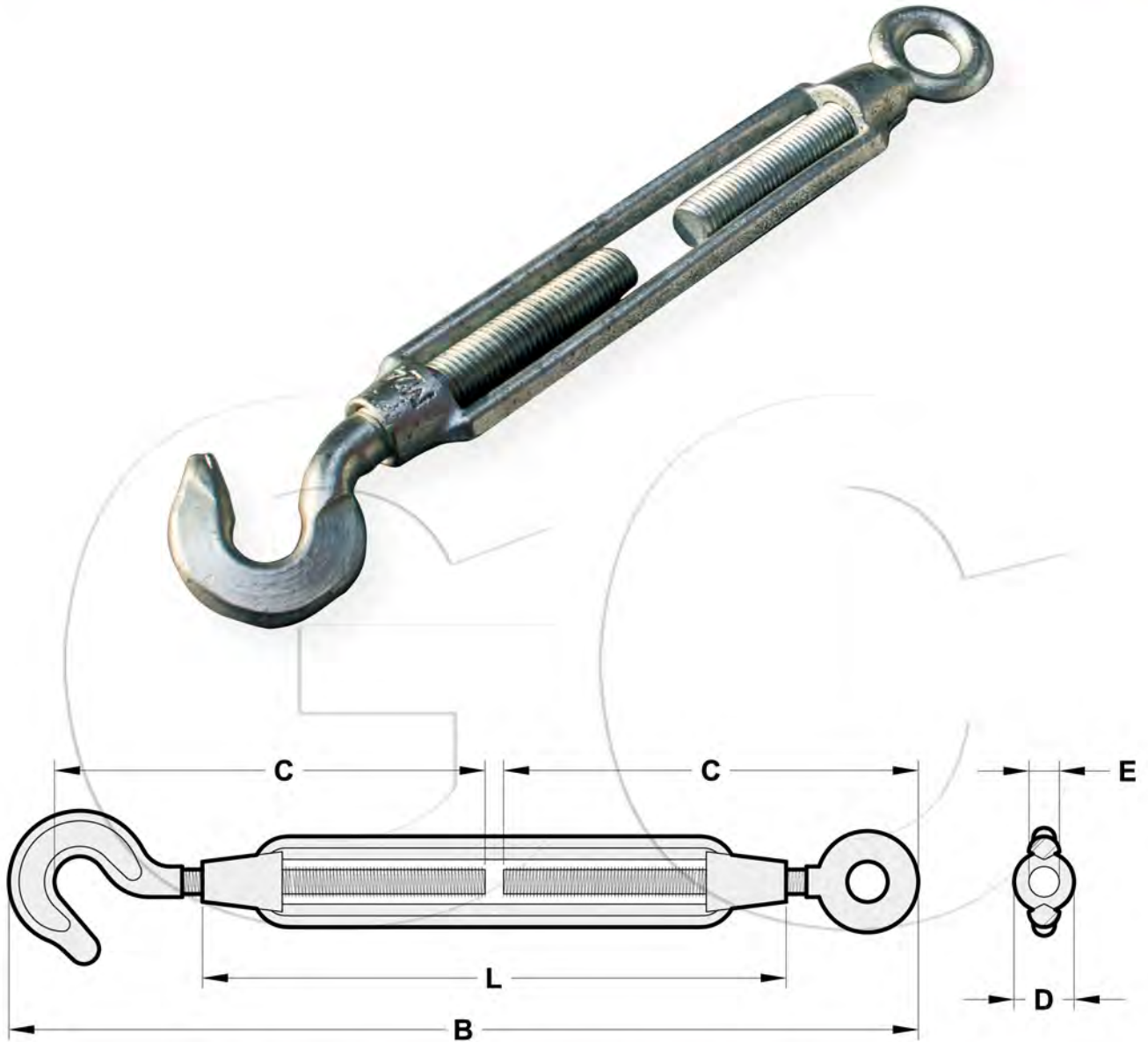
Size	Weight (kg)	Dimensions (mm)							
		M	E	A	D	B	C	N Closed	O Open
M6	0.14	M6×1	6	110	15	120	65	240	340
M8	0.18	M8×1.25	8.5	110	17	120	65	240	340
M10	0.32	M10×1.5	8.5	125	21	150	75	300	410
M12	0.45	M12×1.75	10.5	125	25	150	75	300	410
M16	0.9	M16×2	10.5	170	30	200	100	400	550
M20	1.5	M20×2.5	12.5	200	33.5	220	120	400	615
M24	2.75	M24×3	12.5	255	42	260	150	520	740
M30	3.94	M30×3	14.5	255	55	260	160	520	740
M36	6.75	M36×4	16.5	295	70	300	190	600	850

DIN1478 CLOSED TURNBUCKLE BODY



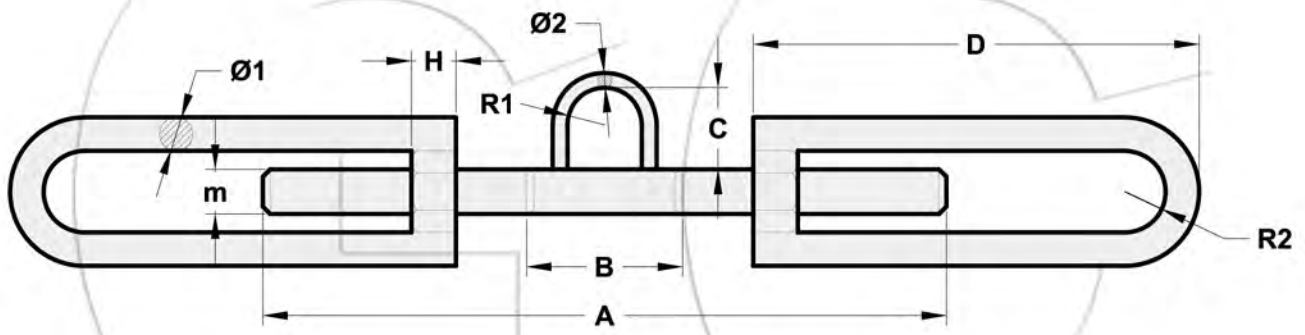
Size (d)	Working Load Limit (kg)	Weight (kg)	Dimensions (mm)					
			d2	d3	d4	L	T	T1
M6	225	0.1	17.2	9	6	110	9.5	7.8
M8	410	0.09	17.2	12	8	110	12	10
M10	650	0.19	21.3	15	8	125	14	12
M12	930	0.27	25	18	10	125	17	15
M16	1170	0.51	30	22.5	10	170	22	20
M20	2700	0.62	33.7	27	12	200	26	24
M24	3920	1.15	42.4	32	12	255	31	29
M30	6250	1.57	51	38	16	255	38	36
M36	9100	3.16	63.5	47.5	16	295	46	43
M42	12500	4.33	70	57	20	330	54	51
M48	16500	5.78	82.5	63	20	355	61	58

COMMERCIAL TYPE MALLEABLE TURNBUCKLES WITH EYE AND HOOK



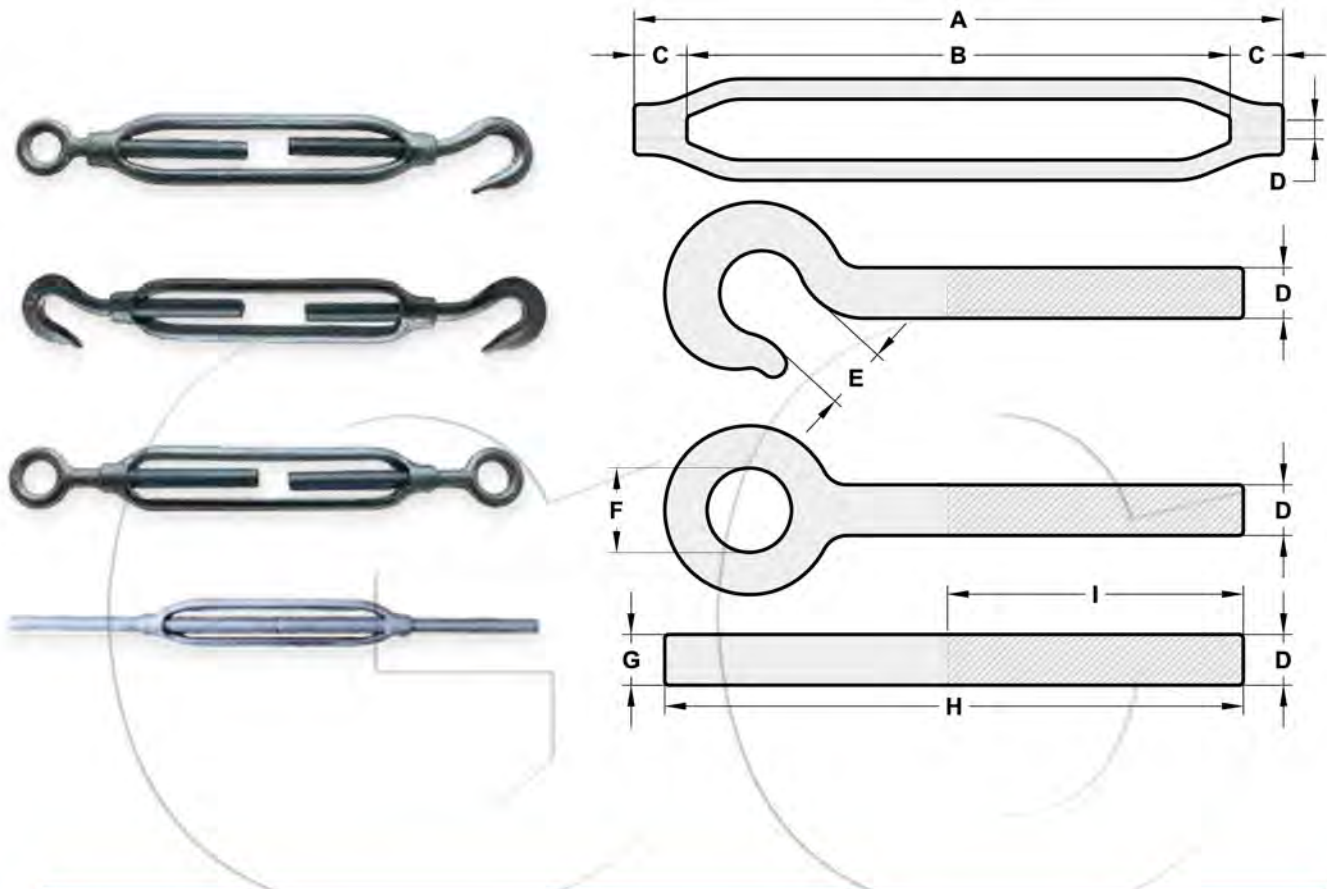
Size (mm)	Working Load Limit (kg)	Weight Each (lbs.)	Dimensions (mm)				
			B	C	D	E	L
6 × 100	100	0.35	145	215	12	10	100
8 × 125	200	0.53	185	280	14	12	125
10 × 150	300	0.79	210	325	16	14	150
12 × 200	500	1.41	275	430	19	18	200
16 × 250	1000	3.18	345	540	23	24	250
20 × 300	1500	4.96	435	670	28	26	300
22 × 330	2200	7.79	480	740	34	32	330
24 × 350	3000	9.58	555	830	36	36	350

HAMBURGER TURNBUCKLE / DEE-DEE TURNBUCKLE



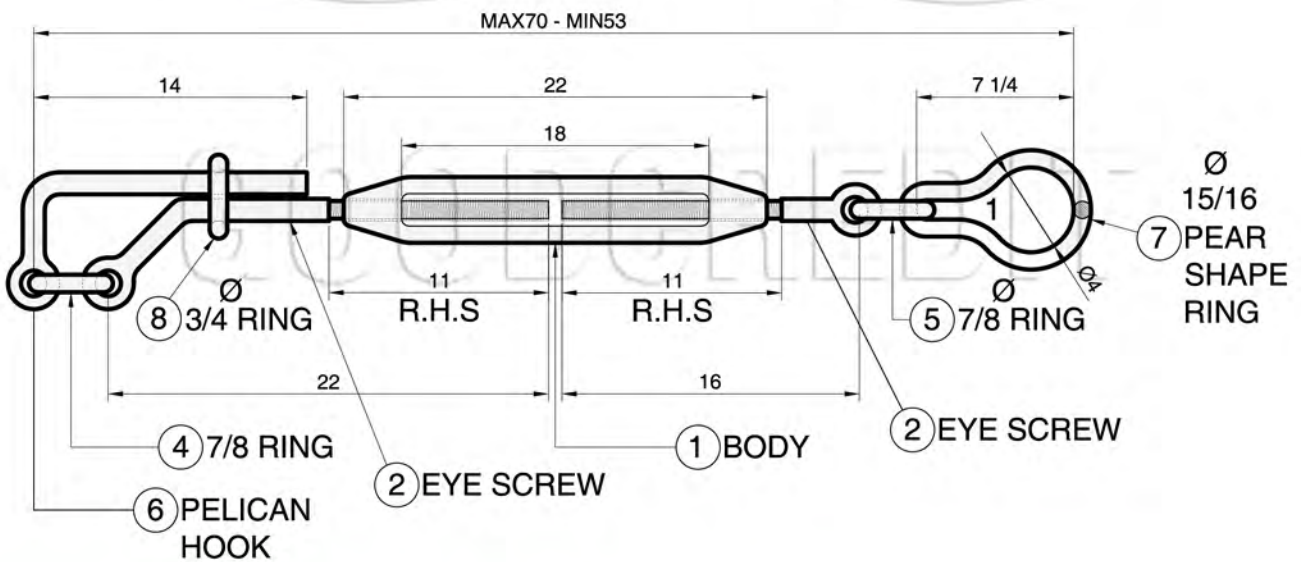
Size (M)	Breaking Load (t)	Weight (kg)	Dimensions (mm)								
			A	B	C	D	H	1	2	R1	R2
M24	13	2.9	400	75	35	210	22	16	12	15	20
	18	2.9	400	75	35	210	36	18	12	15	20
M24	13	3.4	500	75	35	260	22	16	12	15	20
	18	3.4	500	75	35	260	36	18	12	15	20
M27	20	4	400	75	35	210	33	20	12	17.5	21.5
	25	4	400	75	35	210	42	20	12	17.5	21.5
M27	20	4.6	500	75	35	260	33	20	12	17.5	21.5
	25	4.6	500	75	35	260	42	20	12	17.5	21.5
M30	-	4.5	400	75	35	210	-	-	12	22.5	25.5
	25	4.5	400	75	35	210	45	22	12	22.5	25.5
M30	-	5.5	500	75	35	260	-	-	12	22.5	25.5
	25	5.5	500	75	35	260	45	22	12	22.5	25.5
M38	30	7.8	480	80	35	255	40	25	12	28	28
	-	9	480	80	35	-	-	-	-	-	-

JIS FRAME TYPE TURNBUCKLE



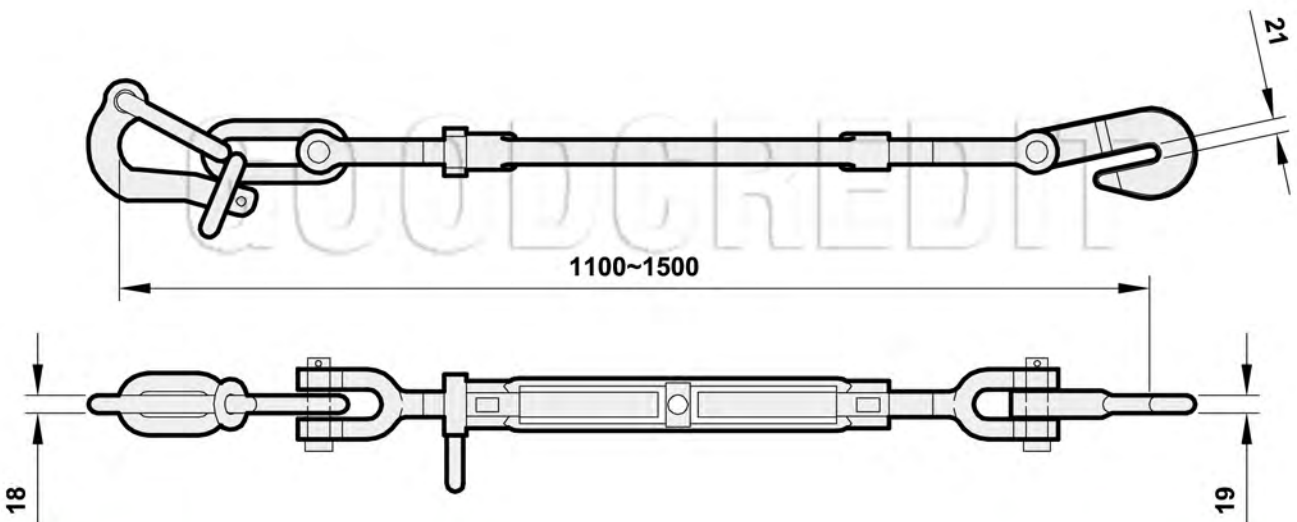
Size (D)	Body Only							Eye & Eye		Hook & Eye		Hook & Hook		With Stubs			
	A	B	C	T.L	W/ Pcs	F	T.L	W/ Pcs	T.L	W/ Pcs	E	T.L	W/ Pcs	H	I	G	W/ Pcs
mm in	mm in	mm	mm	Ton	kg	mm	Ton	kg	Ton	kg	mm	Ton	kg	mm	mm	mm	kg
6 1/4	100 4	78 11	1 0.08	10 0.1	0.12 0.04	0.11 9	0.04 0.11	80 50	5.3 0.11								
8 5/16	125 5	100 12.5	1.2 0.15	12 0.2	0.22 0.08	0.22 9	0.08 0.22	100 63	6.9 0.22								
9 3/8	150 6	120 12.5	1.5 0.17	16 0.5	0.3 0.15	0.29 11	0.15 0.29	130 75	8.3 0.27								
12 1/2	200 8	164 18	2 0.29	20 2	0.58 0.35	0.59 16	0.35 0.57	150 100	11.2 0.51								
16 5/8	250 10	202 21.5	3 0.52	22 3	1.07 0.7	1.05 19	0.7 1.03	180 125	14.2 0.95								
19 3/4	300 12	250 25	4 0.85	28 4	1.77 1	1.78 20	1 1.77	220 150	17.2 1.62								
22 7/8	325 13	269 28	5 1.17	33 5	2.55 1.5	2.58 21	1.5 2.6	250 165	20.3 2.34								
25 1	350 14	285 32.5	6 1.69	35 6	3.79 2	3.77 26	2 3.72	270 175	23.3 3.27								
32 1-1/4	400 16	310 45	8 3.51	36*70 10	7.6 3	7.52 34	3 7.44	300 200	29 6.52								
38 1-1/2	450 18	350 55	10 5.08	40*80 15	13.5 4	12.8 35	4 22	330 225	38 13								
44 1-3/4	500 20	386 57	- 9	- -	- -	- -	- 22	- 250	44 -								
50 2	550 22	420 65	- 11.5	- -	- -	- -	- 29	- 275	50 -								

DECKLASHING TURNBUCKLE WITH PELICAN AND PEAR SHAPE LINK



Size (in)	Working Load Limit (t)	Dimensions (mm)		Weight (kg)
		Max. Length	Min. Length	
1-1/4 x 18	25.5	1775	1270	16.8

DECKLASHING TURNBUCKLE, SLIP HOOK & HOOK TYPE

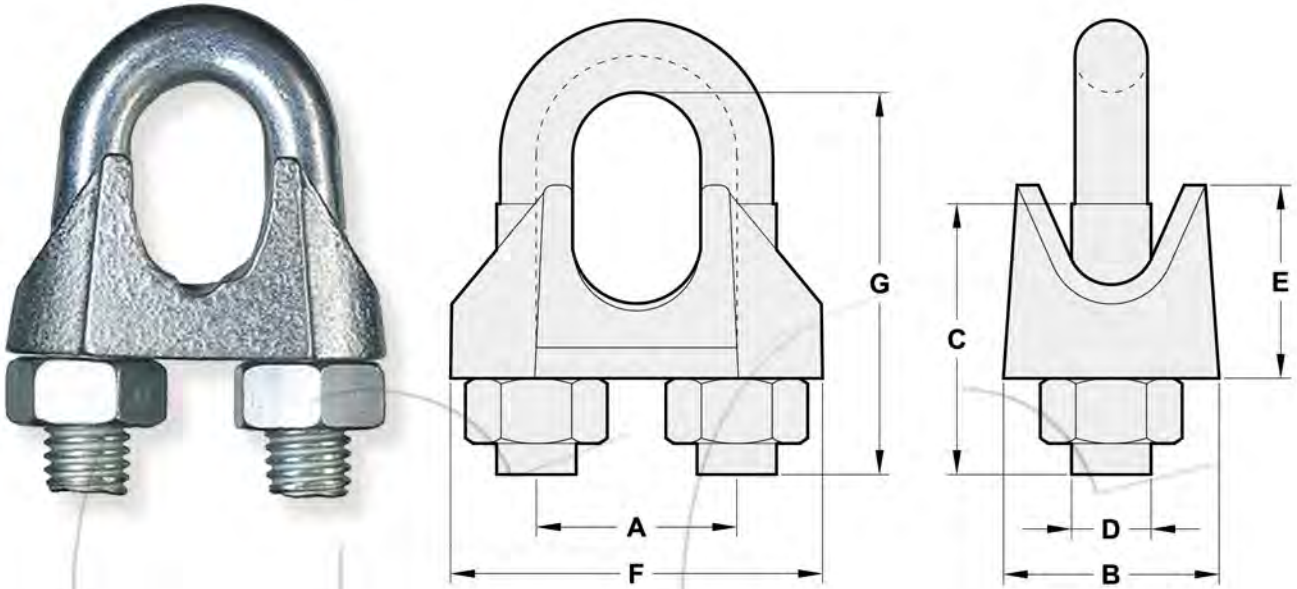


Size (in)	S.W.L (kn)	B.L (kn)	Dimensions (mm)		Weight (kg)
			Max. Length	Min. Length	
1 × 18	40	160	1500	1100	12.5

If you are in need of other types
not listed in our catalogue
please contact our sales department.

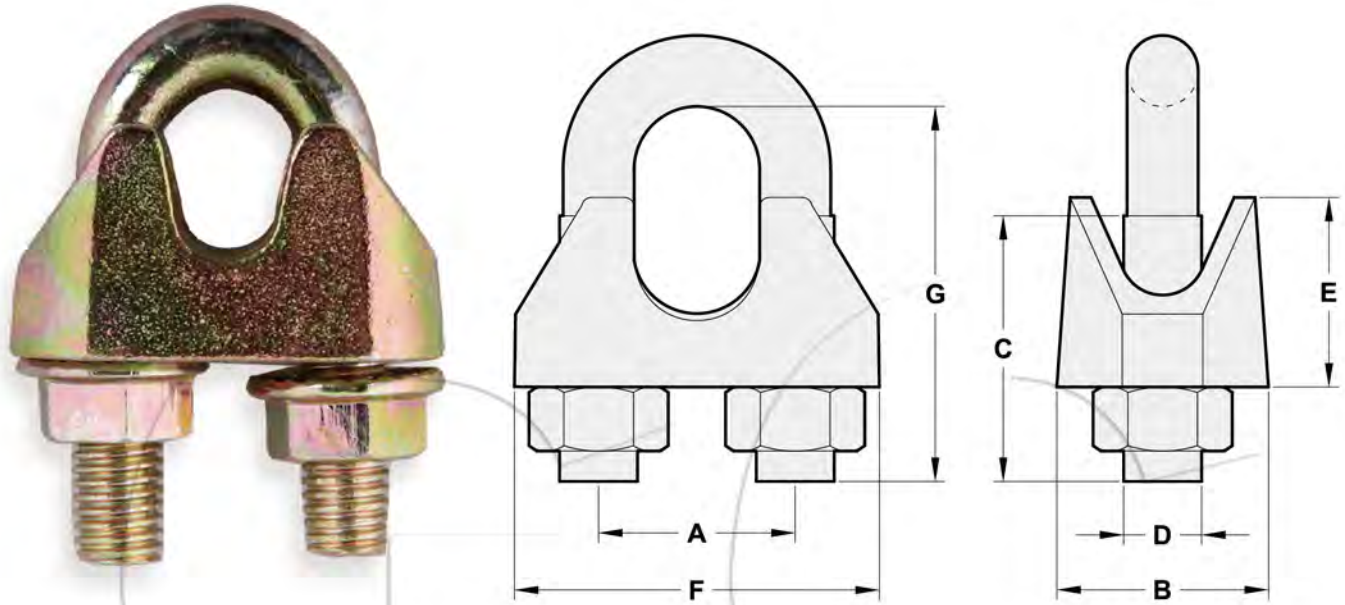






- Meet Performance requirements of Germany Standard
- Finish: Electric gvanized
- Packing available with Carton Box or Gunny Bag

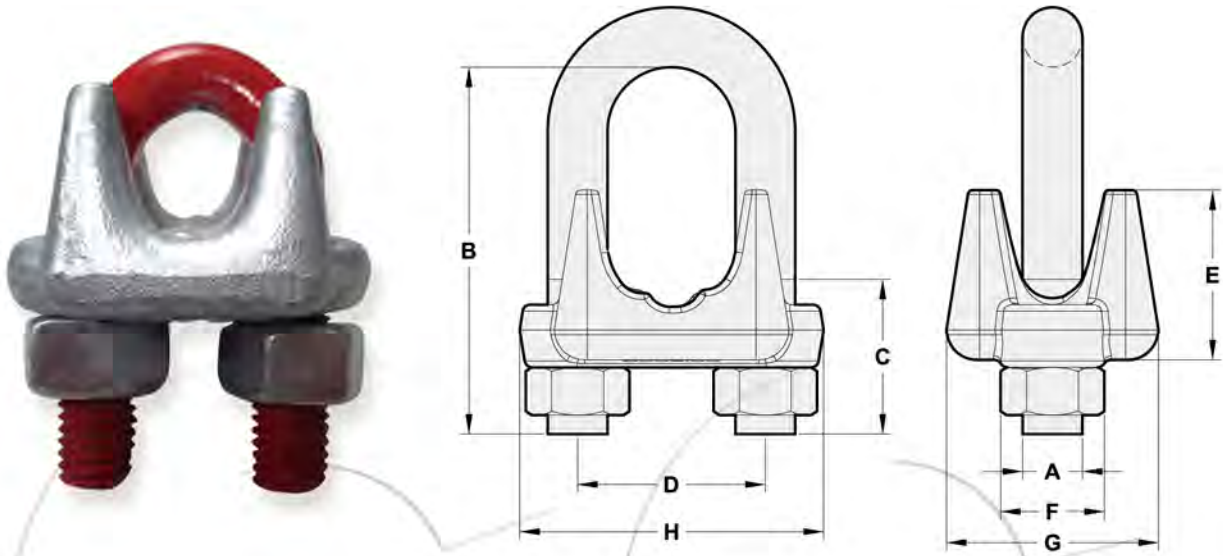
Size		Weight (kg)	Dimensions (mm)						
mm	in		A	B	C	D	E	F	G
3	1/8	0.014	9	10	12	4	10	21	20
5	3/16	0.015	11	11	13	5	10	23	24
6.5	1/4	0.021	13	12	15	5	11	26	28
8	5/16	0.041	16	14	19	6	15	30	34
10	3/8	0.068	19	18	22	8	17	34	42
11	7/16	0.072	20	19	22	8	18	36	54
13	1/2	0.130	24	23	30	10	21	42	55
14	9/16	0.135	25	23	30	10	22	44	57
16	5/8	0.210	29	26	33	12	26	50	63
19	3/4	0.280	32	29	38	12	30	54	75
22	7/8	0.400	37	33	44	14	34	61	85
26	1	0.440	41	35	45	14	37	65	95
30	1-1/8	0.660	48	37	50	16	43	74	110
34	1-1/4	0.850	52	42	55	16	50	80	120
40	1-1/2	1.040	58	45	60	16	55	88	140



- Meet Performance requirements of Germany Standard
- Finish: Electric gvanized
- Packing available with Carton Box or Gunny Bag

Size	Weight Per 100 (kg)	Dimensions (mm)						
		A	B	C	D	E	F	G
5	2.08	5	13	13	5	13	25	25
6.5	4	6	16	17	6	14	30	32
8	8.2	8	20	20	8	18	39	41
10	9.2	8	20	24	8	21	40	46
13	27.5	12	28	30	12	29	55	64
16	43	14	32	35	14	35	64	76
19	49	14	32	36	14	40	68	83
22	68	16	34	40	16	44	74	96
26	117	20	38	50	20	51	84	111
30	140	20	41	55	20	59	95	127
34	213	22	45	60	22	67	105	141
40	268	24	49	65	24	77	117	159

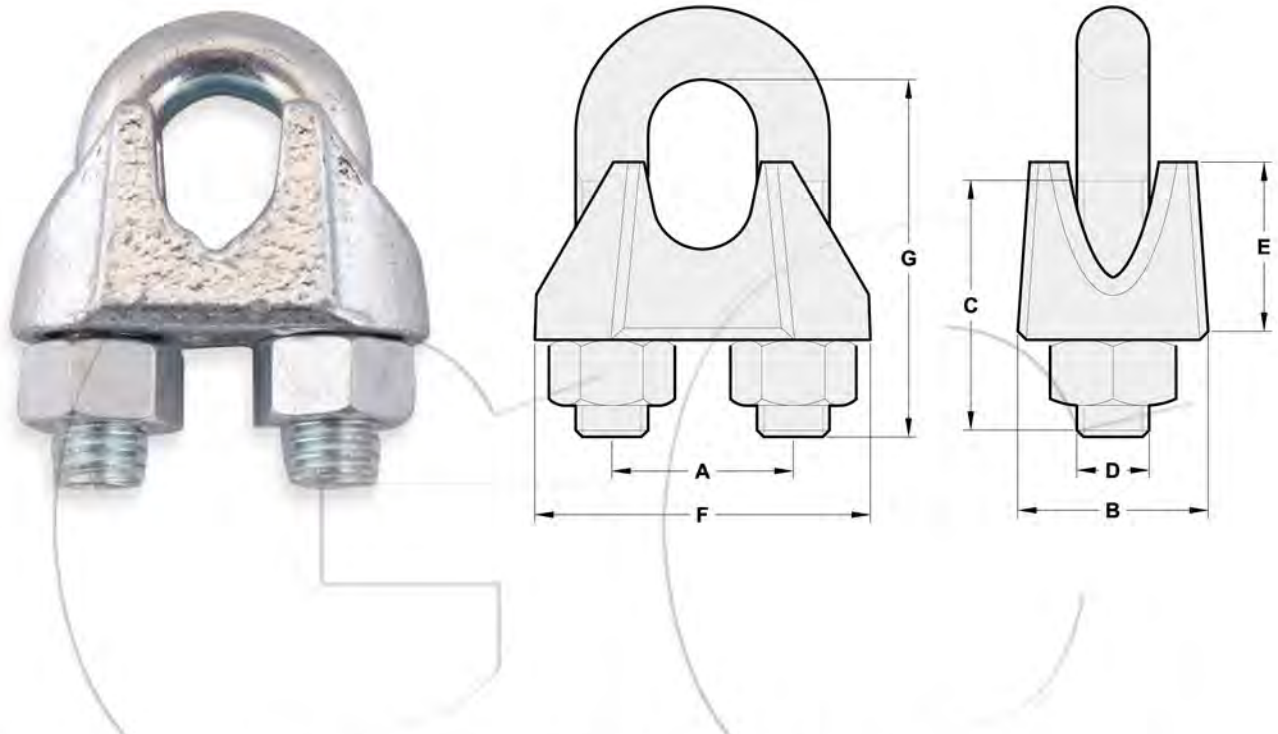
US TYPE FORGED WIRE ROPE CLIPS G450



- Meet Performance requirements of Federal Specification FF-C-450D Type 1, Class 1
- Available with Drop Forged Steel
- Finish: Hot Dip Galvanized according to ASTM A153, Powder Coated or Electroplated
- Packing available with Carton Box or Gunny Bag

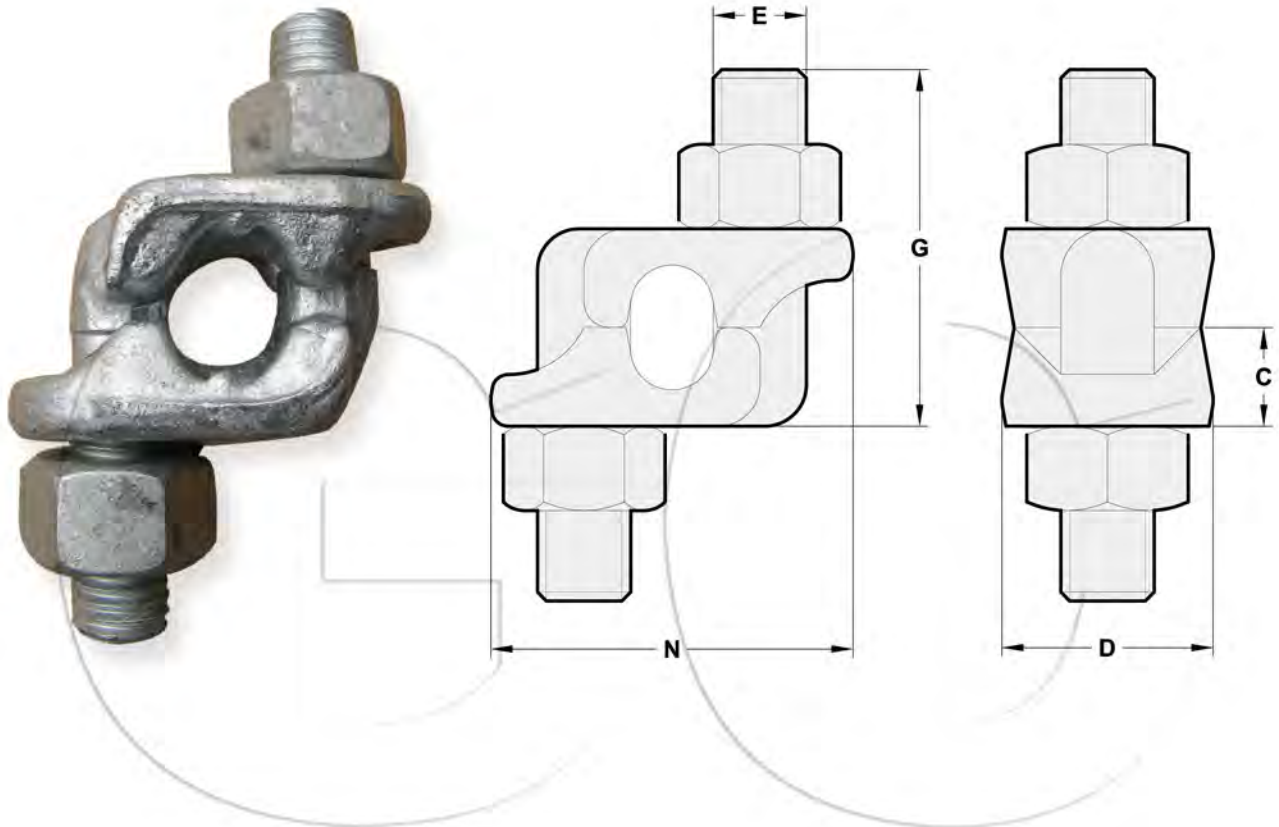
Rope Size		Standard Package Qty.	Weight Per 100 (lbs)	Dimensions (in)							
(in)	(mm)			A	B	C	D	E	F	G	H
1/8	3-4	100	6	0.22	0.72	0.44	0.47	0.37	0.38	0.81	0.99
3/16	5	100	10	0.25	0.97	0.56	0.59	0.50	0.44	0.94	1.18
1/4	6-7	100	19	0.31	1.03	0.50	0.75	0.66	0.56	1.19	1.43
5/16	8	100	28	0.38	1.38	0.75	0.88	0.73	0.69	1.31	1.66
3/8	9-10	100	48	0.44	1.50	0.75	1.00	0.91	0.75	1.63	1.94
7/16	11	50	78	0.50	1.88	1.00	1.19	1.13	0.88	1.91	2.28
1/2	12-13	50	80	0.50	1.88	1.00	1.19	1.13	0.88	1.91	2.28
9/16	14-15	50	109	0.56	2.25	1.25	1.31	1.34	0.94	2.06	2.50
5/8	16	50	110	0.56	2.25	1.25	1.31	1.34	0.94	2.06	2.50
3/4	18-20	25	142	0.62	2.75	1.44	1.50	1.39	1.06	2.25	2.84
7/8	22	25	212	0.75	3.12	1.62	1.75	1.58	1.25	2.44	3.16
1	24-26	10	252	0.75	3.50	1.81	1.88	1.77	1.25	2.63	3.47
1-1/8	28-30	10	283	0.75	3.88	2.00	2.00	1.91	1.44	2.81	3.59
1-1/4	32-34	10	438	0.88	4.44	2.22	2.34	2.17	1.44	3.13	4.13
1-3/8	36	10	442	0.88	4.44	2.22	2.34	2.31	1.44	3.13	4.19
1-1/2	38	10	544	0.88	4.94	2.38	2.59	2.44	1.63	3.41	4.44
1-5/8	41-42	Buck	704	1.00	5.31	2.62	2.75	2.66	1.81	3.63	4.75
1-3/4	44-46	Buck	934	1.13	5.75	2.75	3.06	2.92	2.00	3.81	5.24
2	48-52	Buck	1300	1.25	6.44	3.00	3.38	3.03	2.00	4.44	5.88
2-1/4	56-58	Buck	1600	1.25	7.13	3.19	3.88	3.19	2.00	4.56	6.38
2-1/2	62-65	Buck	1900	1.25	7.69	3.44	4.13	3.69	2.00	4.69	6.63
2-3/4	68-72	Buck	2300	1.25	8.31	3.56	4.38	4.88	2.00	5.00	6.88
3	75-78	Buck	3100	1.50	9.19	3.88	4.75	4.44	2.38	5.31	7.61
3-1/2	85-90	Buck	4000	1.50	10.75	4.50	5.50	6.00	2.38	6.19	8.38

US TYPE MALLEABLE WIRE ROPE CLIPS



- Meet Performance requirements of Federal Specification FF-C-450D Type 1, Class 2
- Available with Casted Steel
- Finish: Hot Dip Galvanized according to ASTM A153, or Electroplated
- Packing available with Carton Box or Gunny Bag

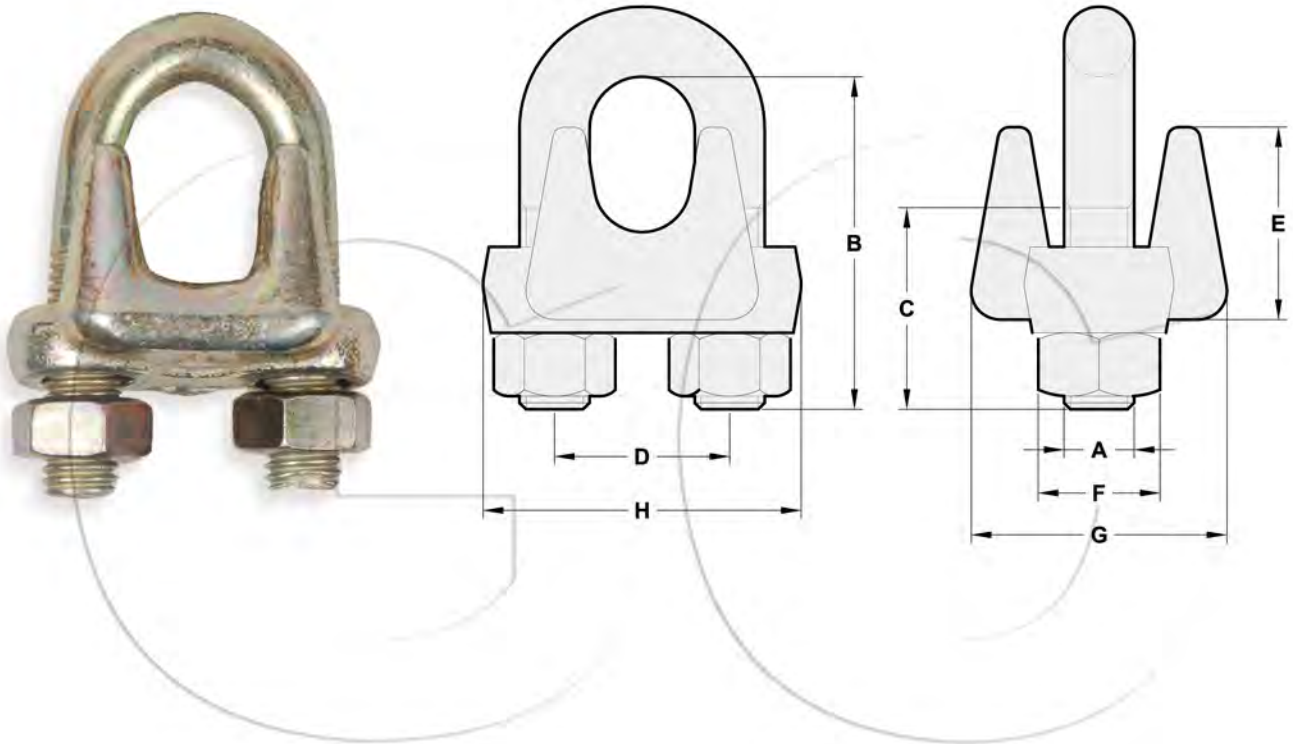
Rope Size		Weight Each (kg)	Dimensions (in)						
(in)	(mm)		A	B	C	D	E	F	G
1/16	1.5-2	0.0136	0.38	0.45	0.45	0.15	0.45	0.69	0.65
1/8	3-4	0.0182	0.50	0.56	0.50	0.18	0.50	0.94	0.81
3/16	5	0.0286	0.56	0.63	0.56	0.25	0.56	1.06	0.94
1/4	6-7	0.0591	0.75	0.75	0.75	0.31	0.75	1.31	1.19
5/16	8	0.0682	0.75	0.75	0.84	0.31	0.84	1.44	1.31
3/8	9-10	0.0955	0.88	0.88	1.00	0.38	1.00	1.63	1.63
7/16	11	0.1682	1.06	1.06	1.19	0.44	1.19	1.88	2.00
1/2	12-13	0.1682	1.06	1.06	1.19	0.44	1.19	1.88	2.00
9/16	14-15	0.2682	1.25	1.28	1.38	0.50	1.38	2.09	2.31
5/8	16	0.2682	1.25	1.28	1.38	0.50	1.38	2.09	2.31
3/4	18-20	0.3818	1.31	1.56	1.56	0.56	1.56	2.38	2.56
7/8	22	0.5682	1.63	1.81	1.81	0.63	1.81	2.88	3.06
1	24-26	0.7545	1.88	2.00	2.00	0.63	2.00	3.00	3.44
1-1/8	28-30	1.1045	2.00	2.06	2.75	0.75	2.75	3.38	4.00



- Meet Performance requirements of Federal Specification FF-C-450D Type 1, Class 3
- Available with Drop Forged Steel
- Finish: Hot Dip Galvanized according to ASTM A153, or Electro-galvanized
- Packing available with Carton Box or Gunny Bag

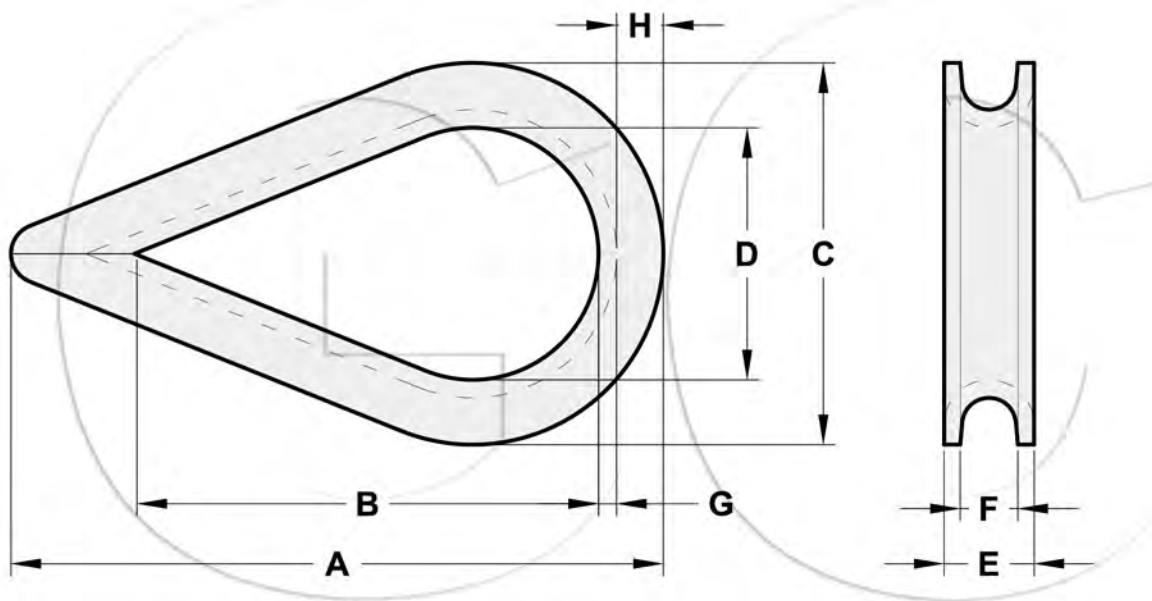
Rope Size		Weight Per 100 (lbs)	Dimensions (in)				
(in)	(mm)		C	D	E	G	N
3/16-1/4	5-7	23	0.40	0.94	0.38	1.41	1.44
5/16	8	28	0.47	1.06	0.38	1.50	1.54
3/8	10	40	0.51	1.06	0.44	1.84	1.78
7/16-1/2	11-13	62	0.59	1.25	0.50	2.21	2.15
9/16-5/8	14-16	103	0.72	1.50	0.63	2.72	2.57
3/4	18-20	175	0.86	1.81	0.75	2.94	2.67
7/8	22	225	0.97	2.12	0.75	3.31	2.86
1	24-26	300	1.13	2.25	0.75	3.72	3.06
1-1/8	28-30	400	1.28	2.38	0.88	4.22	3.44
1-1/4	32-34	400	1.34	2.50	0.88	4.25	3.56
1-3/8 - 1-1/2	36-40	700	1.56	3.00	1.00	5.56	4.12

TYPE A WIRE ROPE CLIPS



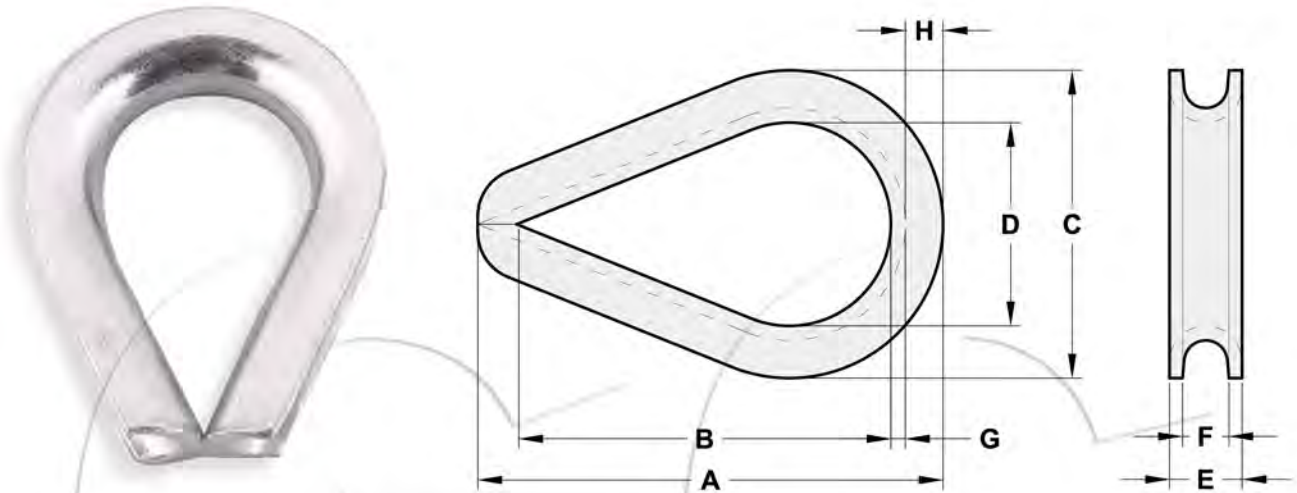
Size (mm)	Weight Per 100 (kg)	Dimensions (mm)						
		A	B	C	D	E	F	G
6	2.5	12	17	14	5	14	23	24
8	4.5	15	21	16	6	17	28	30
10	9	19	28	20	8	21	38	37
12	18	24	34	25	10	27	45	47
15	28	29	40	30	12	32	52	56
20	47	36	47	36	14	38	62	70
22	62	40	52	39	16	43	69	77
25	85	43	56	44	18	50	76	85
28	120	48	62	48	20	57	85	95
32	157	55	67	51	22	61	93	108
40	261	64	81	62	24	73	111	120
45	363	72	88	70	27	86	123	137
50	480	80	95	80	30	95	135	154

US STANDARD THIMBLE G411



- Meet Performance requirements of Federal Specification FF-T-276b, Type II
- Finish: Hot Dip Galvanized
- Packing available with Carton Box or Gunny Bag

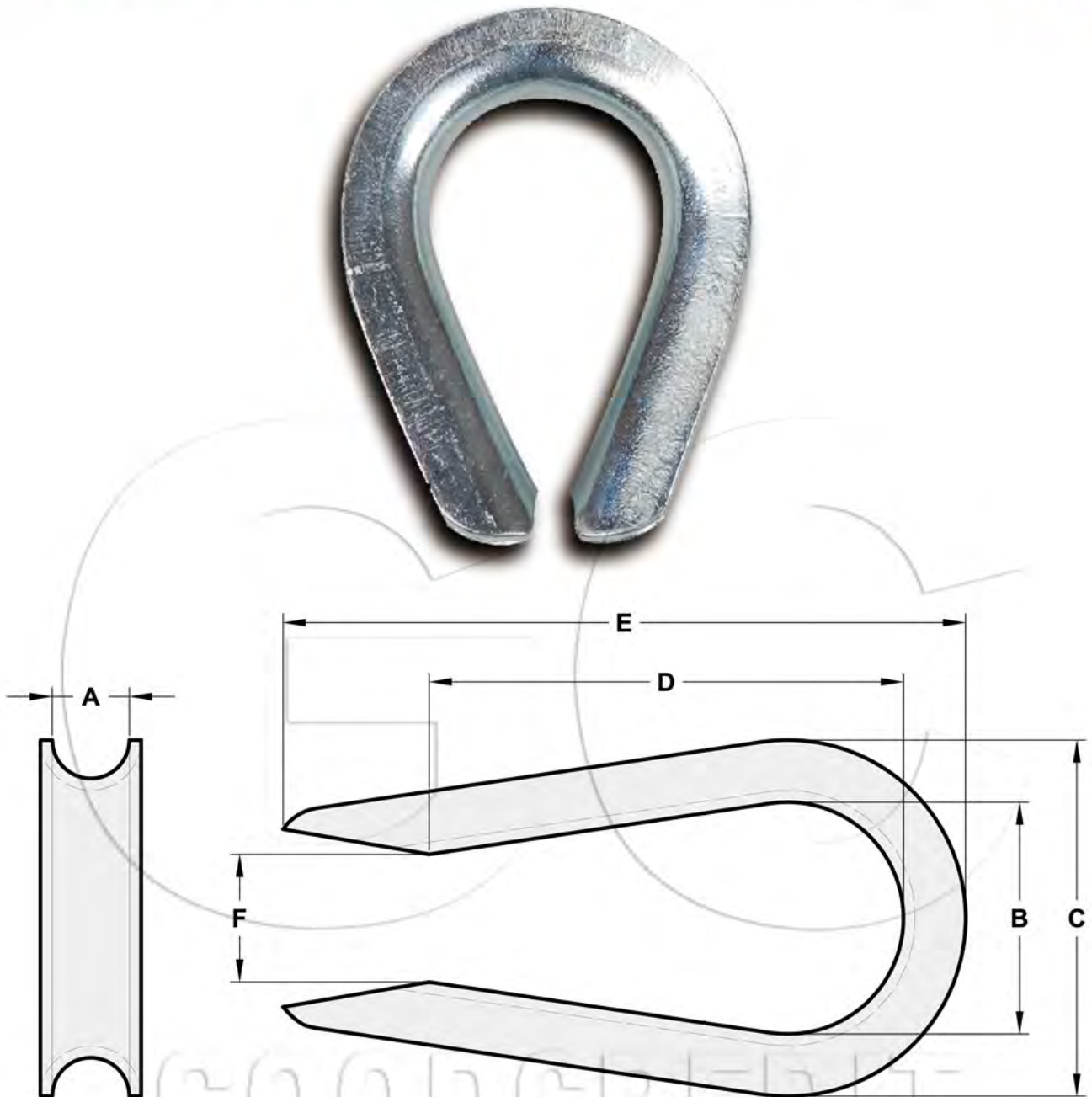
Rope Size		Weight Per 100 (lbs)	Dimensions (in)							
(in)	(mm)		A	B	C	D	E	F	G	H
1/8	3-4	3.5	1.94	1.31	1.06	0.69	0.25	0.16	0.05	0.13
3/16	5	3.5	1.94	1.31	1.06	0.69	0.31	0.22	0.05	0.13
1/4	6-7	3.5	1.94	1.31	1.06	0.69	0.38	0.28	0.05	0.13
5/16	8	4.0	2.13	1.50	1.25	0.81	0.44	0.34	0.05	0.13
3/8	9-10	6.7	2.38	1.63	1.47	0.94	0.53	0.41	0.06	0.16
1/2	11-13	12.5	2.75	1.88	1.75	1.13	0.69	0.53	0.08	0.19
5/8	16	34.5	3.50	2.25	2.38	1.38	0.91	0.66	0.13	0.34
3/4	18-20	47.1	3.75	2.50	2.69	1.63	1.08	0.78	0.14	0.34
7/8	22	84.6	5.00	3.50	3.19	1.88	1.27	0.94	0.16	0.44
1	24-26	97.5	5.69	4.25	3.75	2.50	1.39	1.06	0.16	0.41
1-1/8-1-1/4	28-32	175	6.25	4.50	4.31	2.75	1.75	1.31	0.22	0.50



- Meet Performance requirements of Federal Specification FF-T-276b, Type III
- Finish: Hot Dip Galvanized
- Packing available with Carton Box or Gunny Bag

Rope Size		Weight Per 100 (lbs)	Dimensions (in)							
(in)	(mm)		A	B	C	D	E	F	G	H
1/4	6-7	7	2.19	1.62	1.50	0.88	0.41	0.28	0.06	0.25
5/16	8	14	2.50	1.88	1.81	1.06	0.50	0.34	0.08	0.30
3/8	9-10	23	2.88	2.12	2.12	1.12	0.63	0.41	0.11	0.39
7/16	11-12	37	3.25	2.38	2.38	1.25	0.72	0.47	0.12	0.45
1/2-9/16	13-15	50	3.62	2.75	2.75	1.50	0.89	0.59	0.15	0.48
5/8	16	82	4.25	3.25	3.12	1.75	1.00	0.66	0.16	0.53
3/4	18-20	157	5.00	3.75	3.81	2.00	1.22	0.78	0.22	0.69
7/8	22	190	5.50	4.25	4.25	2.25	1.38	0.94	0.22	0.78
1	24-26	280	6.12	4.50	4.75	2.50	1.56	1.06	0.25	0.88
1-1/8-1-1/4	28-32	-	7.00	5.12	5.88	2.88	1.88	1.31	0.25	1.25
1-1/4-1-3/8	32-35	830	9.08	6.50	6.81	3.50	2.25	1.44	0.37	1.29
1-3/8-1-1/2	35-38	1250	9.00	6.25	7.12	3.50	2.62	1.56	0.50	1.31
1-5/8	40	-	11.25	8.00	8.12	4.00	3.00	1.72	0.50	1.38
1-3/4	44	1860	12.19	9.00	8.50	4.50	3.06	1.84	0.50	1.50
1-7/8-2	48-52	2780	15.12	12.00	10.38	6.00	3.38	2.09	0.50	1.69
2-1/4	56	-	17.50	14.00	11.88	7.00	3.88	2.38	0.62	1.82

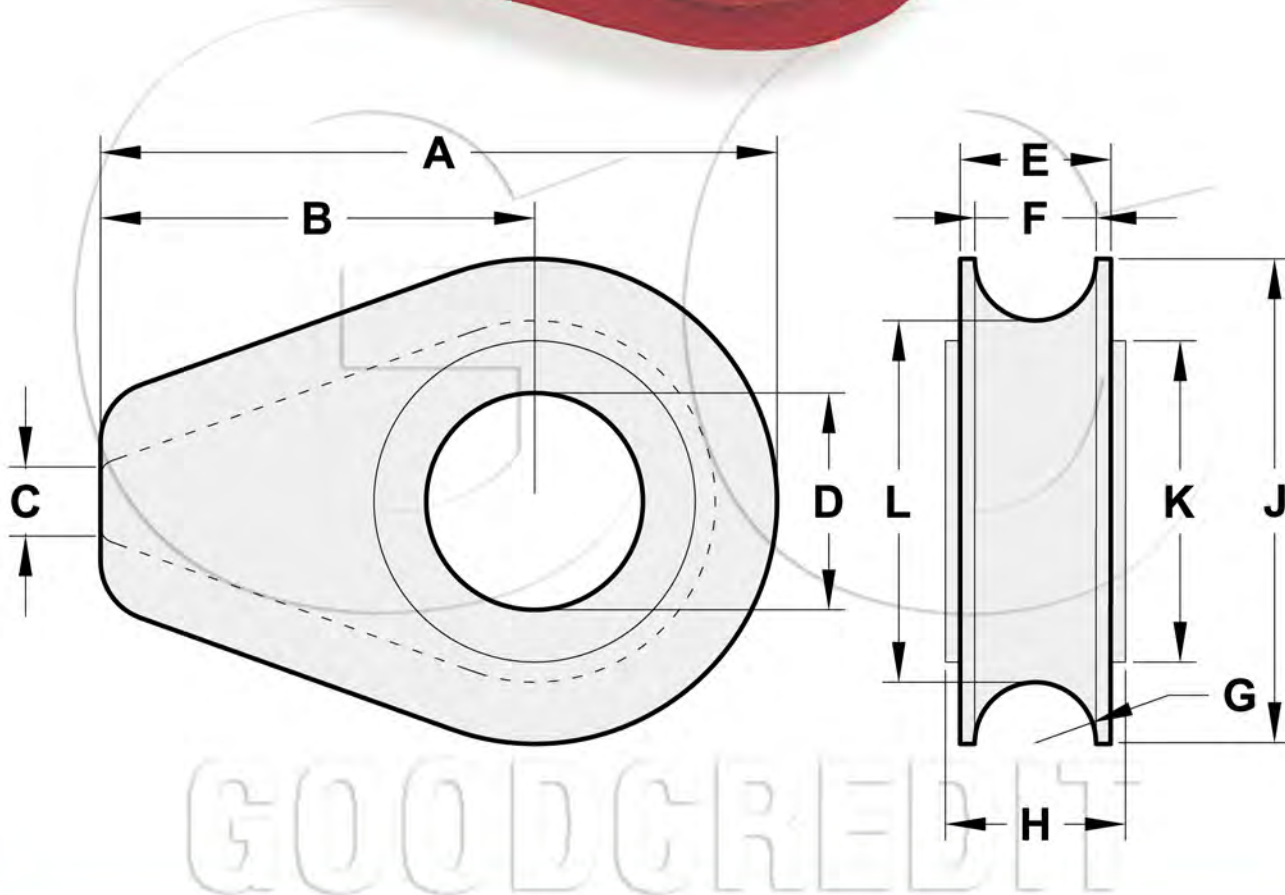
US TYPE OPEN PATTERN THIMBLES G408



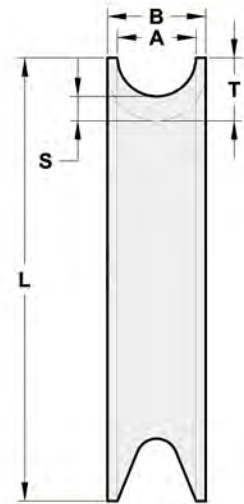
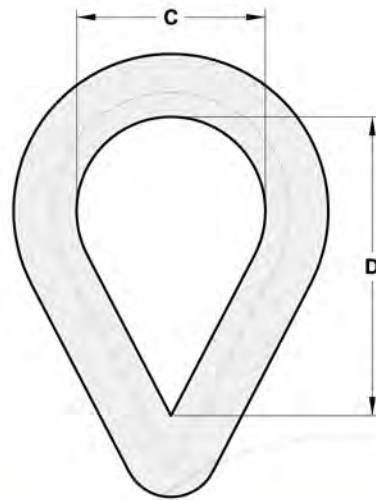
- Meet Performance requirements of Federal Specification FF-T-276b, Type III
- Finish: Hot Dip Galvanized
- Packing available with Carton Box or Gunny Bag

Size (in)	Weight Per 100 (lbs)	Dimensions (in)					
		A	B	C	D	E	F
1/4	3	0.28	0.69	1.06	1.41	2.03	0.38
5/16	3.8	0.34	0.81	1.25	1.53	2.16	0.50
3/8	7	0.44	0.94	1.47	1.72	2.47	0.62
1/2	12.5	0.53	1.12	1.75	1.97	2.84	0.75
5/8	25	0.66	1.38	2.38	2.34	3.59	1.00

US TYPE SOLID WIRE ROPE THIMBLES S412

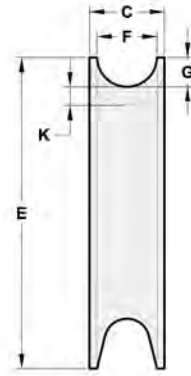
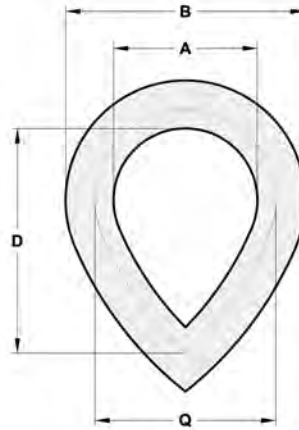


Rope Size		Weight Per 100 (lbs)	Dimensions (in)										
(in)	(mm)		A	B	C	D	E	F	G	H	J	K	L
1/2	13	0.61	2.81	1.75	0.25	1.06	0.75	0.56	0.28	0.88	2.13	1.63	1.56
5/8	16	2.21	4.69	3.00	0.38	1.31	1.06	0.81	0.41	1.13	3.38	2.25	2.56
3/4	18-20	2.32	4.69	3.00	0.38	1.50	1.06	0.81	0.41	1.38	3.38	2.25	2.56
7/8	22	5.45	6.06	3.81	0.50	1.75	1.38	1.06	0.53	1.63	4.50	3.25	3.44
1	24-26	5.25	6.06	3.81	0.50	2.13	1.38	1.06	0.53	1.81	4.50	3.25	3.44
1-1/8	28-30	9.29	7.25	4.56	0.63	2.38	1.75	1.31	0.66	2.06	5.38	3.88	4.06
1-1/4 - 1-3/8	32-35	9.81	7.25	4.56	0.63	2.63	1.94	1.53	0.78	2.31	5.38	3.88	4.13



Size (mm)	Dimensions (mm)					
	A	B	C	D	S	T
2.5	2.5-3	4.5	12	19	1.6	4
3.5	3.5-4	5.5	13	21	1.6	4.25
4	4-5	6.5	14	23	1.9	4.5
5	5-6	7.5	16	25	2.4	6.5
6	6-7	8.5	18	28	2.4	7
7	7-8	10	20	32	2.8	8
9	9-10	12.5	24	38	3.1	8
11	11-12	15	28	45	3.3	9.5
13	13x13	16	30	48	3.3	10
13x14	13-14	17.5	32	51	3.7	11
15	15-16	20	36	58	3.8	12.5
17x17	17x17	21	38	61	4.5	13
16	16-18	22	40	64	4.7	13
18	18-20	24.5	45	72	5.7	15
20	20-22	27	50	80	5.7	16
22	22-24	30	56	90	6.5	17
24	24-26	33	62	99	6.8	21.5
26	26-28	35	70	112	8	23
28	28-30	37	75	120	8	25.5
30	30-32	39	80	128	8	26.5
32	32-34	41	95	152	8	27
34	34-36	43	100	160	8.5	27.5
36	36-38	45	110	176	8.5	27.5
38	38-40	48	115	184	10.5	33
40	40-42	50	120	192	10.5	33
42	42-45	57	150	240	10.5	37.5
46	46-48	58	160	256	14	42
50	50-52	60	170	272	16	46
54	54-56	64	180	288	20	52
56	56-58	67	180	299	21	53
62	62-64	74	190	300	22	55
64	64-66	77	200	320	23	56

BS464 THIMBLES



Nominal Dia of Rope	Approx Circle		A		B		C		D		E		F		G		K		Q	
	in	mm	in	mm	in	mm	in	mm	in	mm	in	mm	in	mm	in	mm	in	mm	in	mm
5/16	8	1	7/8	22.2	1-1/2	1/2	12.7	1-5/16	33.4	2-1/8	52	4/16	7.9	5/32	4	5/32	4	1-3/16	30.1	
3/8	9	1-1/4	1	25.4	1-7/8	9/16	14.3	1-1/2	38	2-1/2	64	13/32	10.3	1/4	6.3	3/16	4.8	1-3/8	35	
7/16	11	1-1/2	1-1/8	28.6	2-1/8	11/16	17.5	1-1/2	41.3	2-7/8	73	1/2	12.7	5/16	7.9	3/16	4.8	1-1/2	38	
1/2	13	1-5/8	1-1/4	31.7	2-5/16	13/16	20.6	1-3/4	44.5	3-1/8	79.4	9/16	14.3	5/16	7.9	7/32	5.5	1-11/16	42.9	
9/16	14	1-3/4	1-1/4	31.7	2-5/16	13/16	20.6	1-3/4	44.5	3-1/8	79.4	9/16	14.3	5/16	7.9	7/32	5.5	1-11/16	42.9	
5/8	16	2	1-5/8	41.3	2-15/16	7/8	22.2	2-5/16	58.8	3-7/8	95.8	5/8	15.9	11/32	8.7	5/16	7.9	2-1/4	56	
11/16	17	2-1/4	1-3/4	44.5	3-1/8	1-1/8	28.6	2-5/8	66.6	4-1/4	108	3/4	19	3/8	9.5	5/16	7.9	2-3/8	60.4	
3/4	19	2-3/8	2	50.8	3-5/8	1-1/8	28.6	2-7/8	73	4-7/8	124	13/16	20.6	7/16	11.1	3/8	9.5	2-3/4	69.8	
13/16	21	2-1/2	2	50.8	3-5/8	1-1/8	28.6	2-7/8	73	4-7/8	121	13/16	20.6	7/16	11.1	3/8	9.5	2-3/4	69.8	
7/8	22	2-3/4	2-1/4	56	4	1-1/4	31.7	3-1/4	82.5	4-1/4	131	7/8	22.2	1/2	12.7	3/8	9.5	3	76.2	
15/16	24	3	2-1/2	64	5-11/16	1-5/16	33.4	3-5/8	92	5-3/4	146	1	25.4	1/2	12.7	13/32	10.3	3-5/16	84	
1	25	3-1/4	2-3/4	69.8	5-11/16	1-3/8	35	4-1/4	108	6-3/8	162	1-1/16	27	9/16	14.3	13/32	10.3	3-9/16	90.5	
1-1/8	29	3-1/2	3	76.2	5-1/4	1-1/8	38	4-3/8	112	7	178	1-1/8	28.6	5/8	15.9	1/2	12.7	4	102	
1-1/4	32	4	3-3/4	95	6	1-5/8	41.3	5-1/4	133	7-3/4	197	1-5/16	33.4	5/8	15.9	1/2	12.7	4-3/4	121	
1-3/8	35	4-1/2	4-1/8	105	6-7/8	1-7/8	47.6	6	152	9	228	1-1/2	38	3/4	19	5/8	15.9	5-3/8	137	
1-1/2	38	5	4-1/2	114	7-3/4	2-1/8	52	6-1/2	165	10	254	1-5/8	41.3	15/16	23.8	1-1/16	17.5	5-7/8	149	
1-5/8	41	5-1/4	4-1/2	114	7-3/4	2-3/16	58.6	6-1/2	165	10	254	1-11/16	42.9	15/16	23.8	1-1/16	17.5	5-7/8	149	
1-3/4	44	5-1/2	5	127	9	2-1/4	56	7	178	11-1/4	286	2	50.8	1	25.4	1	25.4	7	178	
1-7/8	48	6	5-1/4	133	9-3/4	2-5/8	66.6	7-1/2	190	12-1/4	317	2-3/8	60.4	1-1/8	28.6	1-1/8	28.6	7-1/2	190	
2	51	6-1/4	5-1/2	140	10-1/8	2-2/4	69.8	8	203	13	330	2-1/8	64	1-3/16	30.1	1-1/8	28.6	7-3/4	197	
2-1/8	54	6-1/2	5-1/2	140	10-1/8	2-3/4	69.8	8	203	13	330	2-1/2	64	1-3/16	30.1	1-1/8	28.6	7-3/4	197	
2-1/4	57	7	5-3/4	146	10-5/8	3	76.2	8-1/2	216	14	356	2-5/8	66.6	1-1/4	31.7	1-3/16	30.1	8-1/3	206	
2-1/2	64	8	6-1/4	159	12-1/4	3-3/4	95	9-1/2	242	16-1/4	414	2-3/4	69.8	1-3/4	44.5	1-1/4	31.7	8-3/4	222	

If you are in need of other types
not listed in our catalogue
please contact our sales department.

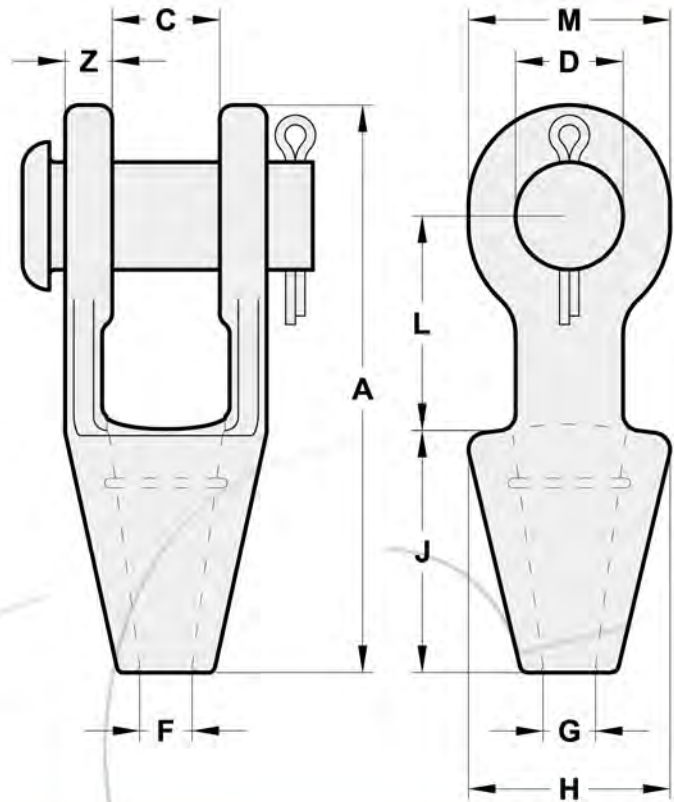




GOODCREDIT



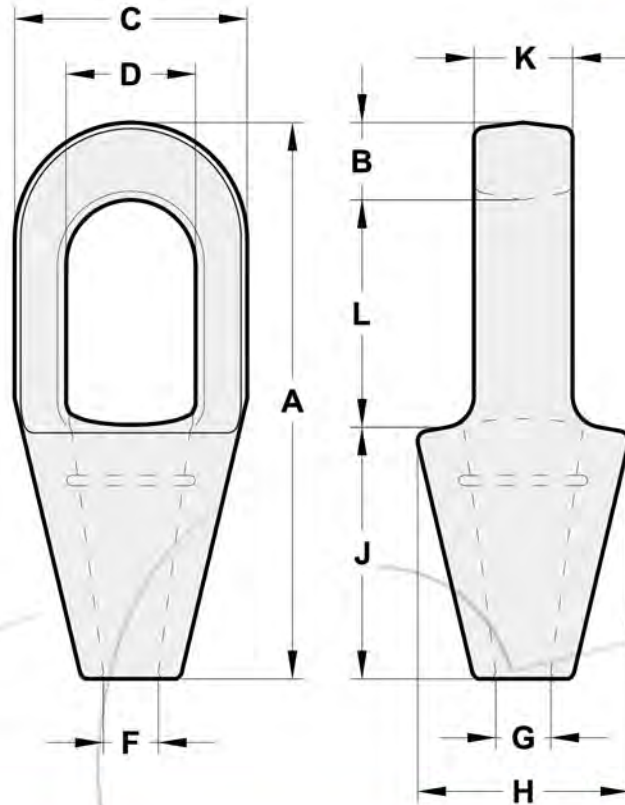
G416/S416 OPEN SPELTER SOCKETS



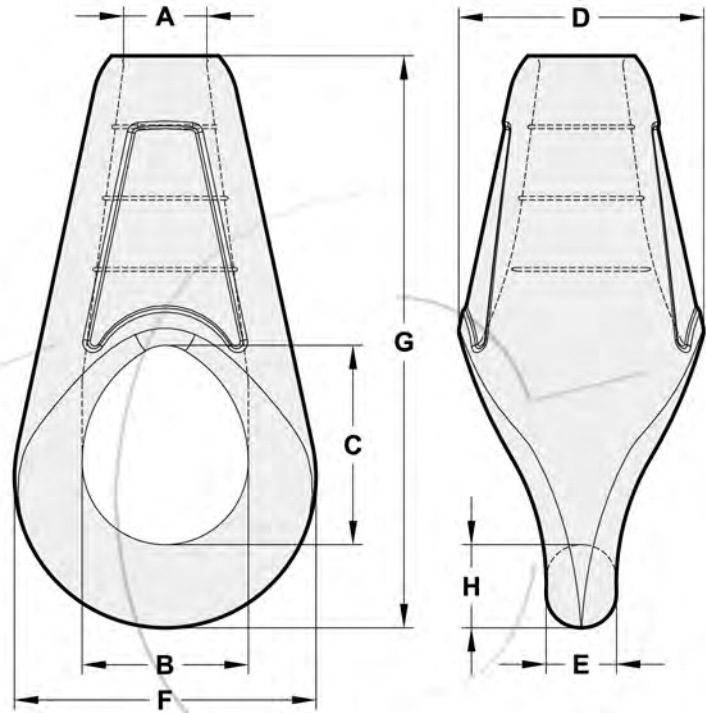
Rope Size		Ultimate Load (t)	Weight Each (lbs)	Dimensions (in)									
(in)	(mm)			A	C	D	F	G	H	J	L	M	N
1/4	6-7	4.5	1.10	4.56	0.75	0.69	0.38	0.69	1.56	2.25	1.56	1.31	0.56
5/16-3/8	8-10	12	1.30	4.84	0.81	0.81	0.50	0.81	1.69	2.25	1.75	1.50	0.44
7/16-1/2	10-13	20	2.25	5.56	1.00	1.00	0.56	0.94	1.88	2.50	2.00	1.88	0.50
9/16-5/8	14-16	27	3.60	6.75	1.25	1.19	0.69	1.13	2.25	3.00	2.50	2.25	0.56
3/4	18	43	5.83	7.94	1.50	1.38	0.81	1.25	2.62	3.50	3.00	2.62	0.62
7/8	20-22	55	9.65	9.25	1.75	1.63	0.94	1.50	3.25	4.00	3.50	3.13	0.80
1	24-26	78	15.50	10.56	2.00	2.00	1.13	1.75	3.75	4.50	4.00	3.75	0.88
1-1/8	28-30	92	21.50	11.81	2.25	2.25	1.25	2.00	4.12	5.00	4.62	4.12	1.00
1-1/4-1-3/8	32-35	136	31.00	13.19	2.50	2.50	1.50	2.25	4.75	5.50	5.00	4.75	1.13
1-1/2	38	170	47.25	15.12	3.00	2.75	1.63	2.75	5.25	6.00	6.00	5.38	1.19
1-5/8	40-42	188	55.00	16.25	3.00	3.00	1.75	3.00	5.50	6.50	6.50	5.75	1.38
1-3/4-1-7/8	44-48	288	82.00	18.25	3.50	3.50	2.00	3.13	6.38	7.50	7.00	6.50	1.50
2-2-1/8	50-54	291	129.00	21.50	4.00	3.75	2.25	3.75	7.38	8.50	9.00	7.00	1.81
2-1/4-2-3/8	56-60	360	167.00	23.50	4.50	4.25	2.50	4.00	8.25	9.00	10.00	7.75	2.13
2-1/2-2-5/8	64-67	424	252.00	25.50	5.00	4.75	2.88	4.50	9.25	9.75	10.75	8.50	2.38
2-3/4--2-7/8	70-73	511	315.00	27.25	5.25	5.00	3.12	4.88	10.50	11.00	11.00	9.00	2.28
3-2-1/8	75-80	563	380.00	29.00	5.75	5.25	3.38	5.25	11.12	12.00	11.25	9.50	3.00
3-1/4-3-3/8	82-86	722	434.00	30.88	6.25	5.50	3.62	5.75	11.88	13.00	11.75	10.00	3.12
3-1/2-3-5/8	88-92	779	563.00	33.25	6.75	6.00	3.88	6.50	12.38	14.00	12.50	10.75	3.25
3-3/4-4	94-102	875	783.00	36.25	7.50	7.00	4.25	7.25	13.62	15.00	13.50	12.50	3.50

⚠ WARNING Never exceed Working Load Limit

G417/S417 CLOSED SPELTER SOCKETS



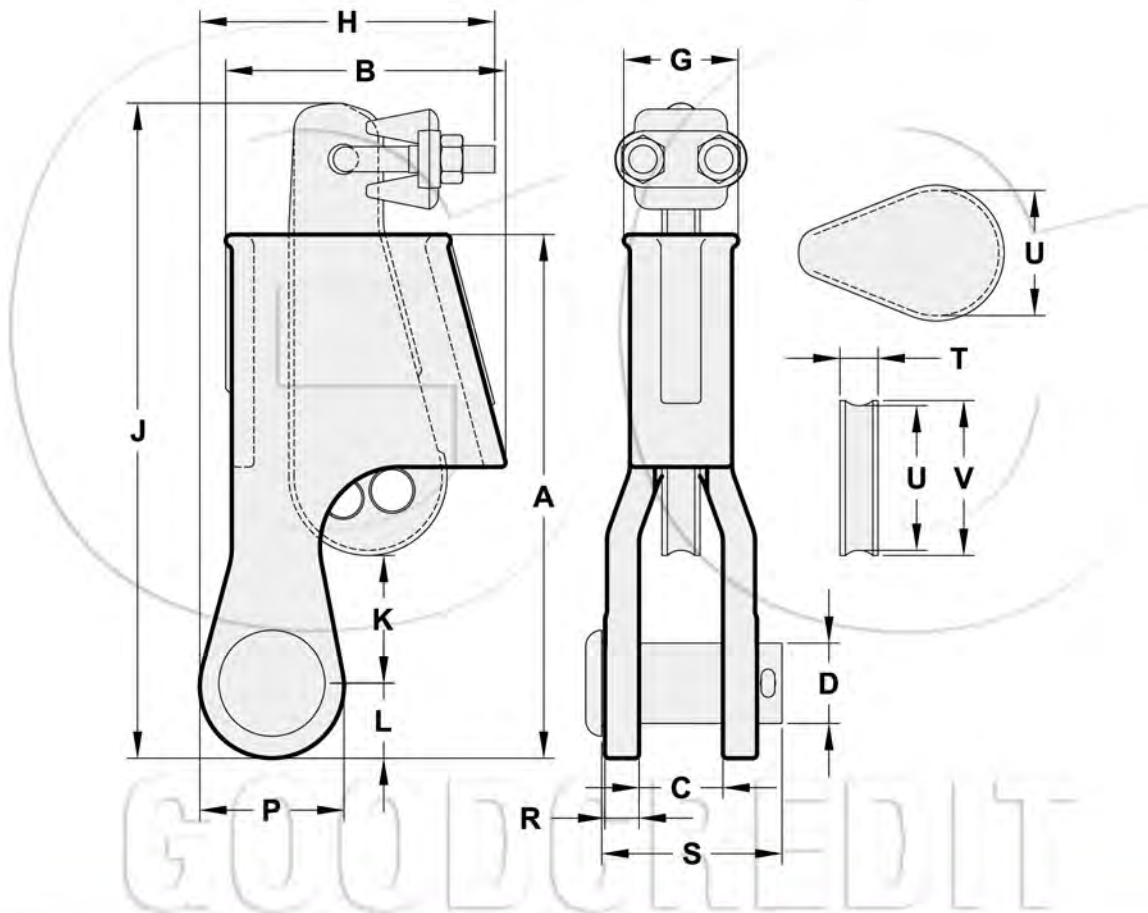
Rope Size		Ultimate Load (t)	Weight Each (lbs)	Dimensions (in)									
(in)	(mm)			A	B	C	D	F	G	H	J	K	L
1/4	6-7	4.5	0.50	4.50	0.50	1.50	0.88	0.38	0.69	1.56	2.25	0.50	1.75
5/16-3/8	8-10	12	0.75	4.94	0.62	1.69	0.97	0.50	0.81	1.69	2.25	0.69	2.06
7/16-1/2	10-13	20	1.50	5.50	0.69	2.00	1.16	0.56	0.94	2.00	2.50	0.88	2.31
9/16-5/8	14-16	30.8	2.50	6.31	0.81	2.63	1.41	0.69	1.12	2.38	3.00	1.00	2.50
3/4	18	43.5	4.25	7.62	1.06	3.00	1.66	0.88	1.25	2.75	3.50	1.25	3.06
7/8	20-22	65.3	7.25	8.75	1.25	3.63	1.94	1.00	1.50	3.25	4.00	1.50	3.50
1	24-26	81.6	10.50	9.88	1.38	4.13	2.30	1.13	1.75	3.75	4.50	1.75	4.00
1-1/8	28-30	100	14.25	11.00	1.50	4.50	2.56	1.25	2.00	4.13	5.00	2.00	4.50
1-1/4-1-3/8	32-35	137	19.75	12.12	1.63	5.00	2.81	1.50	2.25	4.75	5.50	2.25	5.00
1-1/2	38	170	29.20	13.94	1.94	5.38	3.19	1.63	2.75	5.25	6.00	2.50	6.00
1-5/8	40-42	188	36.00	15.13	2.13	5.75	3.25	1.75	3.00	5.50	6.50	2.75	6.50
1-3/4-1-7/8	44-48	268	57.25	17.25	2.19	6.75	3.75	2.00	3.13	6.38	7.50	3.00	7.56
2-2-1/8	50-54	309	79.00	19.87	2.44	7.63	4.38	2.25	3.75	7.38	8.50	3.25	8.81
2-1/4-2-3/8	56-60	360	105.00	21.50	2.75	8.50	5.00	2.63	4.13	8.25	9.00	3.63	9.75
2-1/2-2-5/8	64-67	424	140.00	23.50	3.12	9.50	5.50	2.88	4.50	9.25	9.75	4.00	10.62
2-3/4--2-7/8	70-73	549	220.00	25.38	3.12	10.75	6.25	3.12	4.88	10.19	11.00	4.88	11.25
3-2-1/8	75-80	656	276.00	27.12	3.37	11.50	6.75	3.38	5.25	11.50	12.00	5.25	11.75
3-1/4-3-3/8	82-86	750	313.00	29.25	4.00	12.25	7.25	3.62	5.75	12.25	13.00	5.75	12.25
3-1/2-3-5/8	88-92	820	400.00	31.00	4.00	13.00	7.75	3.88	6.31	13.00	14.00	6.25	13.00
3-3/4-4	94-102	1005	542.00	33.25	4.25	14.25	8.50	4.25	7.25	14.25	15.00	7.00	14.00



Wire Rope Size		Ultimate Load (t)	Weight Each (lbs)	Dimensions (in)							
(in)	(mm)			A	B	C	D	E	F	G	H
1-1/4 - 1-3/8	32-35	113	17	1.63	3.09	3.63	4.45	1.44	5.13	10.89	1.53
1-1/2 - 1-5/8	38-41	136	30	1.95	3.69	4.32	5.43	1.60	6.31	13.00	1.81
1-3/4 - 1-7/8	44-48	181	43	2.23	4.16	4.53	6.30	1.84	7.22	14.11	2.09
2 - 2-1/8	50-54	227	57	2.50	4.75	5.26	7.02	2.09	8.25	16.02	2.24
2-1/4 - 2-3/8	57-60	277	76	2.78	5.25	5.78	7.72	2.31	9.16	17.90	2.62
2-1/2 - 2-5/8	64-67	363	106	3.05	5.88	6.71	8.53	2.69	10.13	19.89	2.66
2-3/4 - 2-7/8	70-73	454	138	3.33	6.50	7.13	9.35	3.00	11.09	21.63	2.98
3 - 3-1/8	76-79	544	193	3.50	7.25	7.74	10.30	3.25	12.31	23.50	3.24
3-1/4 - 3-3/8	82-86	635	229	3.81	7.62	8.80	10.94	3.50	13.13	25.75	3.43
3-1/2 - 3-5/8	88-92	735	279	4.15	8.00	9.06	11.72	3.69	13.96	27.70	4.12
3-3/4 - 4	95-102	907	384	4.39	8.75	10.50	12.91	3.69	15.88	30.13	4.46

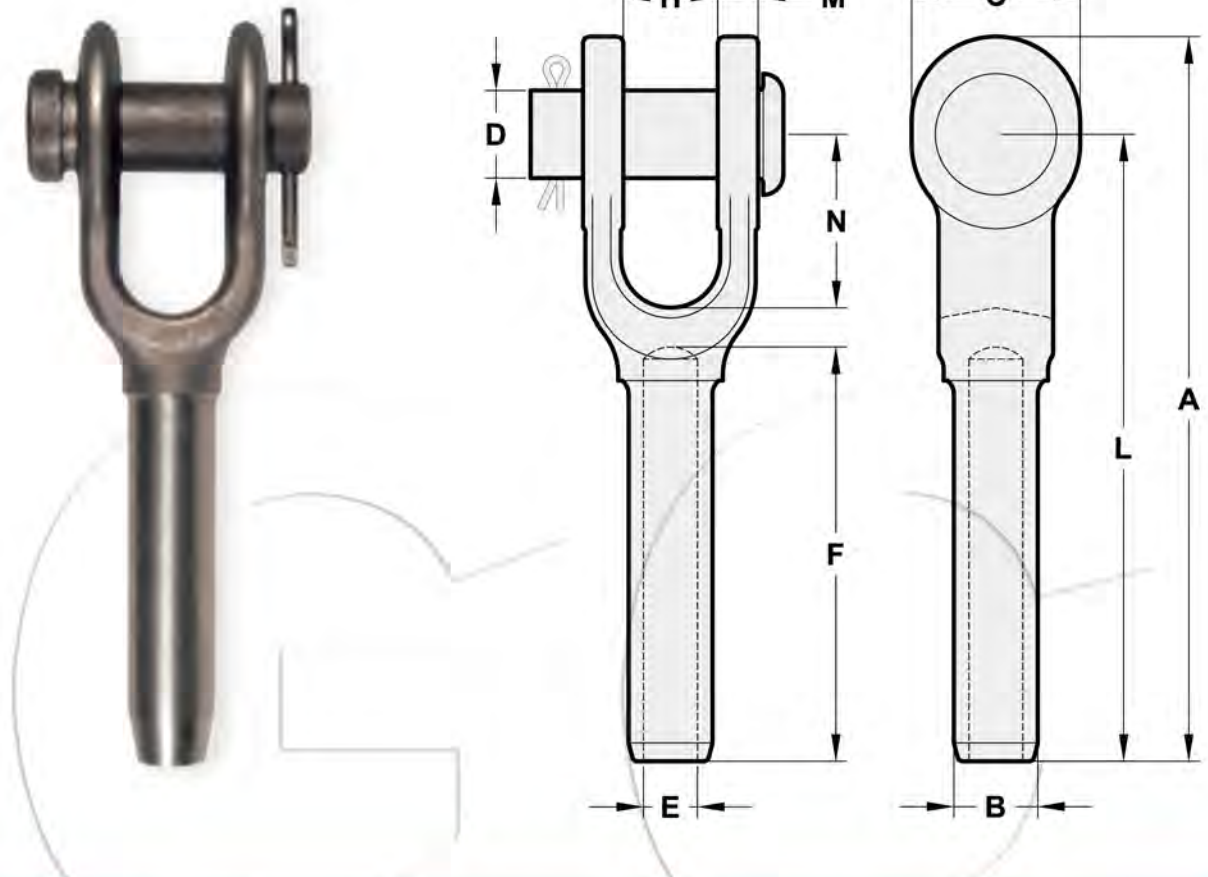
⚠ WARNING Never exceed Working Load Limit

S421T WEDGE SOCKETS



Wire Rope Size		Weight Each (lbs)	Dimensions (in)														
(in)	(mm)		A	B	C	D	G	H	J	K	L	P	R	S	T	U	V
3/8	9-10	3.18	5.69	2.72	0.81	0.81	1.38	3.06	7.80	1.88	0.88	1.56	0.44	2.13	0.44	1.25	1.38
1/2	11-13	6.15	6.88	3.47	1.00	1.00	1.62	3.76	8.91	1.26	1.06	1.94	0.50	2.56	0.53	1.75	1.88
5/8	14-16	9.70	8.25	4.30	1.25	1.19	2.12	4.47	10.75	1.99	1.22	2.25	0.56	3.25	0.69	2.00	2.19
3/4	18-19	14.50	9.88	5.12	1.50	1.38	2.44	5.28	12.36	2.41	1.40	2.63	0.66	3.63	0.78	2.34	2.56
7/8	20-22	21.50	11.25	5.85	1.75	1.63	2.69	6.16	14.37	2.48	1.67	3.13	0.75	4.31	0.88	2.69	2.94
1	24-26	30.75	12.81	6.32	2.00	2.00	2.94	6.96	16.29	3.04	2.00	3.75	0.88	4.70	1.03	2.88	3.28
1-1/8	28	45.30	14.38	6.92	2.25	2.25	3.31	7.62	18.34	2.56	2.25	4.25	1.00	5.44	1.10	3.25	3.56
1-1/4	30-32	64.90	16.34	8.73	2.62	2.62	3.56	9.39	20.48	2.94	2.34	4.50	1.06	6.13	1.19	4.62	4.94

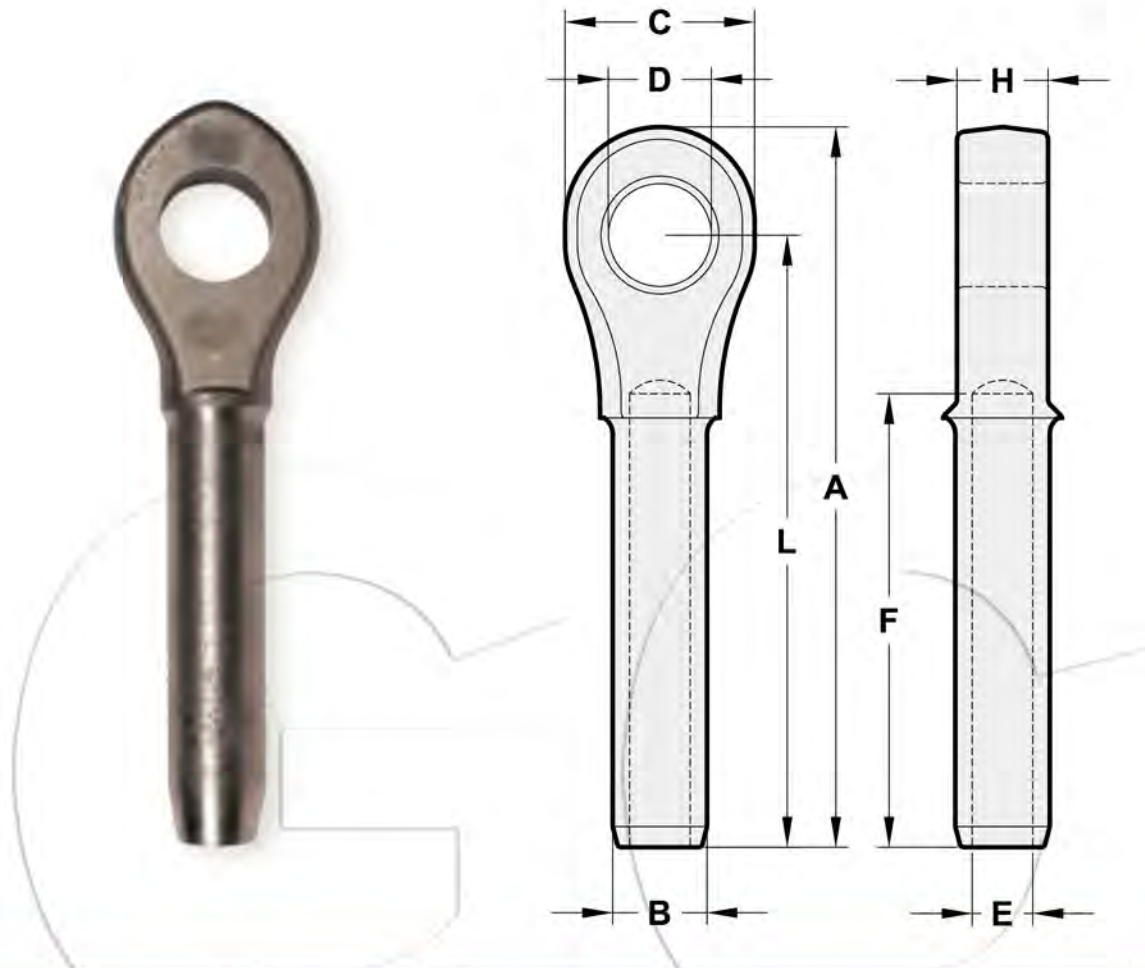
S501 OPEN SWAGE SOCKETS



Wire Rope Size		Ultimate Load (t)	Weight Each (lbs)	Dimensions (in)									
(in)	(mm)			A	B	C	D	E	F	H	L	M	N
1/4	6	5.4	0.52	4.78	0.50	1.38	0.69	0.27	2.19	0.69	4.00	0.38	1.47
5/16	8	11.8	1.12	6.30	0.78	1.62	0.81	0.34	3.25	0.80	5.34	0.48	1.67
3/8	9-10	13.6	1.30	6.30	0.78	1.62	0.81	0.41	3.25	0.80	5.34	0.48	1.67
7/16	11-12	18.1	2.08	7.82	1.01	2.00	1.00	0.49	4.31	1.00	6.69	0.56	1.96
1/2	13	21.3	2.08	7.82	1.01	2.00	1.00	0.55	4.31	1.00	6.69	0.56	1.96
9/16	14	31.8	4.67	9.54	1.27	2.38	1.19	0.61	5.38	1.25	8.13	0.68	2.21
5/8	16	34.9	4.51	9.54	1.27	2.38	1.19	0.68	5.38	1.25	8.13	0.68	2.21
3/4	18-20	43.5	7.97	11.61	1.56	2.75	1.38	0.80	6.44	1.50	10.00	0.80	2.69
7/8	22	51.5	11.52	13.37	1.72	3.13	1.63	0.94	7.50	1.75	11.63	0.94	3.20
1	24-26	71.4	17.80	15.47	2.00	3.69	2.00	1.07	8.63	2.00	13.38	1.07	3.68
1-1/8	28	83.3	25.25	17.35	2.25	4.12	2.25	1.19	9.63	2.25	15.00	1.19	4.18
1-1/4	32	109	35.56	19.20	2.53	4.59	2.50	1.34	10.69	2.50	16.50	1.27	4.68
1-3/8	34-36	136	43.75	21.10	2.81	5.25	2.50	1.46	11.88	2.41	18.13	1.46	5.25
1-1/2	38-40	181	58.50	23.17	3.08	5.50	2.75	1.59	12.81	3.00	19.75	1.70	5.70
1-3/4	44	228	88.75	26.70	3.40	6.25	3.50	1.87	15.06	3.50	23.00	2.11	6.67
2	48-52	272	146.2	31.15	3.94	7.80	3.75	2.12	17.06	4.00	26.75	1.81	8.19

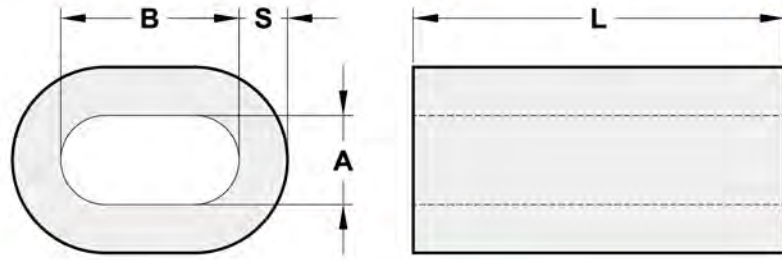
⚠ WARNING Never exceed Working Load Limit

S502 CLOSED SWAGE SOCKETS



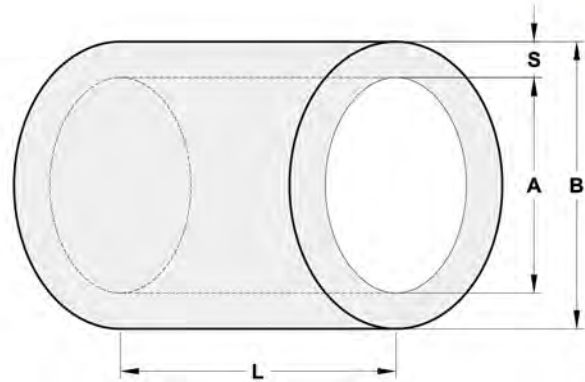
Wire Rope Size		Ultimate Load (t)	Weight Eacn (lbs)	Dimensions (in)							
(in)	(mm)			A	B	C	D	E	F	H	L
1/4	6	5.4	0.33	4.28	0.50	1.38	0.76	0.27	2.19	0.50	3.50
5/16	8	11.8	0.75	5.42	0.77	1.62	0.88	0.34	3.25	0.68	4.50
3/8	9-10	13.6	0.72	5.42	0.78	1.62	0.88	0.41	3.25	0.68	4.50
7/16	11-12	18.1	1.42	6.88	1.01	2.00	1.07	0.49	4.31	0.87	5.75
1/2	13	21.3	1.42	6.88	1.01	2.00	1.07	0.55	4.31	0.87	5.75
9/16	14	31.8	2.92	8.59	1.27	2.38	1.28	0.61	5.38	1.14	7.25
5/8	16	34.9	2.85	8.59	1.27	2.38	1.28	0.68	5.38	1.14	7.25
3/4	18-20	43.5	5.00	10.25	1.56	2.88	1.49	0.80	6.44	1.33	8.63
7/8	22	51.5	6.80	11.87	1.72	3.12	1.73	0.94	7.50	1.53	10.09
1	24-26	71.4	10.40	13.56	2.00	3.62	2.11	1.07	8.63	1.78	11.50
1-1/8	28	83.3	14.82	15.03	2.25	4.00	2.37	1.19	9.75	2.03	12.75
1-1/4	32	109	21.57	16.94	2.53	4.50	2.62	1.34	10.81	2.25	14.38
1-3/8	34-36	136	28.54	18.59	2.81	5.00	2.62	1.46	11.88	2.29	15.75
1-1/2	38-40	181	38.06	20.13	3.08	5.38	2.87	1.59	12.81	2.56	17.00
1-3/4	44	228	51.00	23.56	3.40	6.25	3.63	1.87	15.06	3.08	20.00
2	48-52	272	89.25	27.13	3.94	7.25	3.88	2.12	17.06	3.31	23.00

ALUMINIUM FERRULES SPECIFICATION EN13411-3 (DIN3093)



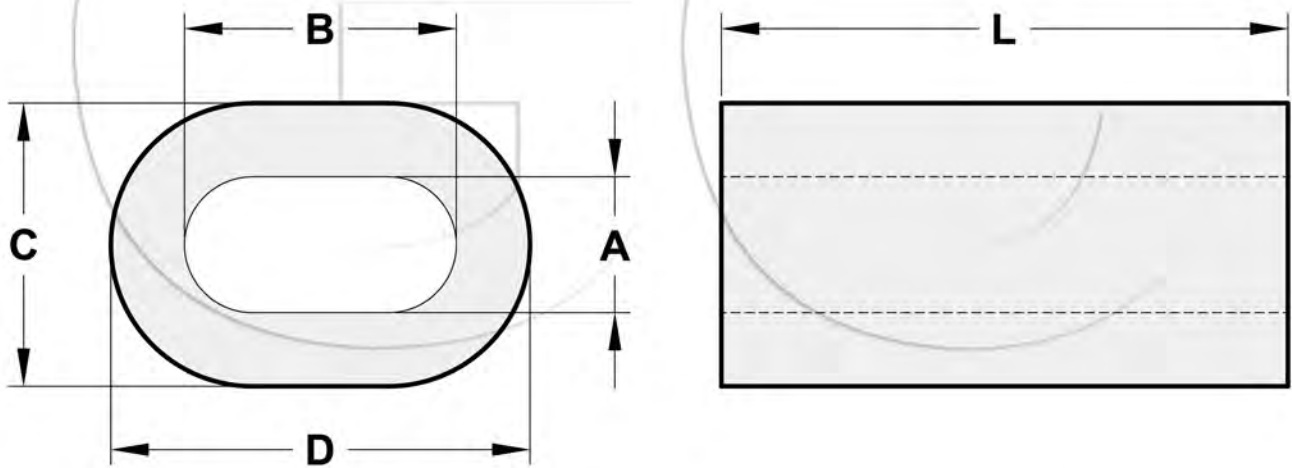
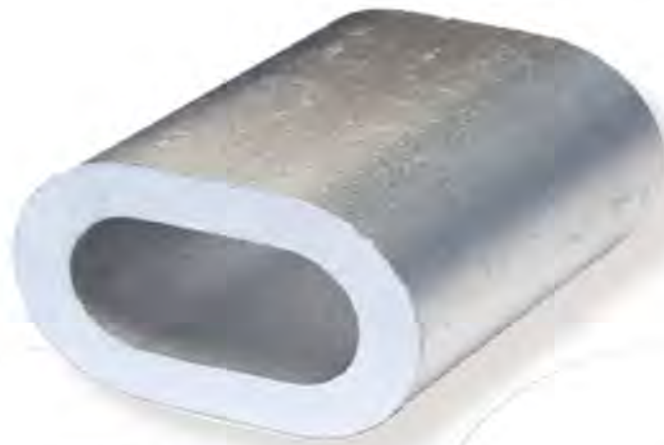
Ferrule Code	Weight Per 1000 (kg)	Dimensions (mm)			
		A	B	S	L
1	0.098	1.2	2.4	0.65	5
1.5	0.176	1.7	3.4	0.75	6
2	0.285	2.2	4.4	0.85	7
2.5	0.439	2.7	5.4	1.05	9
3	0.907	3.3	6.6	1.25	11
3.5	1.18	3.8	7.6	1.5	13
4	1.63	4.4	8.8	1.7	14
4.5	2.39	4.9	9.8	1.9	16
5	3.62	5.5	11.0	2.1	18
6	5.87	6.6	13.2	2.5	21
6.5	7.18	7.2	14.4	2.7	23
7	9.83	7.8	15.6	2.9	25
8	12.96	8.8	17.6	3.3	28
9	18.94	9.9	19.8	3.7	32
10	24.09	10.9	21.8	4.1	35
11	35.35	12.1	24.2	4.5	39
12	44.18	13.2	26.4	4.9	42
13	59.86	14.2	28.4	5.4	46
14	73.5	15.3	30.6	5.8	49
16	111	17.5	35.0	6.7	56
18	156	19.6	39.2	7.6	63
20	217	21.7	43.4	8.4	70
22	292	24.3	48.6	9.2	77
24	376	26.4	52.8	10.0	84
26	481	28.5	57.0	10.9	91
28	603	31.0	62.0	11.7	98
30	739	33.1	66.2	12.5	105
32	897	35.2	70.4	13.4	112
34	1077	37.8	75.6	14.2	119
36	1275	39.8	79.6	15.0	126
38	1503	41.9	83.8	15.8	133
40	1734	44.0	88.0	16.6	140
42	2024	46.2	92.4	17.5	147
44	2314	48.4	96.8	18.3	154
46	2662	50.6	101.2	19.2	161
48	3010	52.8	105.6	20.0	168
50	3412	55.0	110.0	20.8	175
52	3813	57.2	114.4	21.6	182
54	4293	59.4	118.8	22.5	189
56	4772	61.6	123.2	23.3	196
58	5326	63.8	127.6	24.2	203
60	5880	66.0	132.0	25.0	210

SEAMLESS ALUMINIUM ROUND SLEEVES



Ferrule Code	Weight Per 1000 (kg)	Dimensions (in)			
		A	B	S	L
#6	8	11	16	2.5	25
#7	12	12.7	18.5	2.9	30
#8	18	14.6	21.2	3.3	34
#9	25	16.4	23.8	3.7	38
#10	33	18.1	26.3	4.1	42
#11	45	20	29	4.5	47
#12	57	21.8	31.6	4.9	50
#13	74	23.6	34.4	5.4	55
#14	92	25.4	37	5.8	59
#15	138	29	42.4	6.7	67
#18	212	32.5	48.5	8	76
#20	380	36	58	11	84
#22	440	39.5	61.5	11	92
#24	530	43.1	65.5	11.2	101
#26	660	46.7	70.5	11.9	109
#28	760	51.2	75	11.9	118
#30	930	54.6	80	12.7	126
#32	1110	58.2	85	13.4	134
#34	1390	61.4	91	14.8	143
#36	1570	65	95	15	152
#38	1830	68.4	100	15.8	160
#40	2140	72.8	106	16.6	168
#44	2820	79.6	116	18.2	184
#48	3620	86.4	126	19.8	200
#52	4560	93.2	136	21.4	216
#56	5680	101	147	23	232
#60	7000	108.8	158	24.6	248
#65	10500	119.2	176	28.4	284
#70	11730	125	185	30	294
#75	14360	134	198	32	315
#80	17300	142	210	34	336
#85	20900	153	225	36	357
#90	24900	164	240	38	378
#95	28800	175	250	40	399
#100	34200	184	268	42	420

US TYPE ALUMINIUM OVAL SLEEVES

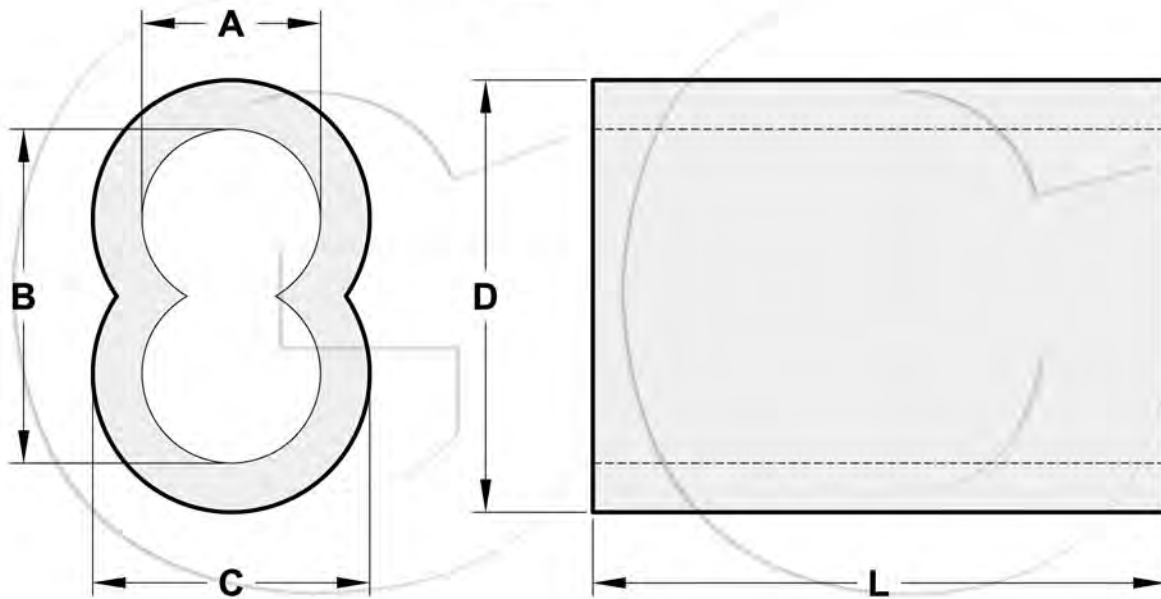


GOODCREDIT

Size (in)	Weight Per 1000 (kg)	Dimensions (mm)				
		A	B	C	D	L
1/4	10.4	7.54	15.08	13.49	21.43	25.40
5/16	19.5	9.52	19.05	16.67	26.19	30.54
3/8	24.0	11.11	21.43	19.05	29.37	34.93
7/16	49.9	12.70	25.40	23.02	35.72	43.67
1/2	74.8	15.08	29.77	26.19	41.28	49.21
9/16	99.7	18.26	34.92	30.96	48.02	56.36
5/8	145	19.05	38.10	34.92	53.18	63.50
3/4	236	21.03	42.86	38.10	60.33	73.03
7/8	304	24.21	47.62	42.86	66.68	76.20
1	567	27.78	53.37	50.01	78.58	95.25
1-1/8	780	32.54	65.09	58.74	91.28	108.74
1-1/4	970	35.72	70.64	63.50	98.43	112.71
1-1/2	1768	42.07	83.74	79.38	120.65	140.89

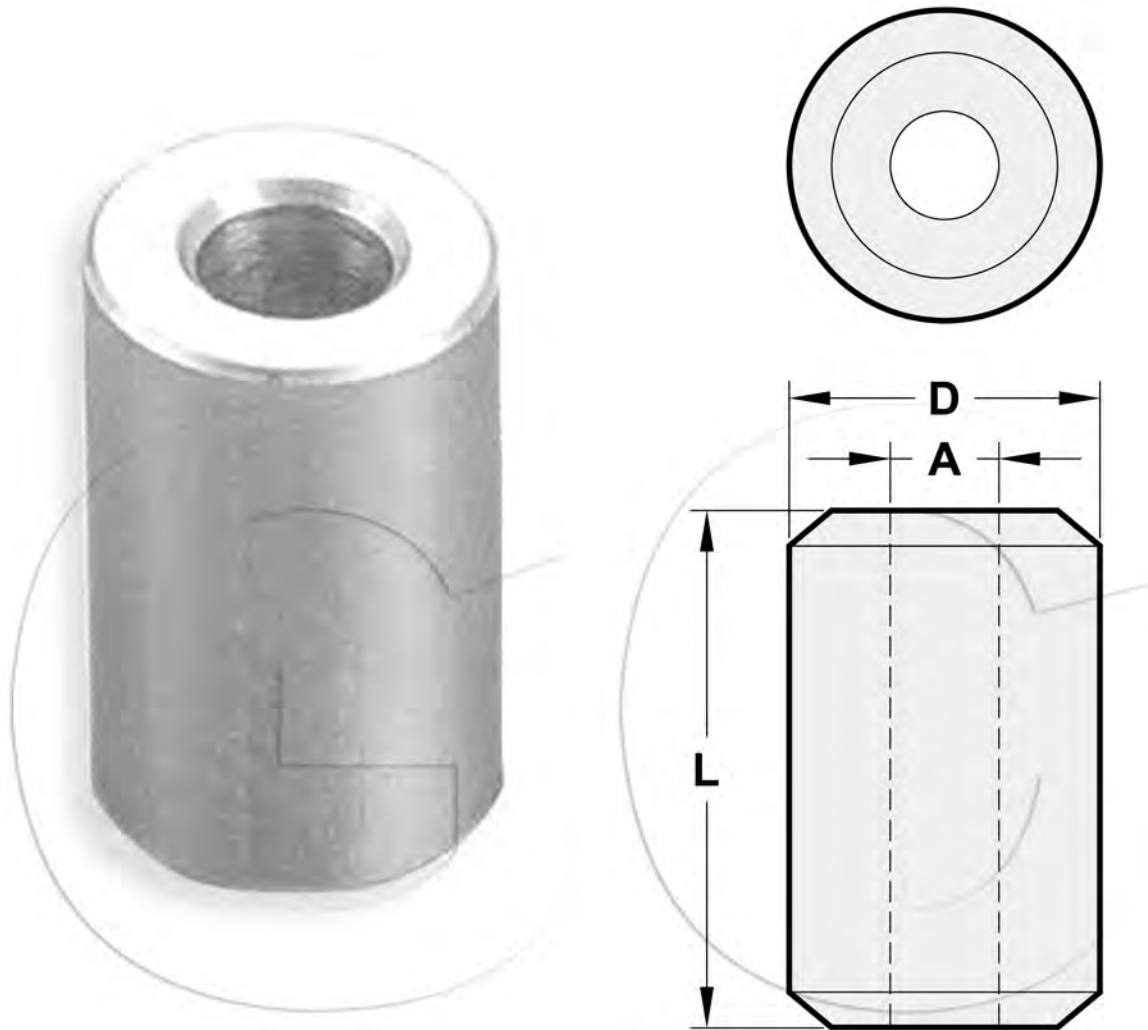
⚠ WARNING Never exceed Working Load Limit

US TYPE ALUMINIUM HOURGLASS SLEEVES



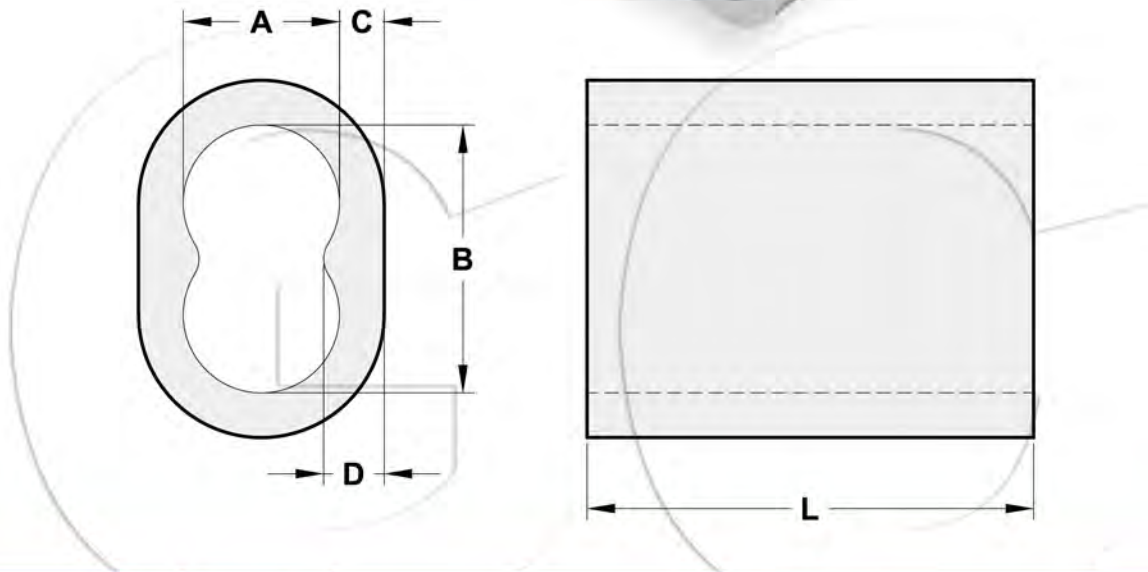
Size		Weight Per 1000 (kg)	Dimensions									
			A		B		C		D		L	
in	mm		in	mm	in	mm	in	mm	in	mm	in	mm
3/64	1.19	0.276	1/16	1.58	1/8	3.18	9/64	3.6	13/64	5.2	3/8	9.53
1/16	1.58	0.433	5/64	1.98	5/32	3.97	11/64	4.4	1/4	6.35	3/8	9.53
5/64	1.98	0.645	3/32	2.38	3/16	4.76	13/64	5.2	5/16	7.94	3/8	9.53
3/32	2.38	1.45	1/8	3.18	1/4	6.35	9/32	7.1	13/32	10.3	1/2	12.7
1/8	3.18	2.70	5/32	3.97	5/16	7.94	11/32	8.7	1/2	12.7	5/8	15.88
5/32	3.97	3.67	3/16	4.76	3/8	9.53	3/8	9.53	9/16	14.29	11/16	17.4
3/16	4.76	7.18	7/32	5.56	7/16	11.11	7/16	11.11	21/32	16.7	1	25.40
7/32	5.56	10.00	1/4	6.35	1/2	12.7	1/2	12.7	3/4	19.1	1 1/16	26.9
1/4	6.35	11.76	9/32	7.14	9/16	14.29	17/32	13.5	13/16	20.6	1 1/8	28.58
9/32	7.14	13.62	5/16	7.94	5/8	15.88	9/16	14.29	7/8	22.2	1 3/16	30.1
5/16	7.94	20.94	3/8	9.53	23/32	19.05	11/16	17.5	1 1/32	26.2	1 1/4	31.75
3/8	9.53	28.18	7/16	11.11	27/32	22.23	3/4	19.1	1 5/32	29.4	1 7/16	36.5
7/16	11.11	52.00	1/2	12.7	1	25.40	15/16	23.8	1 7/16	36.5	1 11/16	42.8
1/2	12.7	80.15	9/16	14.29	1 1/8	28.58	1 1/16	26.9	1 5/8	41.3	2	50.8
9/16	14.29	99.88	5/8	15.88	1 1/4	31.75	1 1/8	28.58	1 3/4	44.5	2 1/8	53.9
5/8	15.88	139.78	11/16	17.46	1 3/8	34.93	1 1/4	31.75	1 15/16	49.2	2 1/2	63.5

US TYPE ALUMINIUM STOP BOTTOMS

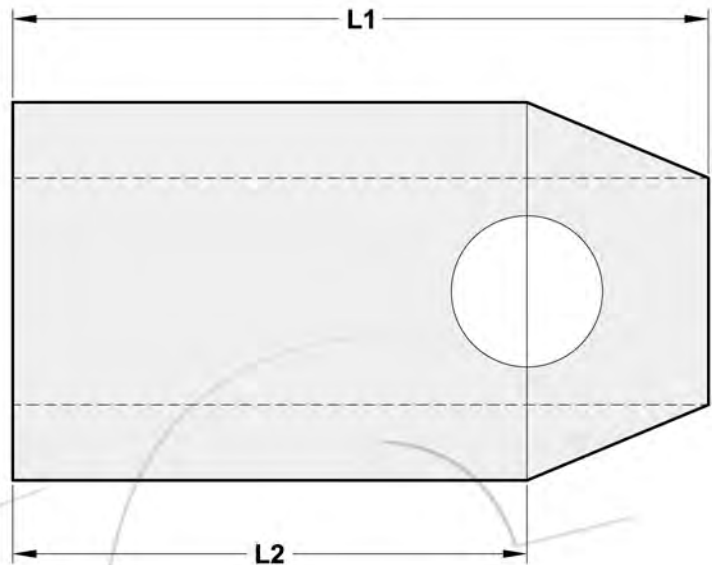


Size (in)	Weight Per 1000 (kg)	Dimensions (mm)		
		A	D	L
3/64	0.236	1.54	4.40	4.16
1/16	0.278	1.92	6.35	4.16
5/64	0.282	2.38	6.35	4.16
3/32	1.05	2.90	8.72	7.95
1/8	0.949	3.86	8.72	7.95
5/32	1.76	4.70	11.11	8.73
3/16	1.69	5.54	11.11	8.73
7/32	1.50	6.35	11.11	8.73
1/4	9.07	7.20	17.46	17.46
5/16	7.46	9.53	17.46	17.46
3/8	6.58	11.13	17.46	17.46
1/2	30.32	14.28	26.98	26.98
9/16	38.52	15.88	28.60	31.75
5/8	47.88	17.46	31.75	31.75

ALUMINIUM FERRULES JIS TYPE



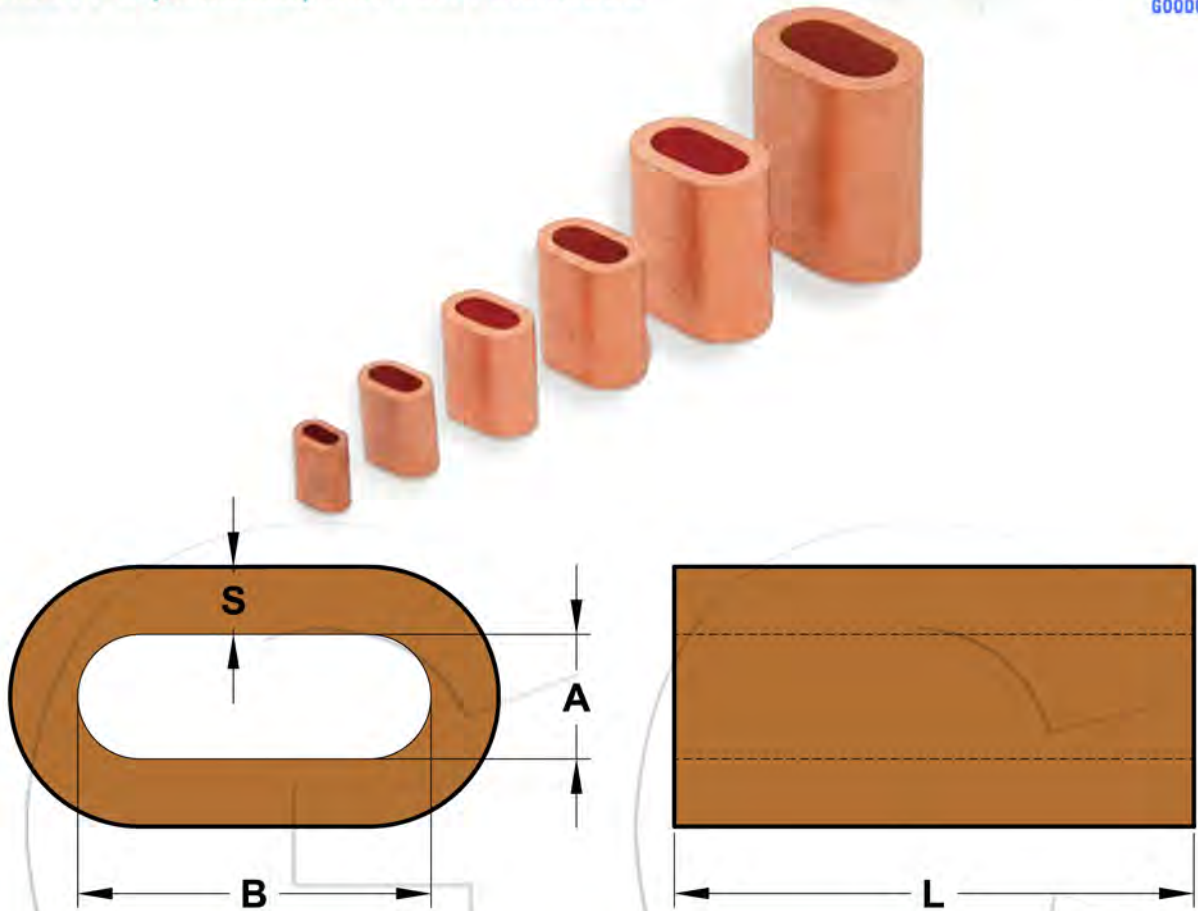
Ferrule Code	Weight Per 1000 (kg)	Dimensions (mm)				
		A	B	C	D	L
6	10	7.00	13.80	3.20	3.80	24
7	14	8.20	16.20	3.60	4.25	26
8	22	9.40	18.60	4.00	4.70	32
9	29	10.22	20.70	4.30	5.52	36
10	37	11.60	23.00	4.50	5.50	40
12	63	13.62	27.60	5.30	6.92	48
14	88	15.89	32.20	5.53	7.42	56
16	130	18.16	36.80	6.32	8.48	64
18	186	20.43	41.40	7.11	9.54	72
20	245	23.10	46.00	7.70	9.20	80
22	319	25.40	50.60	8.30	10.00	88
24	408	27.80	55.30	8.90	10.90	96
26	581	29.90	59.80	10.70	12.90	104
28	714	32.20	64.40	11.30	13.60	112
30	859	34.50	69.00	11.80	14.30	120
32	1026	36.80	73.60	12.50	15.20	128
34	1257	39.10	78.20	13.30	16.20	136
36	1465	41.40	82.80	14.10	17.30	142
38	1706	43.70	87.40	14.90	18.40	150



- The inspection hole guarantees control of the correct inserted length of wire rope before and after swaging.
- These types of sleeves have to be swaged with the conical type C swaging dies.

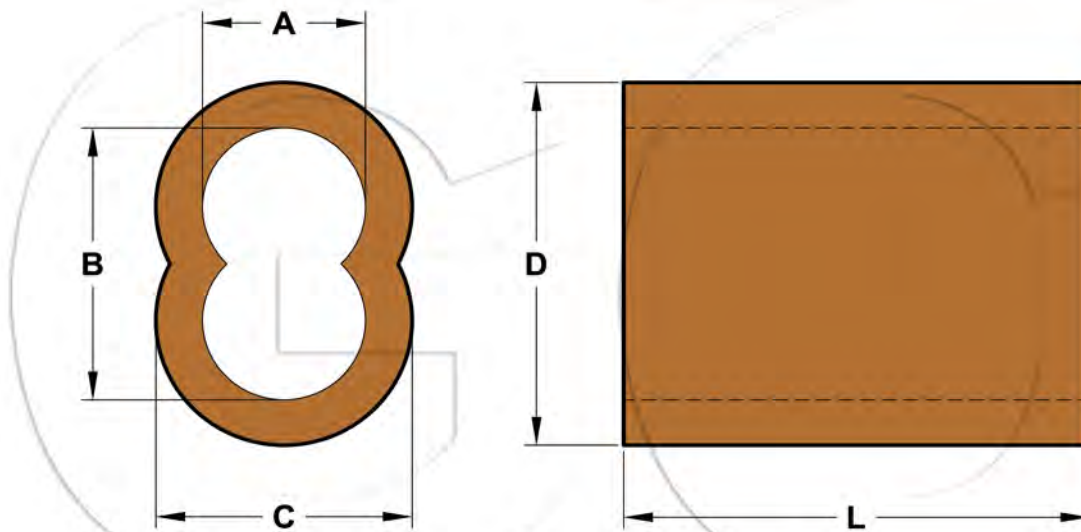
Ferrule Code	Dimensions (mm)	
	L1	L2
8	43	34
9	48	38.5
10	53	42
11	59	46.7
12	65	50.2
13	70	54.7
14	75	58.2
16	85	66.5
18	96	75
20	106	83
22	116	91
24	126	99.5
26	136	107.2
28	147	115.5
30	158	125
32	170	135
36	190	150
38	200	158
44	235	186
52	276	218

EN13411-3 (DIN3093) COPPER FERRULES



Ferrule Code	Weight Per 1000 (kg)	Dimensions (mm)			
		A	B	S	L
1	0.32	1.2	2.4	0.65	5
1.5	0.72	1.7	3.4	0.75	6
2	0.82	2.2	4.4	0.85	7
2.5	1.7	2.7	5.4	1.05	9
3	2.9	3.3	6.6	1.25	11
3.5	4.5	3.8	7.6	1.5	13
4	6.2	4.4	8.8	1.7	14
4.5	8.9	4.9	9.8	1.9	16
5	12.2	5.5	11.0	2.1	18
6	20	6.6	13.2	2.5	21
6.5	27	7.2	14.4	2.7	23
7	32	7.8	15.6	2.9	25
8	47	8.8	17.6	3.3	28
9	68	9.9	19.8	3.7	32
10	90	10.9	21.8	4.1	35
11	122	12.1	24.2	4.5	39
12	158	13.2	26.4	4.9	42
13	198	14.2	28.4	5.4	46
14	243	15.3	30.6	5.8	49
16	366	17.5	35.0	6.7	56
18	529	19.6	39.2	7.6	63

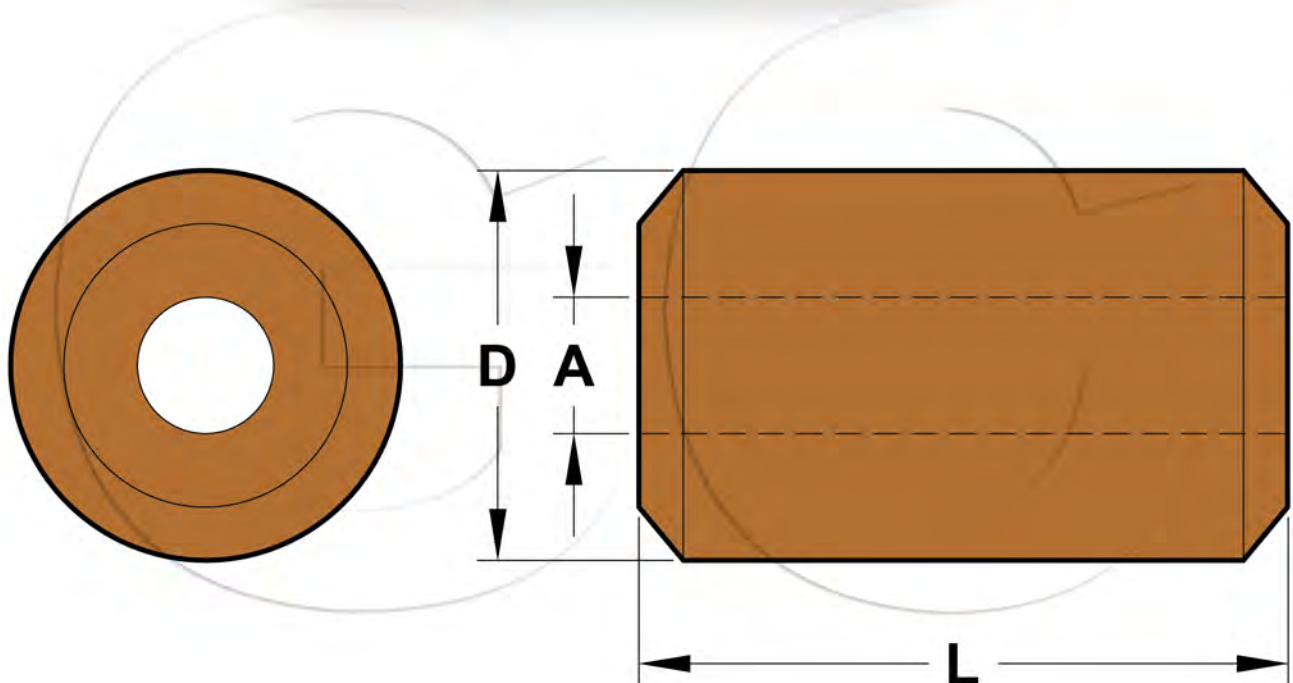
US TYPE COPPER HOURGLASS SLEEVES



- Extruded copper hourglass sleeves and stop buttons have efficient cold forming properties, and are ideal for non-rusting permanent splices. These sleeves and buttons are 99% pure copper, and the mass of copper provides excellent holding strength.
- Return eye splice using copper hourglass sleeves will attain 95% of Improved Plow wire rope catalog strength when properly swaged.
- CAUTION: Return eye slings using copper hourglass sleeves must be properly swaged to attain strength.

Size (in)	Weight Per 1000 (kg)	Dimensions (mm)				
		A	B	C	D	L
3/64	1.12	1.59	3.18	3.57	5.16	9.50
1/16	1.43	2.06	4.05	4.36	6.35	9.70
5/64	2.61	2.45	4.85	5.55	7.95	10.70
3/32	4.39	3.35	6.55	7.05	10.25	11.50
1/8	8.20	3.97	8.33	8.33	12.69	14.30
5/32	11.07	4.80	9.55	9.56	14.31	15.90
3/36	20.63	5.64	11.20	11.08	16.64	22.20
7/32	22.58	6.60	13.00	11.90	18.30	22.20
1/4	38.32	7.42	14.65	13.62	20.85	28.40
5/16	60.59	9.58	18.35	17.38	26.15	28.40
3/8	81.72	11.15	21.50	18.15	28.50	38.10
7/16	129.00	12.70	25.40	21.00	33.70	42.80
1/2	183.05	15.10	28.20	24.60	37.70	47.60

US TYPE COPPER BUTTON STOPS



• Zinc Plated, Nickle Plated & Chrome Plated are available on request.

Size (in)	Weight Per 1000 (kg)	Dimensions (mm)		
		A	D	L
3/64	0.67	1.59	4.46	5.56
1/16	0.96	1.98	5.16	5.56
3/32	3.9	2.78	8.33	8.33
1/8	3.3	3.97	8.33	8.33
5/32	6.5	4.76	10.72	8.33
3/16	6.2	5.56	10.72	8.33
7/32	6.0	6.35	10.72	15.88
1/4	32	7.14	16.67	17.46
5/16	29	9.53	16.67	17.46

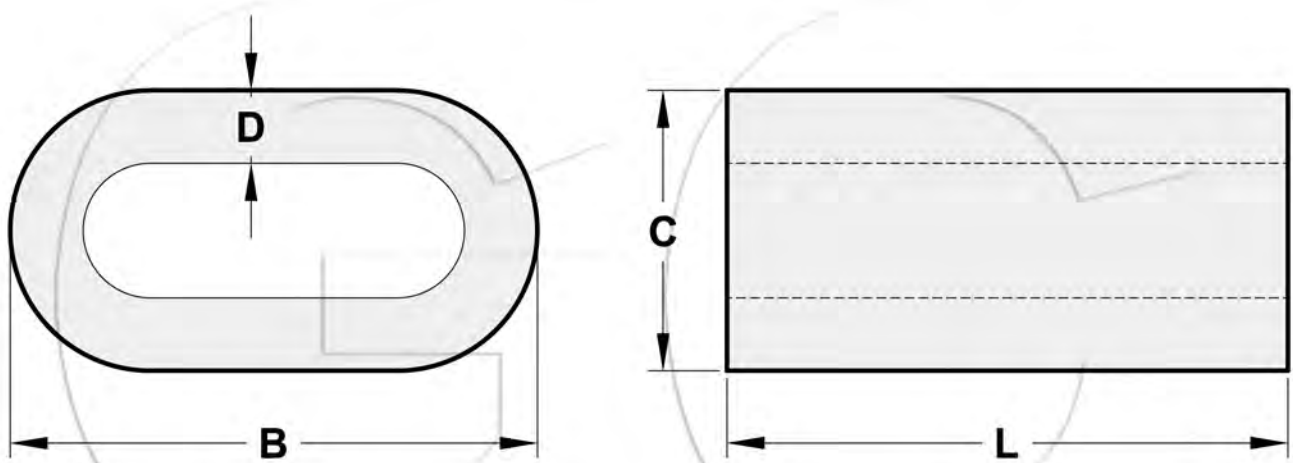
FLEMISH EYE STEEL SWAGING SLEEVES (S-505)



• Our modern in-house forging, heat treatment, sand blasting, auto-marking facilities assures the consistent quality of Flemish eye steel sleeves form 1/4" to 6" (galvanized and self-colored).

Size (in)	Weight Per 100 (kg)	Dimensions (mm)					Max After Swage Dimensions (mm)
		A	B	D	E	C	
1/4	2.27	25.4	16.8	7.88	7.12	11.9	14.5
5/16	6.36	38.1	23.1	11.2	11.2	15.8	19.1
3/8	6.36	38.1	23.1	11.9	9.91	16.8	19.1
7/16	15	51.0	31.0	14.0	16.5	21.6	25.7
1/2	13	51.0	31.0	16.0	14.2	23.1	25.7
9/16	29	70.0	37.3	17.5	16.0	26.2	31.5
5/8	26	70.0	37.3	19.1	16.0	27.7	31.5
3/4	40	81.0	43.7	23.1	21.3	32.5	37.1
7/8	60	90.5	51.5	26.2	25.4	38.9	42.7
1	89	102	58.0	29.5	28.6	43.7	49.0
1-1/8	118	122	63.5	32.5	31.8	49.3	54.1
1-1/4	161	132	70.5	36.5	35.8	55.0	58.9
1-3/8	192	148	76.0	39.7	39.7	60.5	64.0
1-1/2	227	159	82.5	42.9	42.9	67.0	69.0
1-3/4	366	184	97.5	49.2	50.0	79.5	78.7
2	514	216	111	57.0	57.0	92.0	90.4
2-1/4	879	243	128	63.5	64.5	102	105
2-1/2	1068	267	140	70.0	71.5	114	114
2-3/4	1271	292	146	76.0	78.5	121	119
3	1335	305	152	82.5	86.0	127	126
3-1/4	1650	330	165	98	89.9	138	136
3-1/2	2106	356	178	98.5	100	148	147
3-3/4	2497	381	191	103	108	160	158
4	3087	406	206	111	114	173	170
4-1/2	4540	457	232	124	129	195	189
5	6600	508	267	140	143	222	210
6	12300	610	318	165	171	259	252

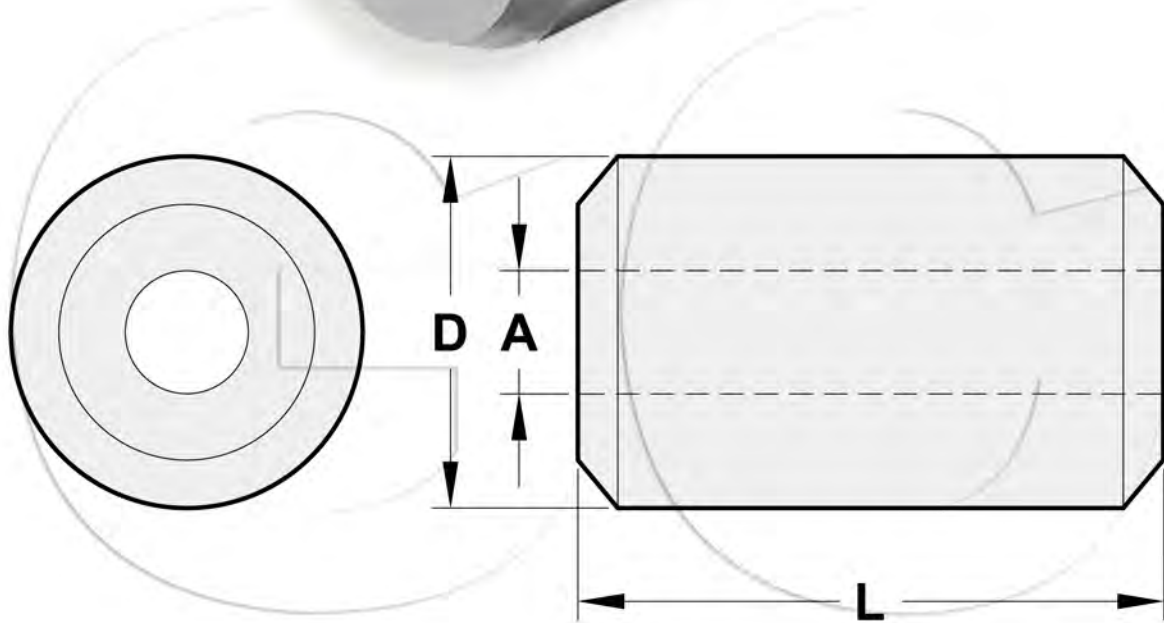
US TYPE STEEL OVAL SLEEVES



- Specially processed low carbon steel
- Note: Steel Oval Sleeves are recommended for use with 6x19 or 6x37, IPS ORxIP(EIP), RRL, FC or IWRC wire rope

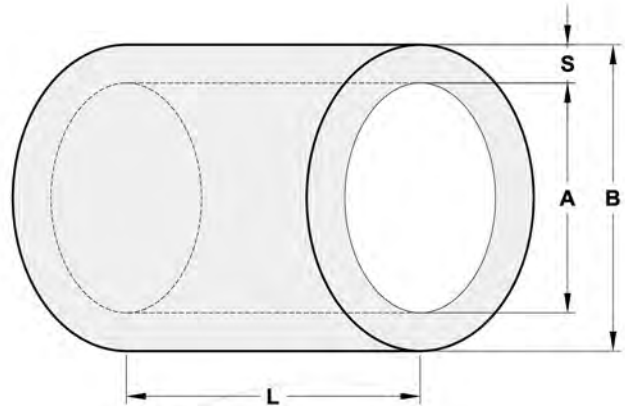
Rope Size (in)	Weight Per 100 (kg)	Dimensions (mm)				Max after Swage DIA. (mm)
		L	B	C	D	
5/16	77.1	31.8	26.9	20.6	4.85	19.6
3/8	59	31.8	28.4	20.6	3.55	19.6
7/16	141	41.4	35.8	25.9	4.85	26.2
1/2	122	41.4	36.6	25.9	4.05	26.2
9/16	286	57.0	43.7	31.2	5.85	32.8
5.8	245	57.0	46.7	32.5	5.10	32.8
3/4	413	67.0	55.0	38.6	5.85	39.4
7/8	570	73.0	63.5	44.5	6.85	45.7
1	850	77.5	72.0	51.0	8.40	52.0
1-1/4	1740	103	89.0	63.5	9.65	65.0

US TYPE STEEL STOP BUTTONS



- Specially processed low carbon steel
- Note: Steel Stop Buttons Sleeves are recommended for use with 6x19 or 6x37, IPS ORxIP(EIP), RRL, FC or IWRC wire rope

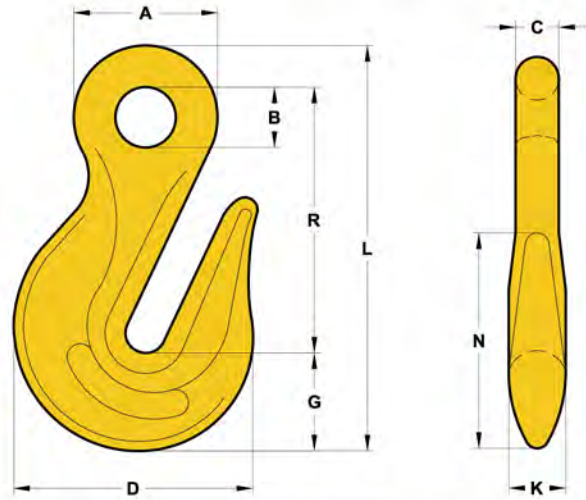
Size (in)	Weight Per 100 (kg)	Dimensions (mm)			Max after Swage DIA. (mm)
		A	D	L	
1/8	9.1	3.56	10.7	12.7	10.2
3/16	18.1	5.08	14.2	17.8	13.2
1/4	36.3	7.87	17.3	26.9	14.7
5/16	72.6	9.14	22.4	28.7	19.6
3/8	68	10.7	22.4	37.6	19.6
7/16	136	12.2	28.7	41.4	26.2
1/2	227	14.0	33.3	48.0	29.5
9/16	318	15.5	36.6	51.3	32.8
5/8	454	17.0	39.6	61.5	36.1
3/4	590	20.3	42.7	69.6	39.6
7/8	1000	23.9	50.8	83.1	45.7
1	1410	26.9	57.2	93.2	52.1
1-1/8	2040	30.2	65.0	103	58.4
1-1/4	2950	33.8	71.4	116	65.0



Item NO.	Weight Pcs (kg)	Dimensions (mm)		
		B	S	L
#6	0.7	16	2.5	25
#7	1.2	18.5	3	30
#8	1.7	21	3.5	34
#9	2.4	23.5	4	38
#10	3.2	26	4	42
#11	4.4	29	4.5	47
#12	5.5	32	5	50
#13	7.2	34	5.5	55
#14	8.9	37	6	59
#16	13.5	42	7	67
#18	20	48	8	76
#20	32.1	53	8.5	84
#22	40.4	58	9.5	92
#24	46.3	63	10	101
#26	62	68	11	109
#28	75	75	12	118
#30	91	80	13	126
#32	108	85	13	134
#34	137	90	14	143
#36	155	95	16	152
#38	181	100	16	160
#40	210	106	17	168
#44	278	116	19	184
#48	353	125	20	200
#52	450	136	22	216
#56	560	147	23	232
#60	686	158	25	248
#65	990	171	28	284

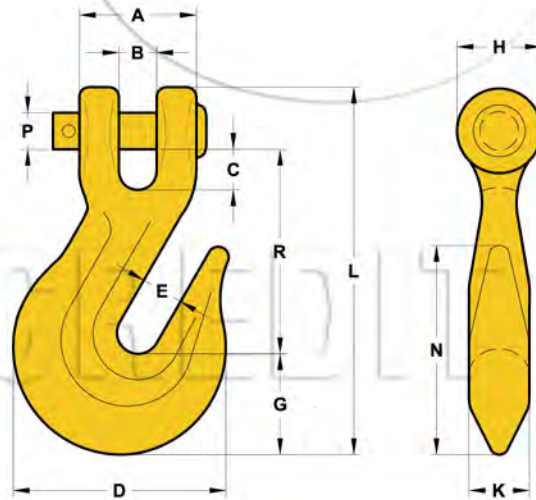


US TYPE EYE GRAB HOOK



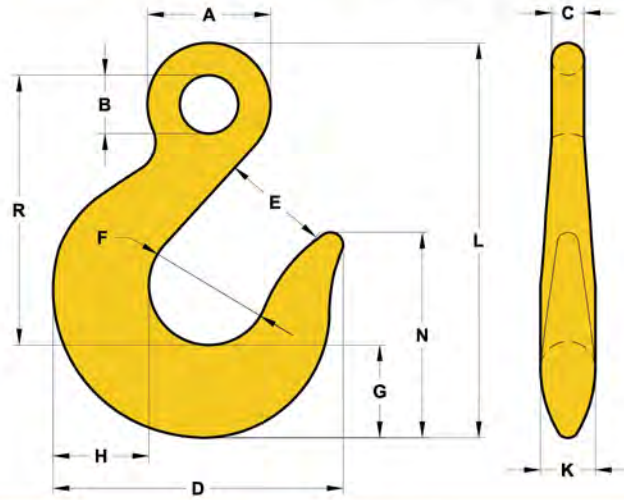
Chain Size (in.)	Working Load Limit (lbs.)		Weight Each (lbs.)	Dimensions (in.)									
	Carbon (G43)	Alloy (G70)		A	B	C	D	E	G	K	L	N	R
1/4	2600	3500	0.28	1.09	0.53	0.31	1.81	0.34	0.88	0.47	3.05	1.75	1.88
5/16	3900	4700	0.45	1.31	0.62	0.38	2.12	0.44	0.97	0.59	3.59	2.06	2.28
3/8	5400	7100	0.79	1.56	0.75	0.44	2.53	0.50	1.17	0.72	4.28	2.34	2.69
1/2	9200	12000	1.75	1.94	0.88	0.53	3.56	0.66	1.53	0.78	5.44	2.97	3.38
5/8	13000	18100	3.25	2.38	1.06	0.66	4.41	0.78	1.89	1.00	6.66	3.78	4.11
3/4	20200	24700	5.95	2.88	1.38	0.75	5.22	0.94	2.13	1.31	8.06	5.09	5.16

US TYPE CLEVIS HOOK



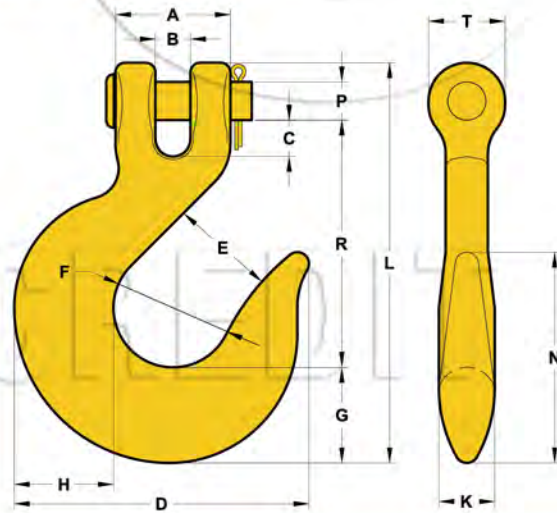
Chain Size (in.)	Working Load Limit (lbs.)		Weight Each (lbs.)	Dimensions (in.)											
	Carbon (G43)	Alloy (G70)		A	B	C	D	E	G	H	K	L	N	P	R
1/4	2600	3500	0.36	1.00	0.32	0.31	1.81	0.34	0.88	0.72	0.47	3.05	1.75	0.31	1.64
5/16	3900	4700	0.62	1.22	0.43	0.36	2.12	0.44	0.97	0.91	0.59	3.66	2.06	0.38	2.02
3/8	5400	7100	1.00	1.42	0.48	0.49	2.53	0.50	1.17	1.00	0.72	4.42	2.34	0.44	2.41
7/16	7200	8750	1.31	1.66	0.66	0.62	3.09	0.56	1.31	1.13	0.69	4.94	2.66	0.56	2.75
1/2	9200	12000	2.22	1.88	0.57	0.51	3.56	0.66	1.53	1.25	0.78	5.72	2.97	0.63	3.19
5/8	13000	18100	4.41	2.31	0.71	0.67	4.39	0.78	1.78	1.56	1.09	6.83	4.31	0.75	4.09
3/4	20200	24700	6.50	2.62	0.94	0.94	5.22	0.94	2.13	1.88	1.31	8.13	5.09	0.88	4.63

US TYPE EYE SLIP HOOK WITH OR WITHOUT LATCH



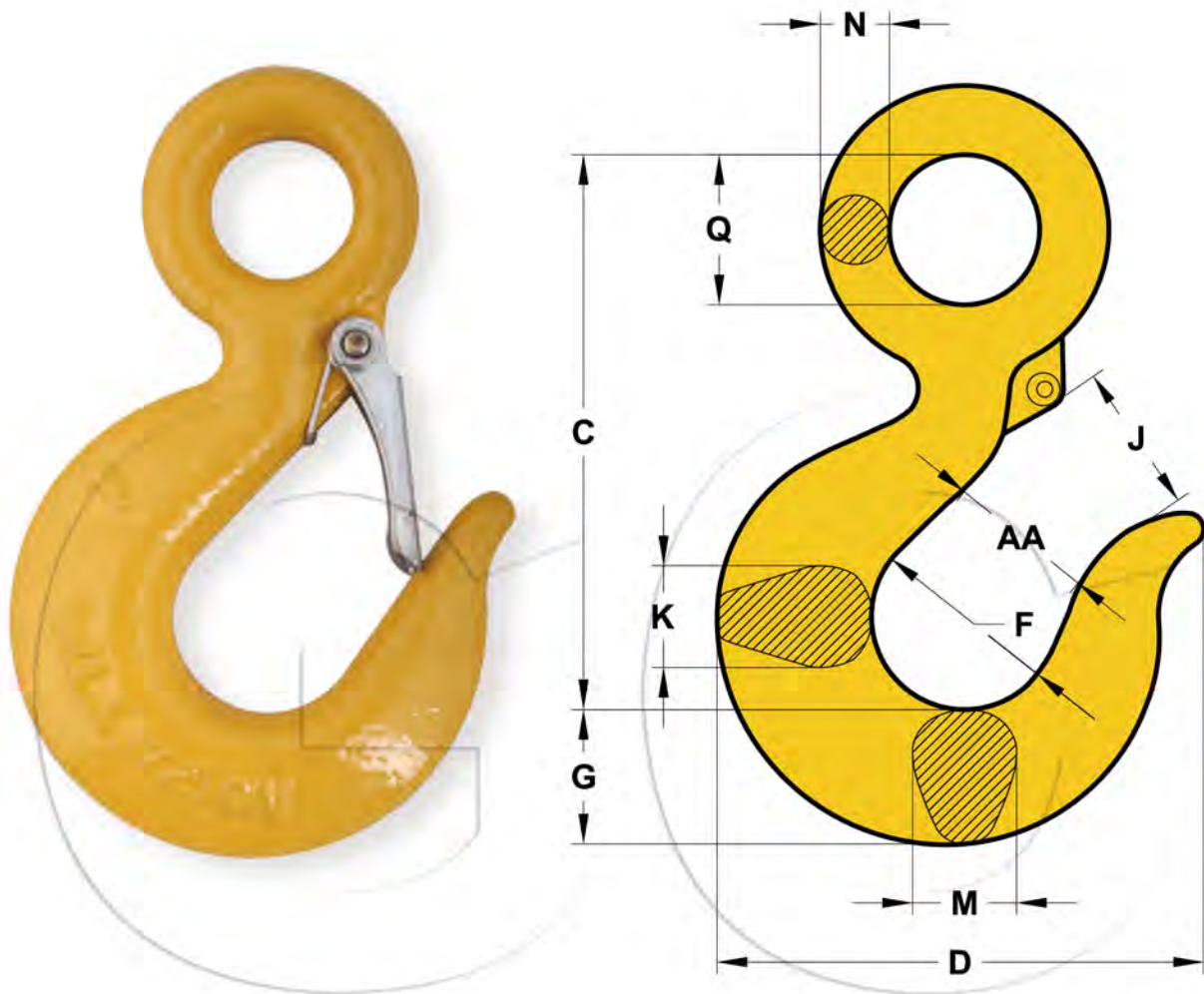
Chain Size (in.)	Working Load Limit (lbs.)		Weight Each (lbs.)	Dimensions (in.)											
	Carbon (G43)	Alloy (G70)		A	B	C	D	E	F	G	H	K	L	N	R
1/4	1950	2750	0.40	1.06	0.50	0.28	2.75	0.94	1.19	0.81	0.88	0.50	3.66	2.13	2.56
5/16	2875	4300	0.64	1.25	0.63	0.34	3.06	1.06	1.25	0.94	1.00	0.56	4.23	2.25	2.95
3/8	4000	5250	1.10	1.53	0.72	0.41	3.63	1.31	1.50	1.13	1.19	0.66	4.89	2.56	3.36
7/16	5000	7000	1.56	1.69	0.81	0.44	4.34	1.56	1.81	1.38	1.44	0.81	5.70	3.06	3.88
1/2	6500	9000	2.09	1.94	0.94	0.50	4.81	1.69	1.94	1.56	1.63	0.91	6.34	3.44	4.28
5/8	9250	13500	3.90	2.38	1.13	0.63	5.63	2.00	2.38	1.81	1.94	1.09	7.86	4.00	5.22
3/4	12500	19250	6.93	2.88	1.38	0.75	6.75	2.13	2.75	2.19	2.31	1.31	8.73	4.75	5.80

US TYPE CLEVIS SLIP HOOK WITH OR WITHOUT LATCH



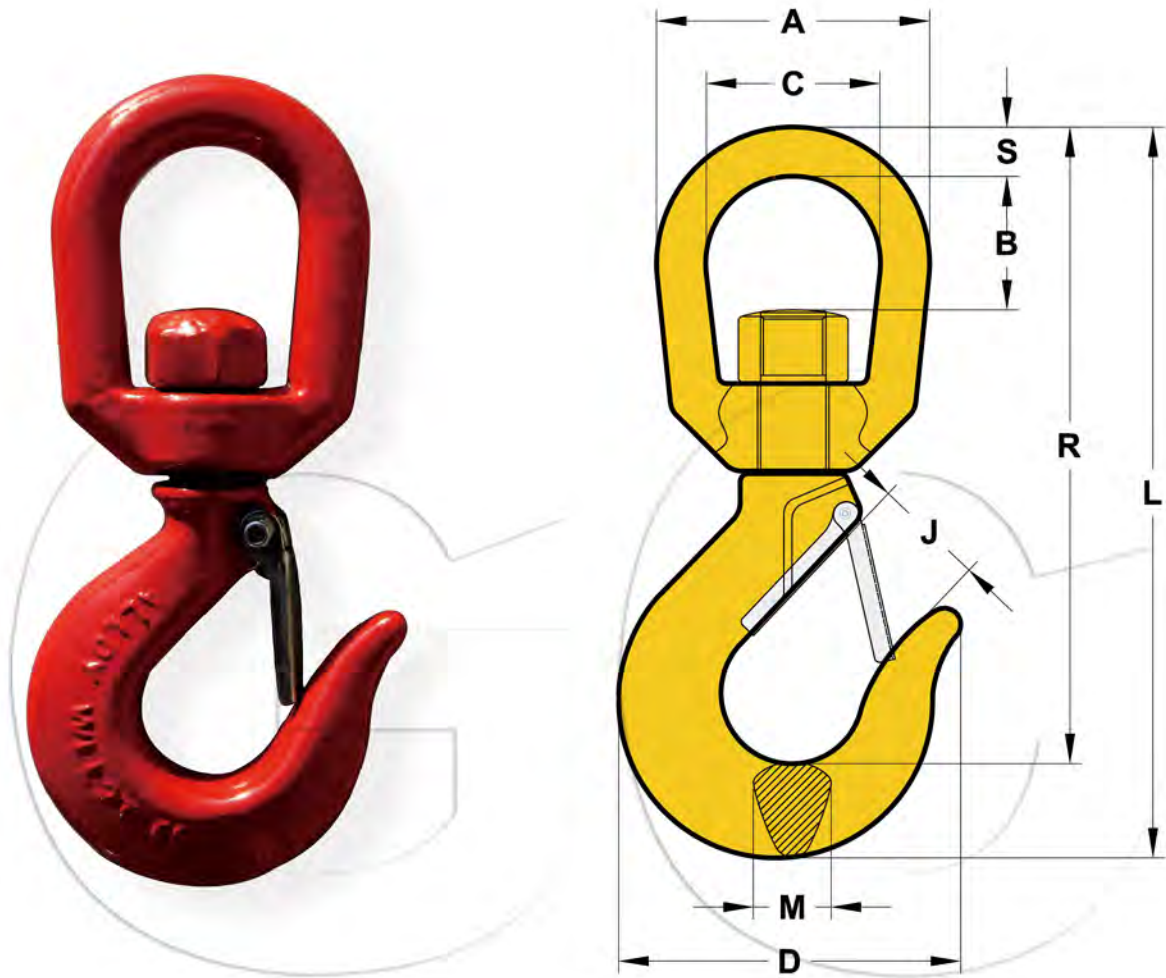
Chain Size (in.)	Working Load Limit (lbs.)		Weight Each (lbs.)	Dimensions (in.)													
	Carbon (G43)	Alloy (G70)		A	B	C	D	E	F	G	H	K	L	N	P	R	T
1/4	1950	2750	0.55	1.06	0.32	0.29	2.75	0.94	0.88	0.81	0.88	0.50	3.95	2.13	0.31	2.58	0.81
5/16	2875	4300	0.79	1.22	0.43	0.34	3.06	1.06	0.97	0.94	1.00	0.56	4.52	2.25	0.38	2.87	0.97
3/8	4000	5250	1.21	1.38	0.48	0.44	3.63	1.31	1.17	1.13	1.19	0.66	5.15	2.56	0.44	3.25	1.06
7/16	5000	7000	2.06	1.73	0.66	0.60	4.34	1.56	1.31	1.38	1.44	0.81	5.97	3.06	0.56	3.70	1.19
1/2	6500	9000	2.75	1.88	0.57	0.53	4.81	1.69	1.53	1.56	1.63	0.91	6.53	3.44	0.63	4.00	1.31
5/8	9250	13500	4.75	2.31	0.71	0.71	5.63	2.00	1.78	1.81	1.94	1.09	7.89	4.00	0.75	4.94	1.56
3/4	-	19250	11.28	3.19	0.94	1.29	7.38	2.50	2.13	2.38	2.50	1.44	10.0	5.06	1.00	6.09	2.09

US TYPE EYE HOIST HOOKS WITH OR WITHOUT LATCH



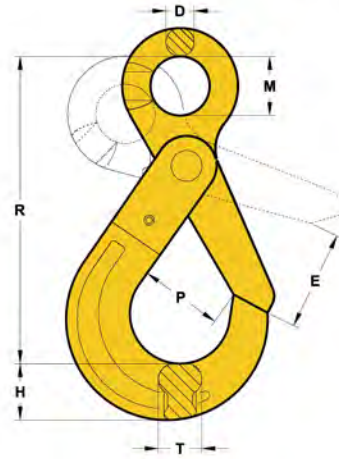
Working Load Limit (t)		Weight Each (lbs.)	Dimensions (in.)									
Carbon	Alloy		C	D	F	G	J	K	M	N	Q	AA
3/4	1	0.61	3.34	2.83	1.25	0.73	0.90	0.63	0.63	0.36	0.75	1.50
1	1-1/2	0.89	3.81	3.11	1.38	0.84	0.93	0.71	0.71	0.42	0.91	2.00
1-1/2	2	1.44	4.14	3.53	1.50	1.00	1.00	0.88	0.88	0.55	1.13	2.00
2	3	2.07	4.69	3.97	1.63	1.13	1.13	0.94	0.94	0.58	1.25	2.00
3	5	4.30	5.77	4.81	2.00	1.44	1.47	1.31	1.31	0.72	1.56	2.50
5	7	8.30	7.37	6.27	2.50	1.81	1.75	1.66	1.66	0.90	2.00	3.00
7-1/2	11	15.00	9.07	7.45	3.00	2.25	2.29	1.88	1.63	1.11	2.44	4.00
10	15	20.77	10.08	8.30	3.25	2.59	2.50	2.19	1.94	1.27	2.84	4.00
15	22	39.50	12.53	10.30	4.25	3.00	3.30	2.69	2.38	1.56	3.50	5.00
20	30	60.00	14.06	13.62	5.00	3.62	4.00	3.00	3.00	1.75	3.50	6.50
25	37	105.00	18.19	14.06	5.38	4.56	4.25	3.75	3.19	2.00	4.50	7.00
30	45	148.00	20.12	15.44	6.00	5.06	4.75	4.50	3.25	2.18	4.94	8.00
40	60	228.00	23.72	18.50	7.00	6.00	5.75	5.50	3.91	2.53	5.69	10.00

US TYPE SWIVEL HOOK WITH LATCH OR WITHOUT LATCH



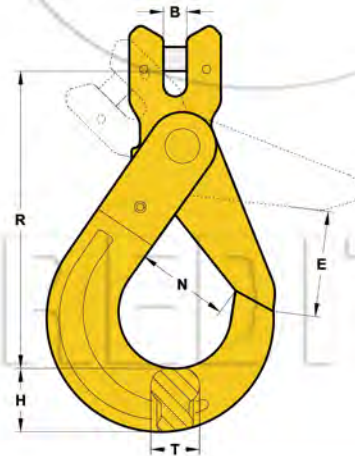
Working Load Limit (t)		Weight Each (lbs.)	Dimensions (in.)								
Carbon	Alloy		A	B	C	D	J	L	M	R	S
3/4	1	0.75	2.00	0.82	1.25	2.86	0.93	5.66	0.63	4.55	0.38
1	1-1/2	1.25	2.50	1.31	1.50	3.15	0.97	6.71	0.71	5.37	0.50
1-1/2	2	2.25	3.00	1.50	1.75	3.56	1.06	7.75	0.88	6.12	0.63
2	3	2.30	3.00	1.50	1.75	4.00	1.19	8.25	0.94	6.50	0.63
3	5	4.96	3.50	1.64	2.00	4.84	1.50	9.69	1.13	7.50	0.75
5	7	10.29	4.56	2.29	2.50	6.28	1.78	12.47	1.44	9.63	1.00
7-1/2	11	19.40	5.00	2.44	2.75	7.54	2.41	14.75	1.63	11.37	1.13
10	15	23.25	5.62	2.48	3.12	8.34	2.62	16.40	1.94	12.25	1.25
15	22	47.00	7.10	3.76	4.10	10.34	3.41	21.34	2.38	16.71	1.50
-	30	70.50	7.10	3.76	4.10	13.62	4.00	23.25	3.00	18.01	1.50

G80 EYE SELFLOCK HOOK



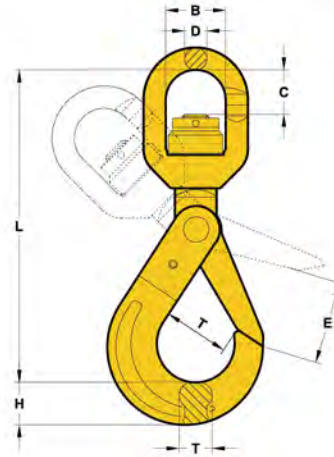
Size	Weight Each (kg)	Working Load Limit (t)	Breaking Load Limit (t)	M ± 1	R ± 2.5	D ± 1	P ± 1	H ± 1	E ± 2	T ± 1
6-8	0.5	1.12	4.48	22	110.5	10	34	19.5	28	15
7/8-8	0.8	2	8	25	136	12	46	24	34	20
10-8	1.43	3.15	12.6	32	171	15	56	30	44	26
13-8	2.86	5.3	21.2	40.5	208.5	19.5	69	40	52	30
16-8	5.64	8	32	56	257.5	22	86	50.5	60	36
20-8	7.6	12.5	50	64.5	275	27	100	55	81	48
22-8	13	15	60	70	320	30	98	67	82	49
26-8	18	21.2	84.8	80	363	34	110	75	110	56
32-8	44.5	31.5	126	105	472	45	166	97	168	63

G80 CLEVIS SELFLOCK HOOK



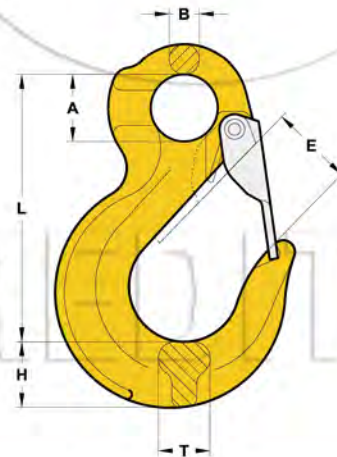
Size	Weight Each (kg)	Working Load Limit (t)	Breaking Load Limit (t)	E ± 2	B ± 0.5	H ± 1	N ± 1	R	T ± 1
6-8	0.5	1.12	4.48	29	8.5	19.5	34	95.5	15
7/8-8	0.8	2	8	34	9.5	24	46	121	20
10-8	1.5	3.15	12.6	44	12	30	56	146	26
13-8	2.8	5.3	21.2	52	15	40	69	182	30
16-8	5.6	8	32	60	18	50.5	86	218	36
20-8	7.5	12.5	50	83	25	55	100	240	48
22-8	11.5	15	60	88	25.5	67	98	276.5	49
26-8	18.5	21.2	84.8	95.5	30	75	110	310.5	56
32-8	49.1	31.5	126	160	36	97	166	400.5	63

G80 SWIVEL SELFLOCK HOOK



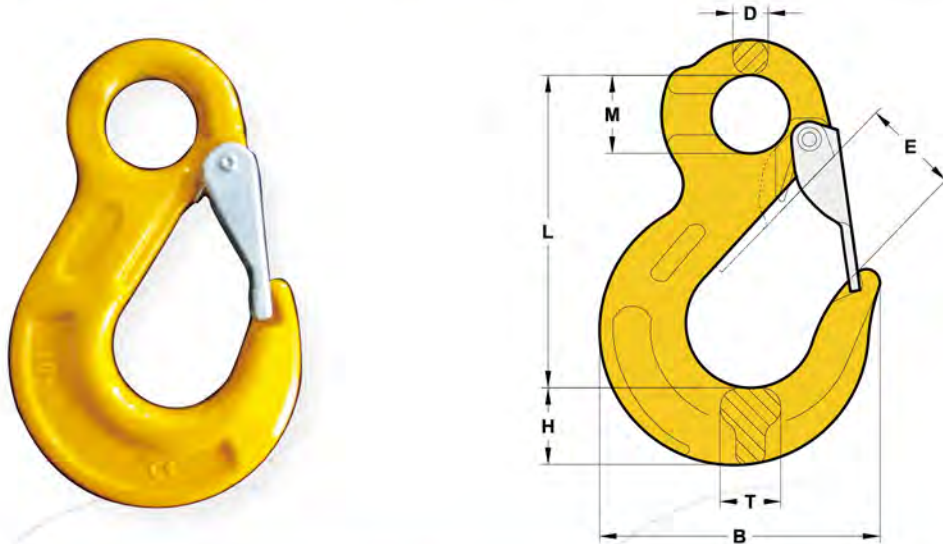
Size	Weight Each (kg)	Working Load Limit (t)	Breaking Load Limit (t)	B ± 1	C ± 2.5	D ± 1	L ± 2	T ± 1.5	H ± 1	E ± 2
6-8	0.71	1.12	4.48	32.5	22	11.25	150.5	34	19.5	29
7/8-8	1.1	2	8	35.5	26	12.5	186	46	24	34
10-8	2.0	3.15	12.6	42	34	15	217	56	30	44
13-8	4.0	5.3	21.2	50	38.5	16	262	69	40	52
16-8	7.3	8	32	61	55	21.5	332.5	86	50.5	60
20-8	11.6	12.5	50	72	61	26	363	100	55	83
22-8	16.0	15	60	95	95	33	351	98	67	88
26-8	21.5	21.2	84.8	122	115	42	452	110	75	95.5
32-8	79	31.5	126	140	126	52	680	166	97	150

G80 EYE SLING HOOK WITH CAST LATCH



Size	Weight Each (kg)	Working Load Limit (t)	Breaking Load Limit (t)	B ± 2	E ± 1	H ± 1	L ± 1	A ± 1	T ± 1
6-8	0.3	1.12	4.48	29	24	20	88	20	16
7/8-8	0.4	2	8	34	30	23	112	25	20
10-8	0.9	3.15	12.6	44	34	31	136	38	23
13-8	1.7	5.3	21.2	52	39	38	175	43	28
16-8	3.2	8	32	60	46	47	208	50	32
20-8	5.8	12.5	50	83	48	48	257	63	43
22-8	8.5	15	60	88	71	62	286	62	50
26-8	13	21.2	84.8	95.5	81	80	314	64	60
32-8	17	31.5	126	160	102	86	394	88	65

G80 EYE SLING HOOK WITH CAST LATCH



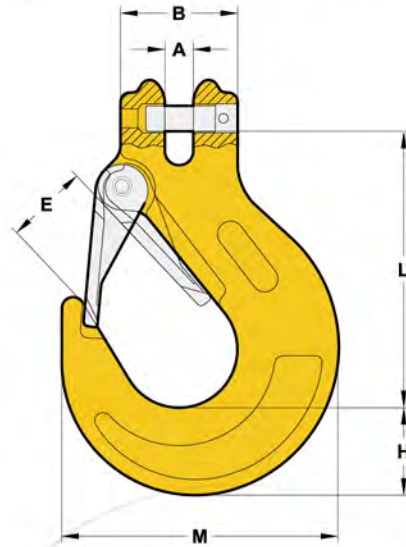
Size	Weight Each (kg)	Working Load Limit (t)	Breaking Load Limit (t)	$D \pm 1$	$E \pm 1$	$H \pm 1$	$L \pm 2$	$M \pm 1$	$T \pm 1$	$B \pm 1$
6-8	0.3	1.12	4.48	9	18.5	20	89	20.5	16	68
7/8-8	0.55	2	8	11	22	27	106.5	25	20	84
10-8	1.05	3.15	12.6	14	28	33	134.5	34	23	102.5
13-8	1.75	5.3	21.2	17.5	35	40	167.5	42.5	28	128.5
16-8	3.2	8	32	22	43	48	205	52	32	156.5
20-8	5.3	12.5	50	26	51.5	56	244	62	43	187

G80 CLEVIS SELFLOCK HOOK WITH CAST LATCH



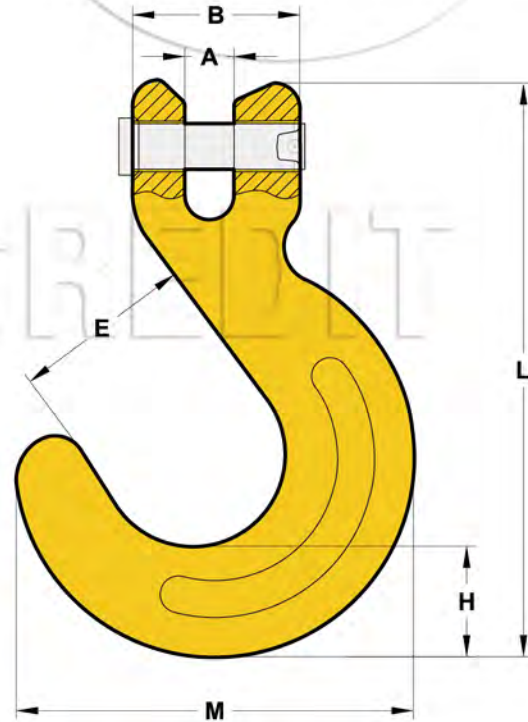
Size	Weight Each (kg)	Working Load Limit (t)	Breaking Load Limit (t)	$A \pm 0.5$	$B \pm 1.5$	$D \pm 1$	$H \pm 1$	$L \pm 2$	$E \pm 1$
6-8	0.32	1.12	4.48	8	32	35	23	76	26
7/8-8	0.48	2	8	9.5	37	37	32.5	85.5	29
10-8	0.95	3.15	12.6	13	49	46	35	104	39
13-8	1.8	5.3	21.2	16.5	56.5	56	42.5	128	47
16-8	3.4	8	32	21.5	70.5	60	54	150	55
20-8	6	12.5	50	24	77	79	58	180	61
22-8	10.4	15	60	27	91	101	62	213	72
26-8	14.5	21.2	84.8	30	117	115	75	250	85
32-8	27	31.5	126	35	150	140	88	317	106

G80 CLEVIS SELFLOCK HOOK WITH CAST LATCH



Size	Weight Each (kg)	Working Load Limit (t)	Breaking Load Limit (t)	A ± 0.5	B ± 1.2	E ± 1	H ± 2	L ± 2	M ± 2
6-8	0.3	1.12	4.48	7.5	32	19.5	20	88	68
7/8-8	0.55	2	8	9.5	38.5	24	25	106	85.5
10-8	0.96	3.15	12.6	13	48	28	36	127.5	106
13-8	1.52	5.3	21.2	16.5	55	34.5	41.6	154.4	130
16-8	3.43	8	32	18.5	65.5	43	46.2	189.8	155.5
20-8	6.73	12.5	50	24	92	51.5	51	230	180

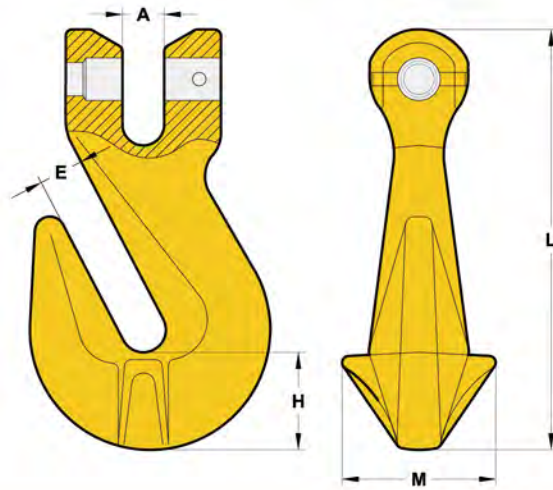
G80 CONTAINER HOOK



Size (mm)	Weight Each (kg)	Working Load Limit (t)	Breaking Load Limit (t)	A	B	E	H	M	L
13	1.5	5	20	7.5	32	19.5	20	88	68

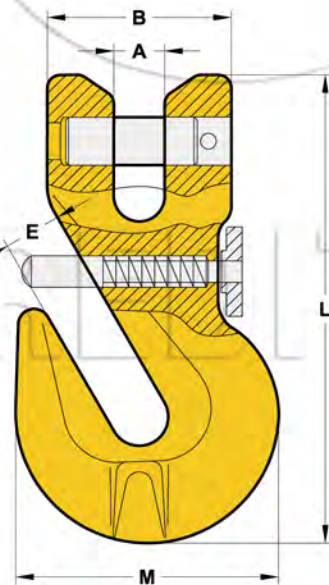
WARNING Never exceed Working Load Limit

G80 CLEVIS GRAB HOOK



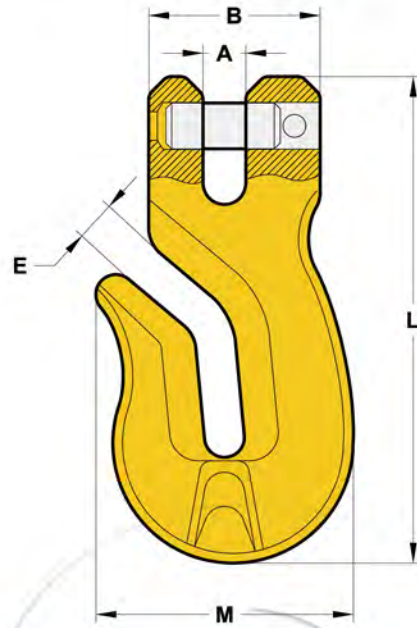
Size	Weight Each (kg)	Working Load Limit (t)	Breaking Load Limit (t)	$E \pm 1$	$A \pm 0.5$	$H \pm 1$	$W \pm 1$	$L \pm 2$
6-8	0.25	1.12	4.48	8.3	8	17.7	26.7	75
7/8-8	0.32	2	8	11	9.5	18.5	33.5	89
10-8	0.73	3.15	12.6	13	12.5	29	46	126
13-8	1.6	5.3	21.2	16.5	15	42.7	57.5	163.5
16-8	2.8	8	32	19	18.5	45	74	183.5
20-8	5	12.5	50	24	23	56	74	219
22-8	6.3	15	60	27	27	68.5	90	254
26-8	14.5	21.2	84.8	30	30	77	102	309

G80 CLEVIS GRAB HOOK WITH SAFETY PIN



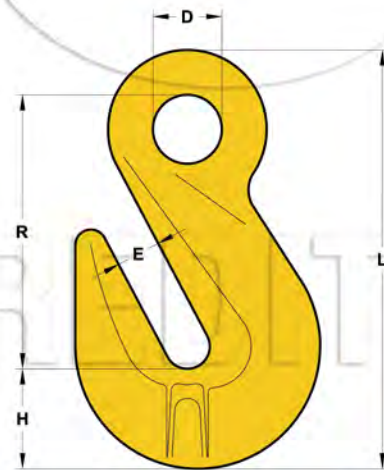
Size	Weight Each (kg)	Working Load Limit (t)	Breaking Load Limit (t)	$A \pm 0.5$	$B \pm 1.2$	$E \pm 0.5$	$M \pm 2$	$L \pm 2$
6-8	0.28	1.12	4.48	8	32	8	43.5	75
7/8-8	0.33	2	8	9.5	35	11	19.5	89
10-8	0.88	3.15	12.6	12.5	42.5	13.2	70.5	126.5
13-8	1.85	5.3	21.2	15	63	16.5	90	163.5
16-8	3.24	8	32	19.5	65.5	19.2	112.5	183.5

G80 DEEP THROAT CLEVIS GRAB HOOK



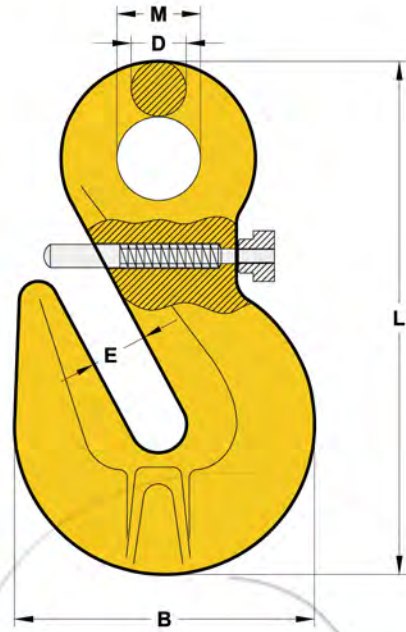
Size	Weight Each (kg)	Working Load Limit (t)	Breaking Load Limit (t)	A ± 0.5	B ± 1	E ± 0.5	M ± 2	L ± 2.5
6-8	0.19	1.12	4.48	7.5	31.5	7.5	45	85
7/8-8	0.35	2	8	9	37.5	10	57	106
10-8	0.75	3.15	12.6	12.5	47.5	13	74	127
13-8	1.63	5.3	21.2	15	58.5	15.5	89	165.5

G80 EYE SHORTENING GRAB HOOK



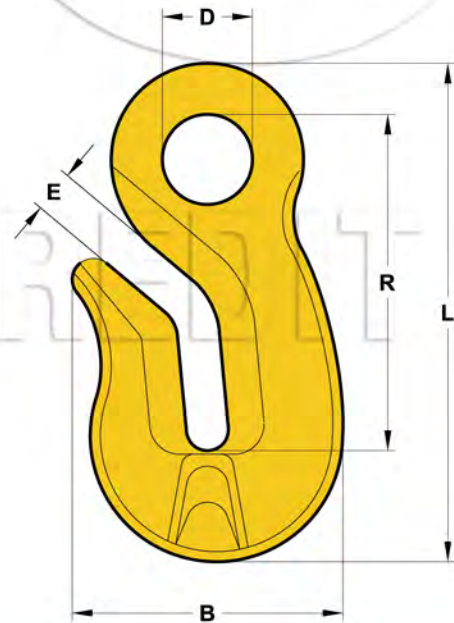
Size	Weight Each (kg)	Working Load Limit (t)	Breaking Load Limit (t)	E ± 0.5	D ± 1	H ± 1	R ± 2	L ± 2
6-8	0.14	1.12	4.48	8	13.5	17.9	51.4	75.3
7/8-8	0.245	2	8	10.8	18	20	61.5	91.2
10-8	0.65	3.15	12.6	13	20	29	80	122
13-8	1.39	5.3	21.2	16.5	26	42.8	99.7	158
16-8	2.2	8	32	20	30.5	47.7	104	169
20-8	4.6	12.5	50	25	37.5	56	140	219
22-8	8.2	15	60	28	44	68	165	259
26-8	9.8	21.2	84.8	30	44	77	188.8	298
32-8	19.4	31.5	126	38	57	95	228	361

G80 EYE SHORTENING GRAB HOOK WITH SAFETY PIN



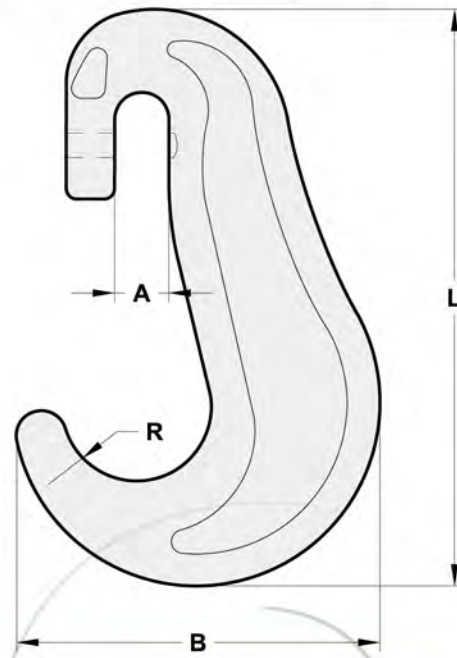
Size	Weight Each (kg)	Working Load Limit (t)	Breaking Load Limit (t)	M ± 1	B ± 1.5	D ± 1	E ± 0.5	L ± 2
7/8-8	0.29	2	8	17	50	9.5	11	88.5
10-8	0.75	3.15	12.6	20	71	13	13	121.5
13-8	1.62	5.3	21.2	26	96	15.5	16.5	158

G80 DEEP THROAT EYE GRAB HOOK



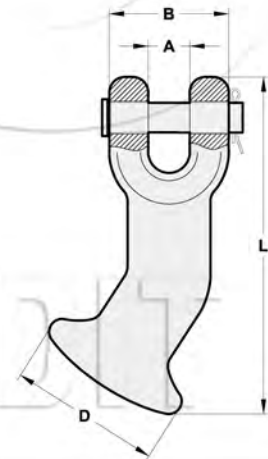
Size	Weight Each (kg)	Working Load Limit (t)	Breaking Load Limit (t)	D ± 1	E ± 0.3	B ± 1.2	R ± 1.5	L ± 1.5
6-8	0.16	1.12	4.48	15	7	45	56	83
7/8-8	0.35	2	8	16	9.6	52	75.3	106.5
10-8	0.75	3.15	12.6	21	13	66	84.5	124.5

G80 LASHING TYPE C HOOK WITH SPRING PIN



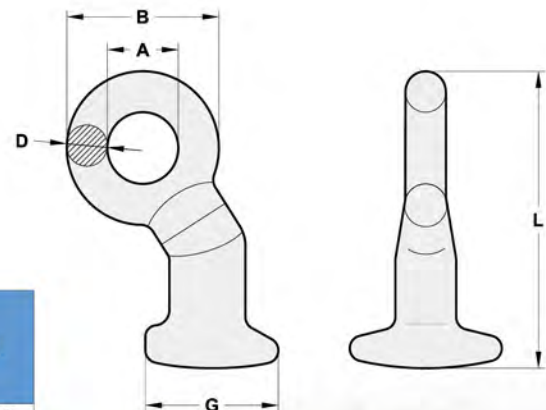
Size (mm)	Weight Each (kg)	Working Load Limit (t)	Breaking Load Limit (t)	$L \pm 2$	$A \pm 0.3$	$B \pm 1.5$	$R \pm 1$
9	0.5	2.5	10	143	13.5	90.5	18.5
11	0.85	3.75	15	177	15.5	109.5	22
13	1.38	5.4	21.6	205	15.7	129	25.5

G80 CLEVIS ELEPHANT FOOT



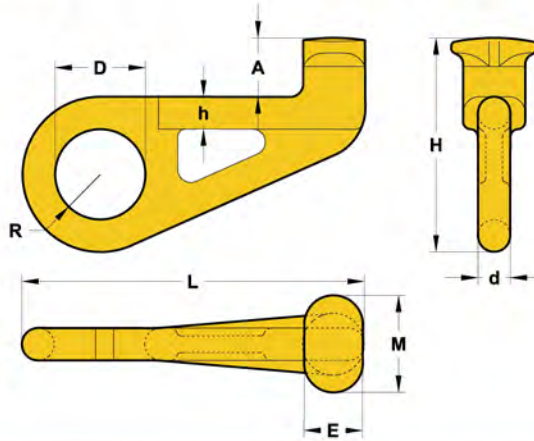
Size (mm)	Weight Each (kg)	Working Load Limit (t)	A	B	D	L
13	0.97	5	16	46	59	103.4

G80 EYE ELEPHANT FOOT



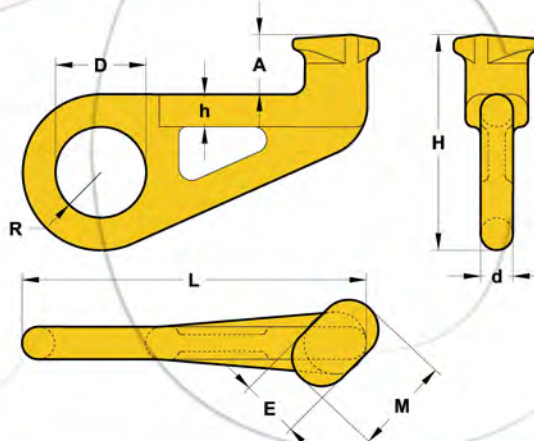
Size (mm)	Weight Each (kg)	Working Load Limit (t)	A	B	D	G	L
13	0.67	5	28	60	16	52.5	116

G80 CONTAINER HOOK STRAIGHT TYPE



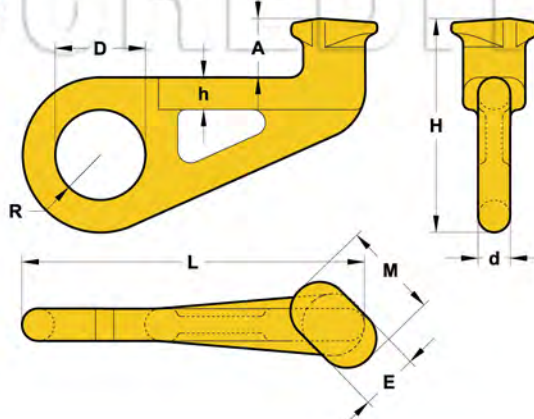
Size	Weight Each (kg)	Working Load Limit (t)	Breaking Load Limit (t)	A±1	M±2	H±2	h±1	E±1	R±1	D±1	d±1	L±2
S	4	12.5	50	46	75	166	25	48	60	70	25	265

G80 CONTAINER HOOK LEFT TYPE



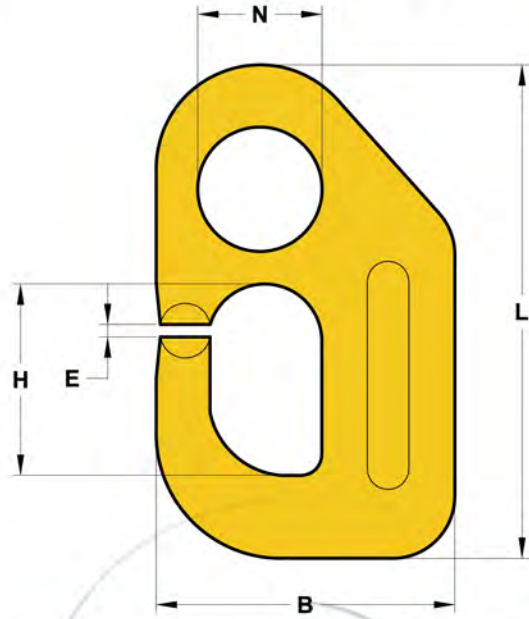
Size	Weight Each (kg)	Working Load Limit (t)	Breaking Load Limit (t)	A±1	M±2	H±2	h±1	E±1	R±1	D±1	d±1	L±2
L	4	12.5	50	46	75	166	25	48	60	70	25	265

G80 CONTAINER HOOK RIGHT TYPE



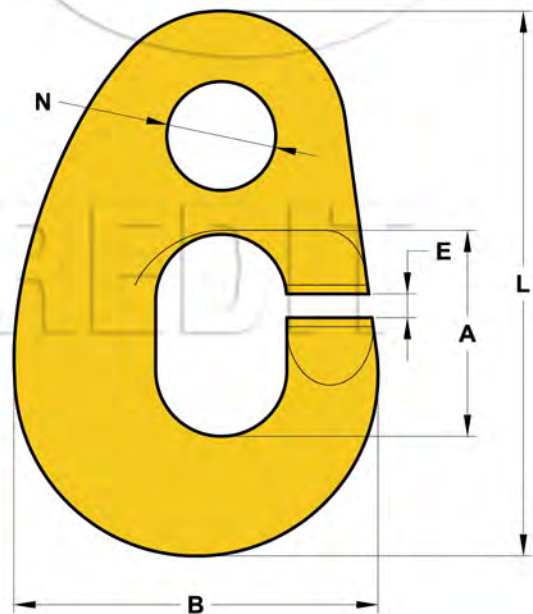
Size	Weight Each (kg)	Working Load Limit (t)	Breaking Load Limit (t)	A±1	M±2	H±2	h±1	E±1	R±1	D±1	d±1	L±2
R	4	12.5	50	46	75	166	25	48	60	70	25	265

ALLOY FORGED DV HOOK / VIKING LINK



Size	Weight Each (kg)	Working Load Limit (t)	Breaking Load Limit (t)	N ± 2	B ± 1.5	E ± 0.1	H ± 1	L ± 1.2
1.5T	0.5	1.5	7.5	28	61	3	35	102
3.0T	0.73	3	15	30	72	3	41	119
5.0T	1.2	5	25	35	84.5	3	42	137
8.0T	1.6	8	40	42	96	3	42	153

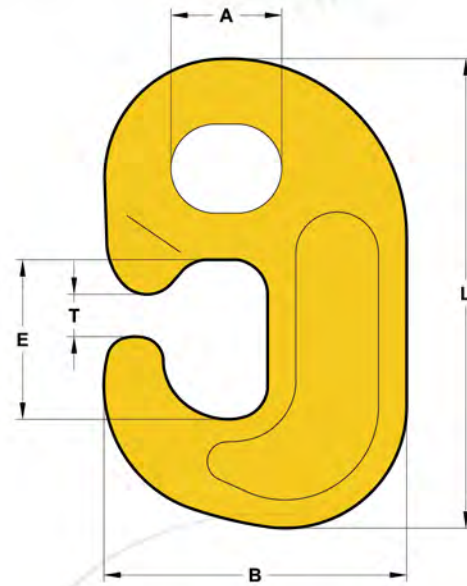
ALLOY FORGED G HOOK



Size	Weight Each (kg)	Working Load Limit (t)	Breaking Load Limit (t)	L	N	B	A	E
1.5T	0.4	1.6	6	91.5	18.3	61	33.9	4
2.6T	0.7	2.6	10.4	116.5	21.3	78.5	42	4
4T	1.35	4	16	144	25.5	94	56.8	4
6T	2.115	6	24	164	30.3	111	64	5

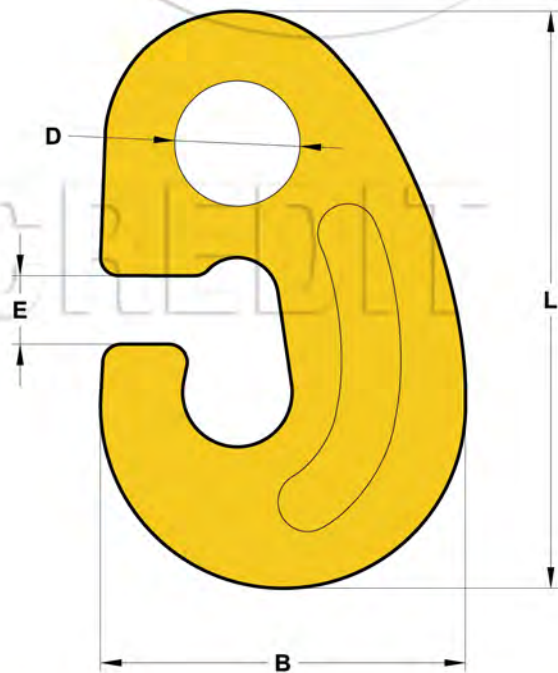
WARNING Never exceed Working Load Limit

ALLOY FORGED G HOOK



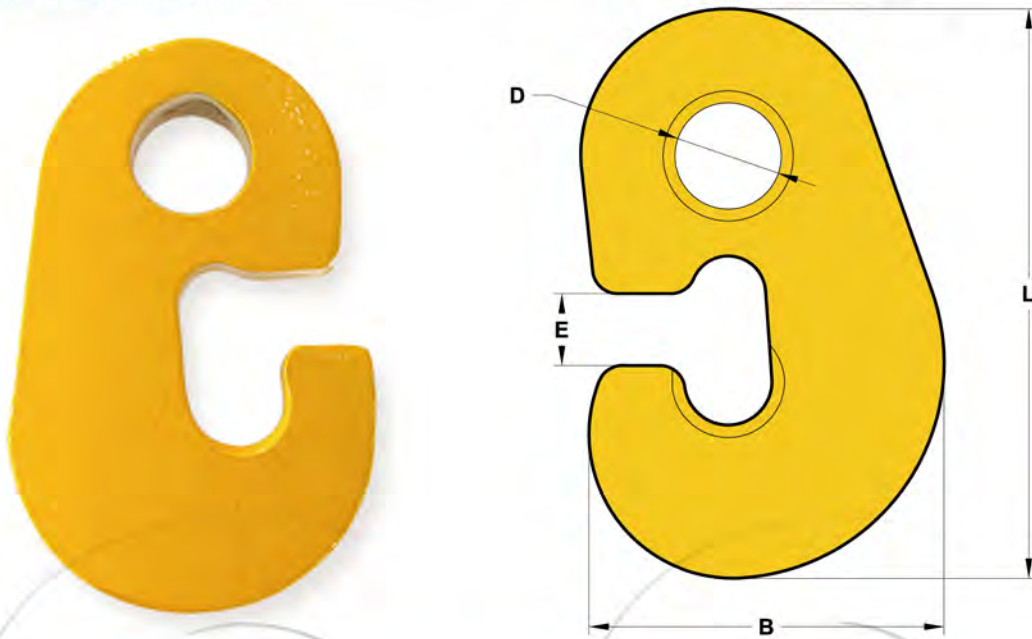
Size	Weight Each (kg)	Working Load Limit (t)	Breaking Load Limit (t)	A ± 1	B ± 1.5	E ± 1	T ± 0.5	L ± 2
3T	0.69	3	15	28.5	72.5	41.5	18	119
5T	1.13	5	25	35	83.5	44	18	136.5
8T	2.1	8	40	42	90.5	42	18	150
10T	3.98	10	50	41	116	60	19.3	185
15T	6.1	15	75	51	139	73	20	216
20T	8.4	20	100	62	156	82	28	242

ALLOY FORGED G HOOK



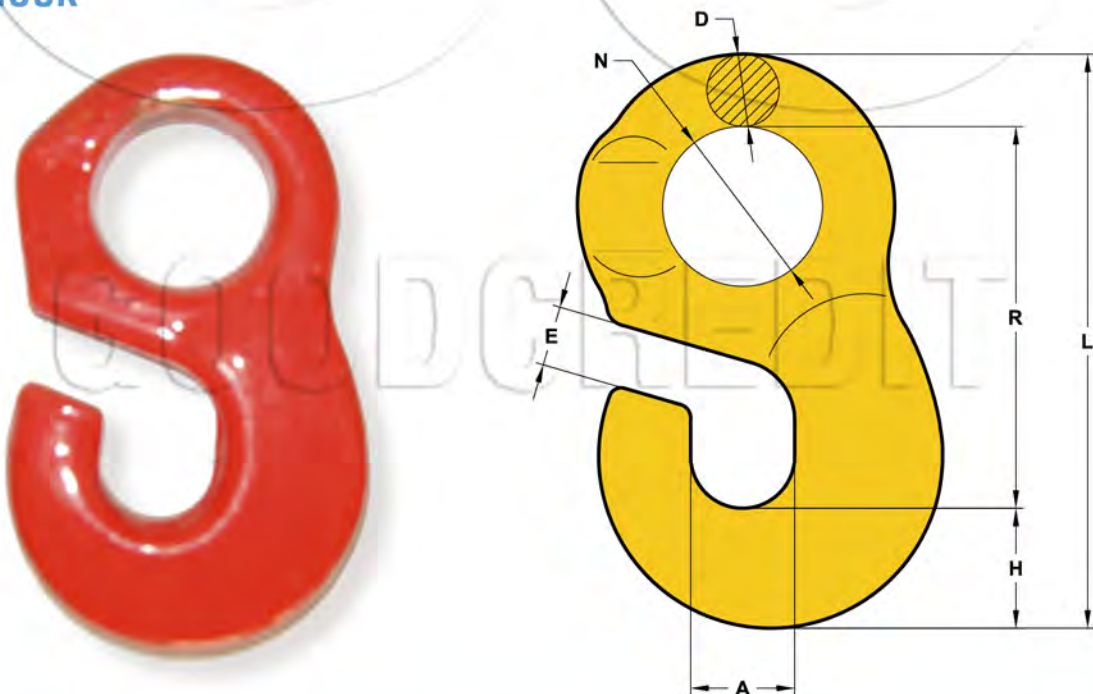
Size	Weight Each (kg)	Working Load Limit (t)	Breaking Load Limit (t)	E ± 0.5	D ± 1	B ± 1.5	L ± 2
4.2T	0.8	4.2	21	15	27.5	80	126.5
6.4T	2.6	6.4	32	19	31	105.5	180

ALLOY FORGED G HOOK



Size	Weight Each (kg)	Working Load Limit (t)	Breaking Load Limit (t)	D ± 1	B ± 2	E ± 0.5	L ± 1.5
1.0T	0.33	1	5	17	57	11.5	91
1.5T	0.6	1.5	7.5	20	66	13	107
3.2T	0.9	3.2	16	26	77	15	123
5.6T	3.1	5.6	28	38	115	23	180

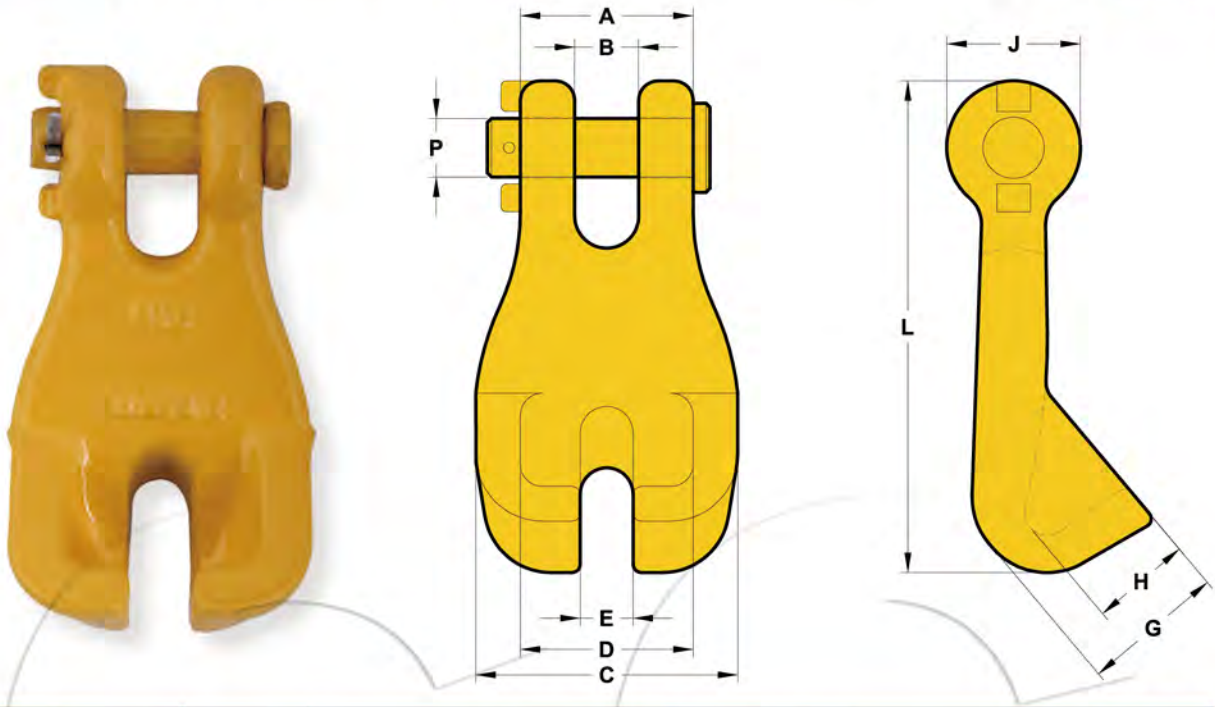
G80 G HOOK



Size	Weight Each (kg)	Working Load Limit (t)	Breaking Load Limit (t)	A ± 0.5	N ± 1	D ± 1	H ± 1	R ± 1.5	E ± 0.3	L ± 2
10	0.51	3.15	12.6	20	32	14	22	76.5	12	113
13	1.3	5.3	21.2	26	40	18	29	95.5	15	143.5
16	1.9	8.0	32	32	50	22	35.5	117	18.4	176
19	3.65	12.5	50	38	60	26	43	141	22	216.5

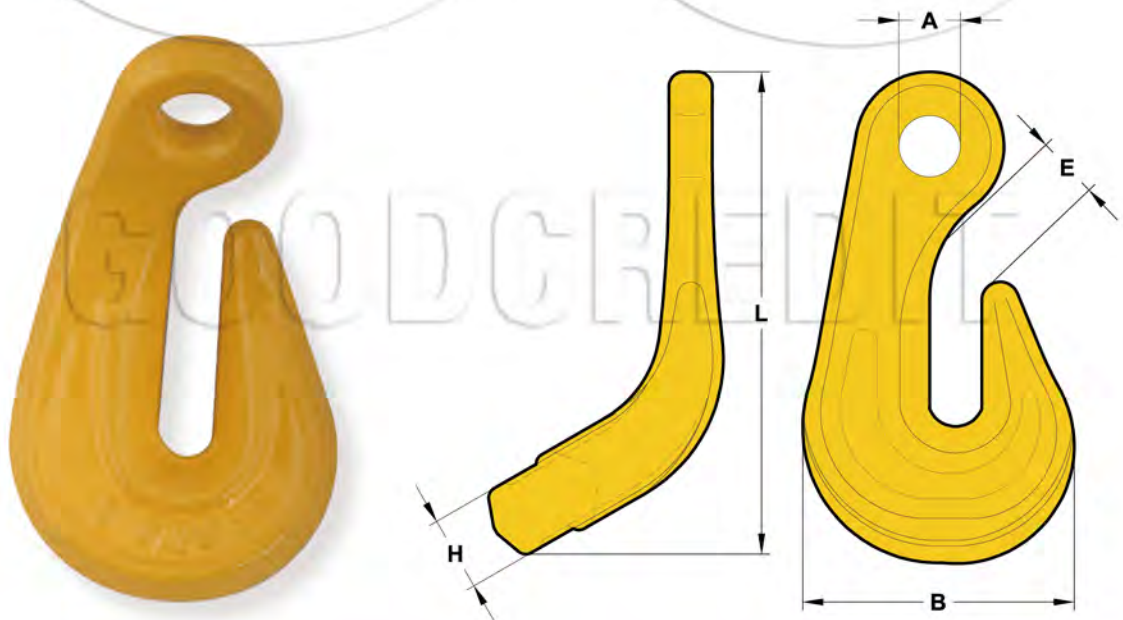
⚠ WARNING Never exceed Working Load Limit

AUSTRALIA TYPE CLEVIS CLAW HOOK



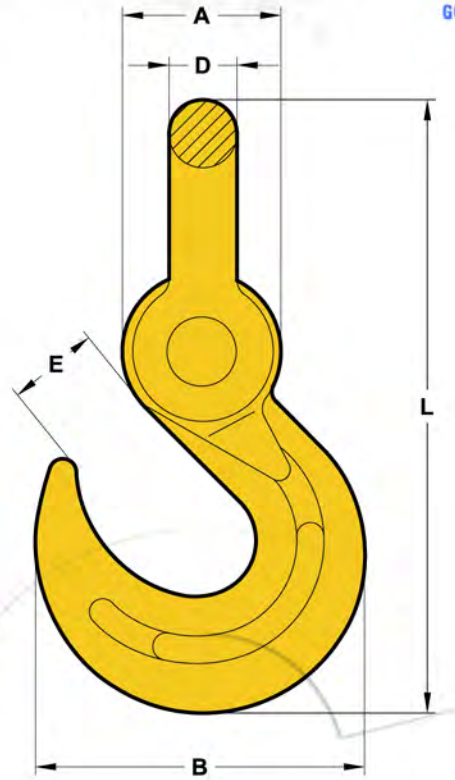
Size (mm)	Working Load Limit (lbs)	Weight (kg)	Dimensions (mm)									
			A	B	C	D	E	J	G	H	L	P
7-8	3800	0.55	31	11.5	47	31	9.5	24	25.5	18	88.3	9.6
10	6000	0.59	33	12.5	55	17	11.5	27	30	21	103.3	12

EYE BEND HOOK



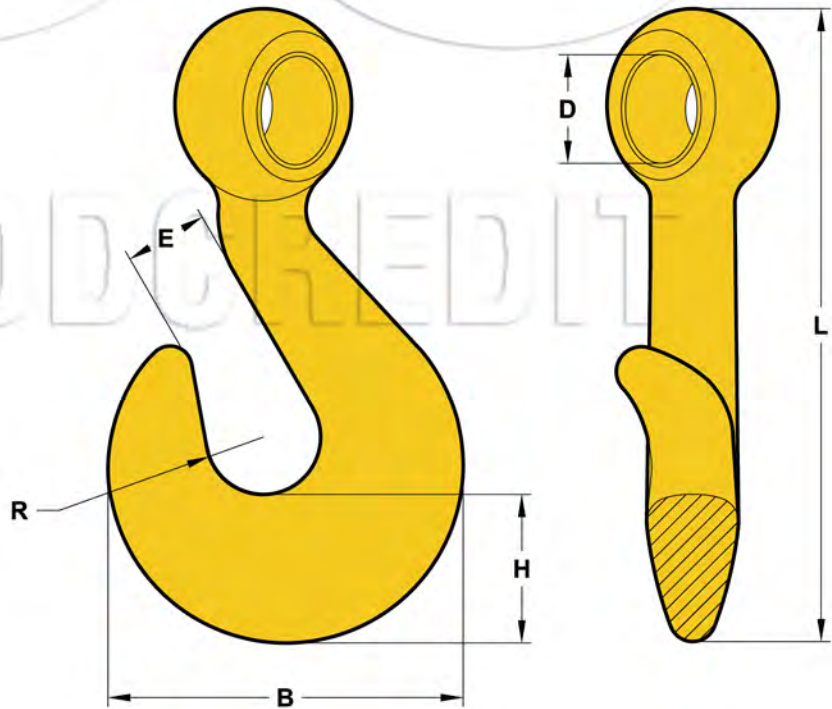
Size	Weight Each (kg)	Working Load Limit (t)	Breaking Load Limit (t)	A ± 1	B ± 2	E ± 0.5	L ± 2	H ± 1
1.86T	0.4	1.86	7.44	13	57	15	100	18.5
2T	0.5	2	8	13	58	10	105	20
5T	1.7	5	20	20	92.5	16	170	30

G80 TRACTOR HOOK



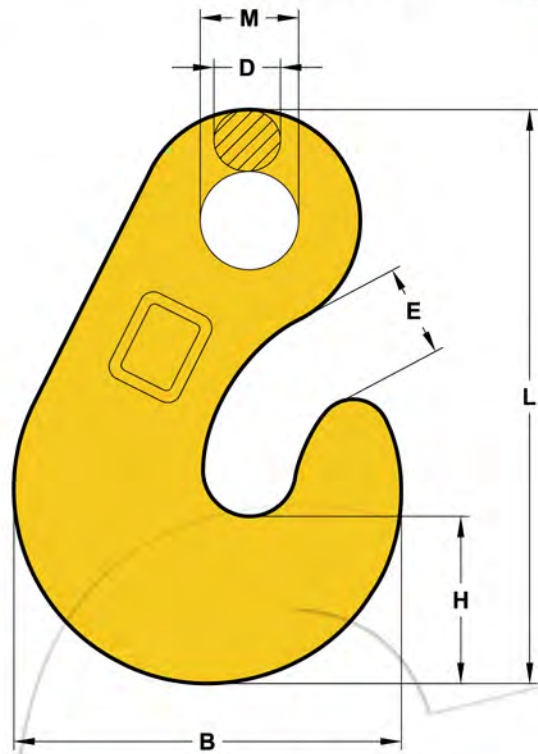
Size	Weight Each (kg)	Working Load Limit (t)	Breaking Load Limit (t)	A ± 1	D ± 0.6	L ± 2	B ± 2	E ± 0.5
8.5T	5.45	8.5	34	70	30	270.5	145.3	40

EYE TWIST HOOK



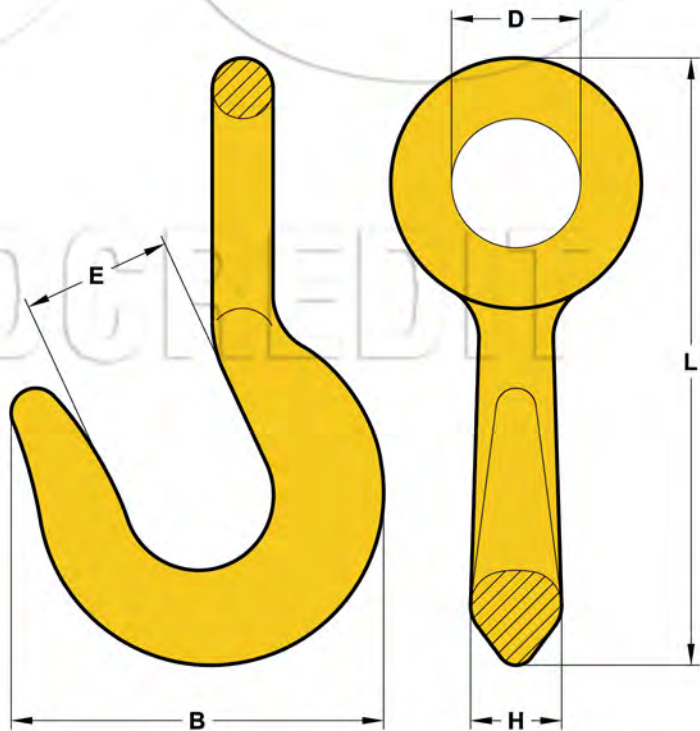
Size	Weight Each (kg)	Working Load Limit (t)	Breaking Load Limit (t)	E ± 1	R ± 1	B ± 2	H ± 1.5	L ± 2.5	D ± 0.5
8T	6.12	8	32	39	27.5	170	70.4	303	44.5

HEAVY WINCH HOOK



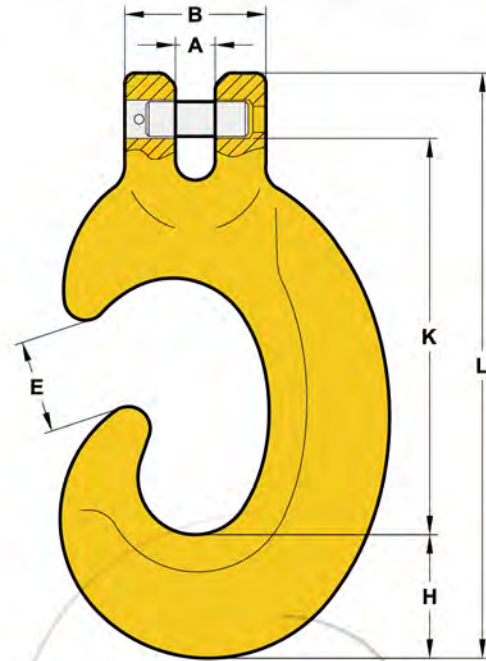
Size (in)	Weight Each (kg)	Working Load Limit (t)	Breaking Load Limit (t)	M ± 1	E ± 1	D ± 1	H ± 1.2	B ± 2	L ± 2
1-1/8	1.09	5.3	21.6	35.5	33	24	60.3	140	207

ROUND REVERSE EYE HOOK



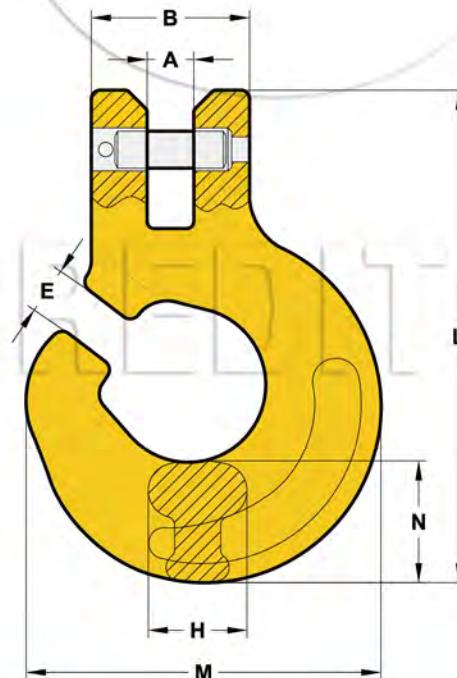
Size	Weight Each (kg)	Working Load Limit (t)	Breaking Load Limit (t)	D ± 1	B ± 2	E ± 1	L ± 2	H ± 1
6#	0.8	1.5	6	34	98	39	160	24
7#	1.14	2	8	36	116	50	192	25

G80 CLEVIS C HOOK



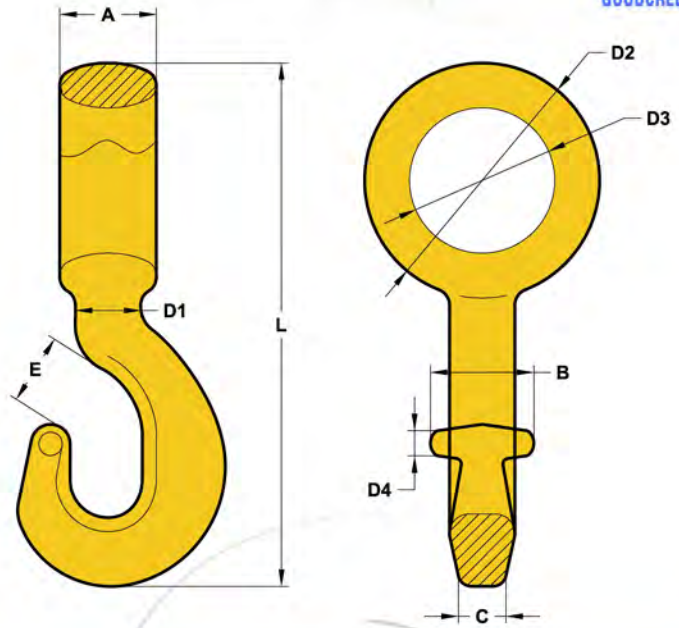
Size	Weight Each (kg)	Working Load Limit (t)	Breaking Load Limit (t)	A ± 0.5	E ± 1	B ± 1.5	H ± 1	K ± 2	L ± 2.5
7/8	0.57	2	8	9.5	20	35	28	90	136
10	1.4	3.15	12.6	13	29.5	46	39.5	127	189
13	3.0	5.3	21.2	16.5	39.5	59	52	166.5	246
16	5.42	8	32	18.5	46.5	72	59	206	298

G80 CLEVIS FOREST HOOK



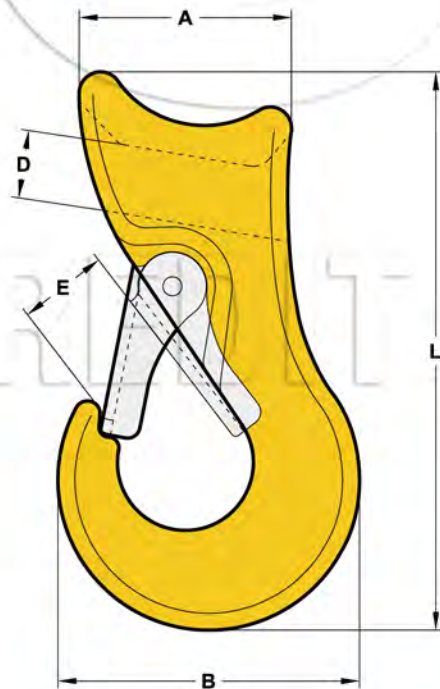
Size	Weight Each (kg)	Working Load Limit (t)	Breaking Load Limit (t)	B ± 1.2	A ± 0.5	E ± 0.5	H ± 1	M ± 2	N ± 0.5	L ± 2
6	0.413	1.12	4.48	31	8.5	8.5	18	66.5	24.5	83
7/8	0.413	2	8	35	9.5	10.5	18	72.7	22.2	95.5
10	0.92	3.15	12.6	44	13	13	22	97	33.5	137
13	1.75	5.3	21.2	53	15	16	30	119	40	165

G80 TWIST EYE CHOKE HOOK



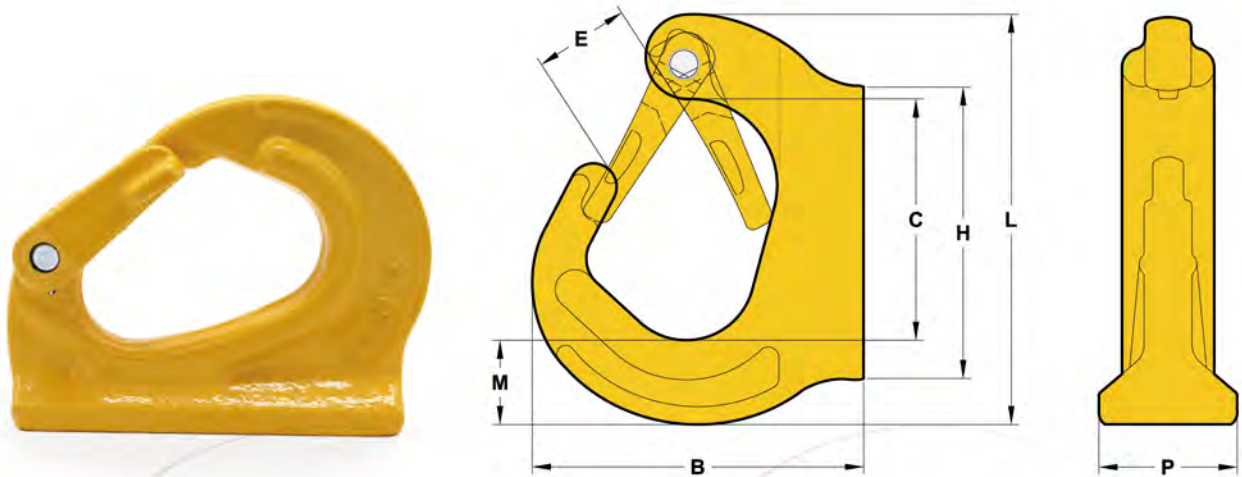
Size	Weight Each (kg)	Working Load Limit (t)	Breaking Load Limit (t)	A ± 1	B ± 1	C ± 0.5	D1 ± 1	D2 ± 1.5	D3 ± 1.5	D4	E ± 0.5	L ± 2
7/8-8	0.36	2	8	19	28	6.5	17	52	30.5	7.5	16	123
10-8	0.72	3.2	12.8	26	40	17.5	20	68	39	8	20	157
13-8	1.4	5.4	21.6	34	43	21	25	85	52	9.5	27	195
16-8	3.17	8.2	32.8	51	45.5	31	30	108	64	10.5	30	246
18-8	3.8	10	40	49.5	53	22	33.5	121	75	12	37	268
20/22-8	8.95	15.3	61.2	70	80	14	52	146	84	14	47	367

G80 SLIDING EYE CHOKE HOOK



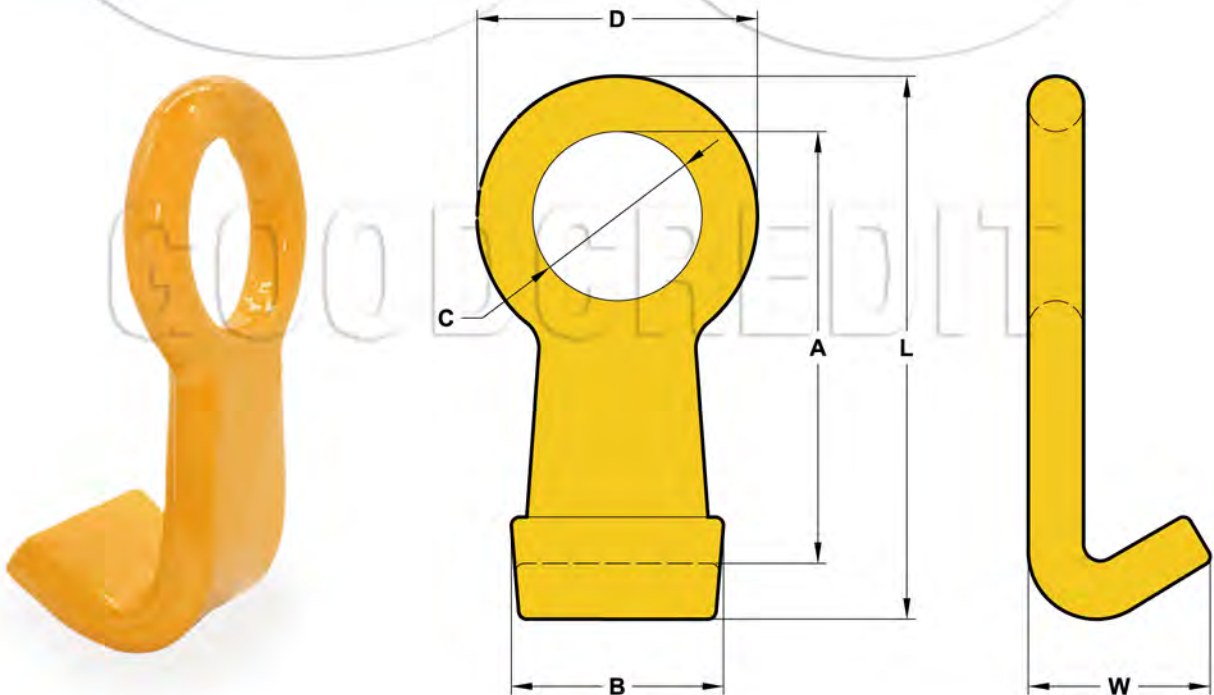
Size	Weight Each (kg)	Working Load Limit (t)	Breaking Load Limit (t)	D ± 0.5	A ± 1.5	B ± 1.5	E ± 2	L ± 3
3/8-1/2	0.68	1.6	8	17	50	71	21	132
5/8	1.21	2	10	22	63.5	79	23	151.5
3/4	1.99	3	15	28	69	103	29	170
1	4.18	5	25	32.5	85.7	135	38	213

G80 CLEVIS C HOOK



Size	Weight Each (kg)	Working Load Limit (t)	Breaking Load Limit (t)	B ± 1.5	C ± 1.2	E ± 0.5	H ± 2	M ± 1	P ± 1	L ± 2
2T	0.83	2	10	92	67	30	81	23.3	34	114
3T	1.2	3	15	106	73.5	33.2	116	33.6	36	129
5T	2.46	5	25	133	94	35	159	44	43.5	171
8T	3.26	8	40	136.5	94	33.31	159	44	51	177
10T	5.17	10	50	169.5	134.5	50.54	194	54.7	53	223

G80 SLIDING EYE CHOKE HOOK



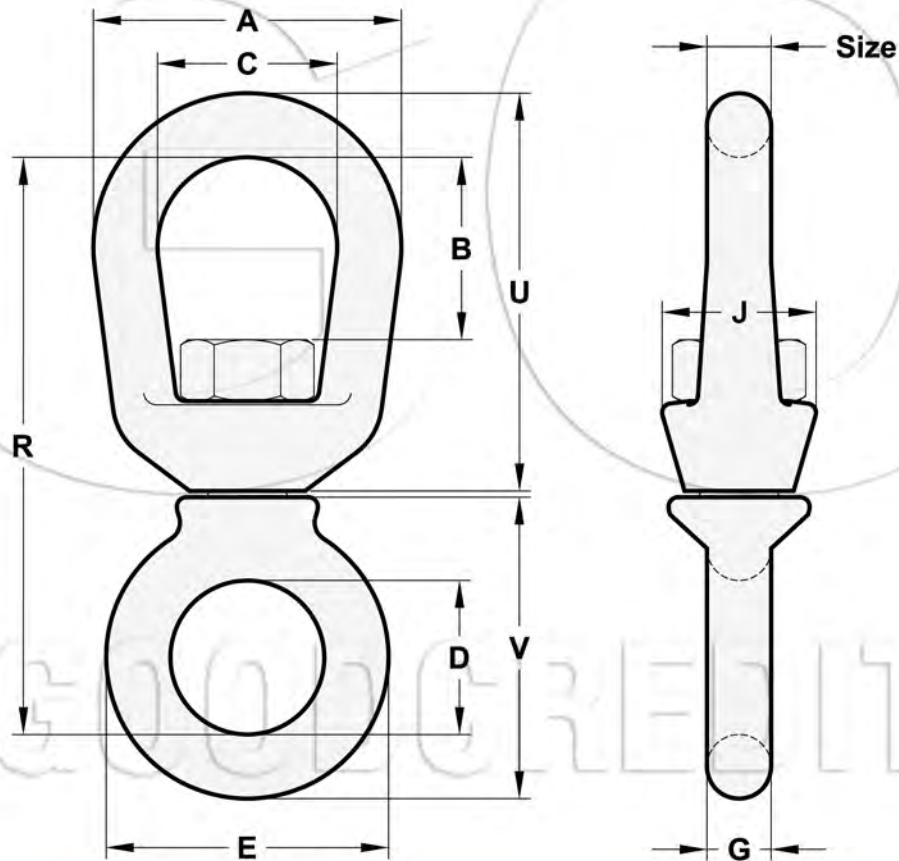
Size	Weight Each (kg)	Working Load Limit (t)	Breaking Load Limit (t)	A ± 2	B ± 2	C ± 1	D ± 1.2	L ± 2	W ± 2
1T	0.7	1	4	109	60	38	64.5	118.5	59
2T	0.55	2	8	102	50	40	66	128	43

⚠ WARNING Never exceed Working Load Limit

If you are in need of other types
not listed in our catalogue
please contact our sales department.

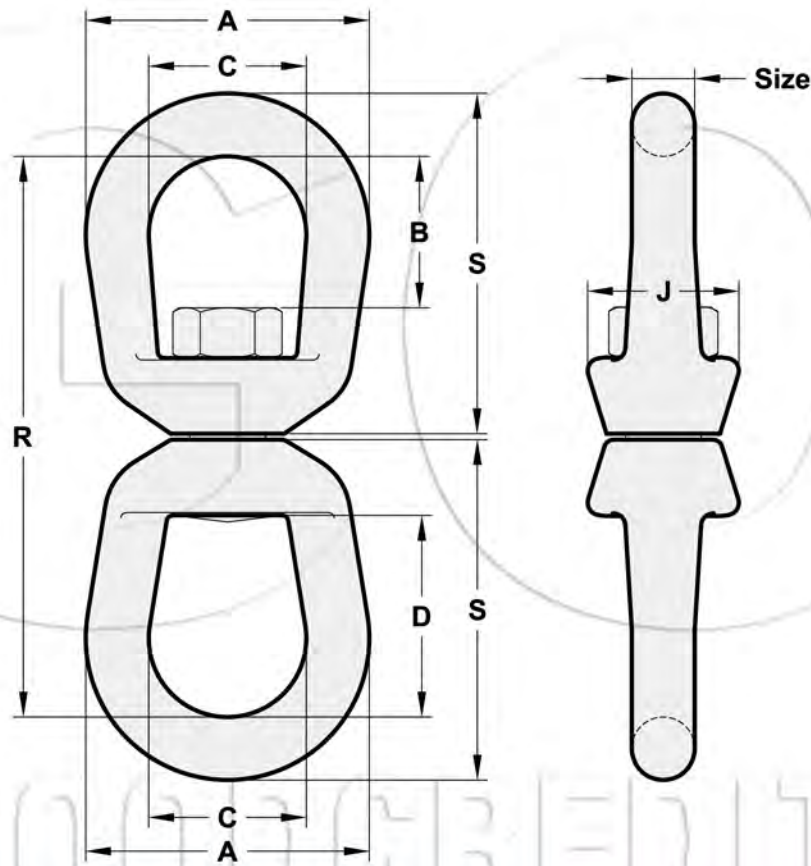






Size	Working Load Limit (lbs)	Weight Each (lbs)	Dimensions(in)										
			A	B	C	D	E	G	J	M	R	U	V
1/4	850	0.13	1.25	0.69	0.75	0.62	1.12	0.25	0.69	0.31	2.25	1.69	1.25
5/16	1250	0.25	1.63	0.81	1.00	0.75	1.38	0.31	0.81	0.38	2.72	2.06	1.47
3/8	2250	0.54	2.00	0.94	1.25	1.00	1.75	0.38	1.00	0.50	3.44	2.50	1.88
1/2	3600	1.12	2.50	1.31	1.50	1.25	2.25	0.50	1.31	0.63	4.25	3.19	2.44
5/8	5200	2.09	3.00	1.56	1.75	1.50	2.75	0.62	1.50	0.75	5.13	3.88	2.94
3/4	7200	3.09	3.50	1.75	2.00	1.75	3.25	0.75	1.88	0.88	5.78	4.94	3.46

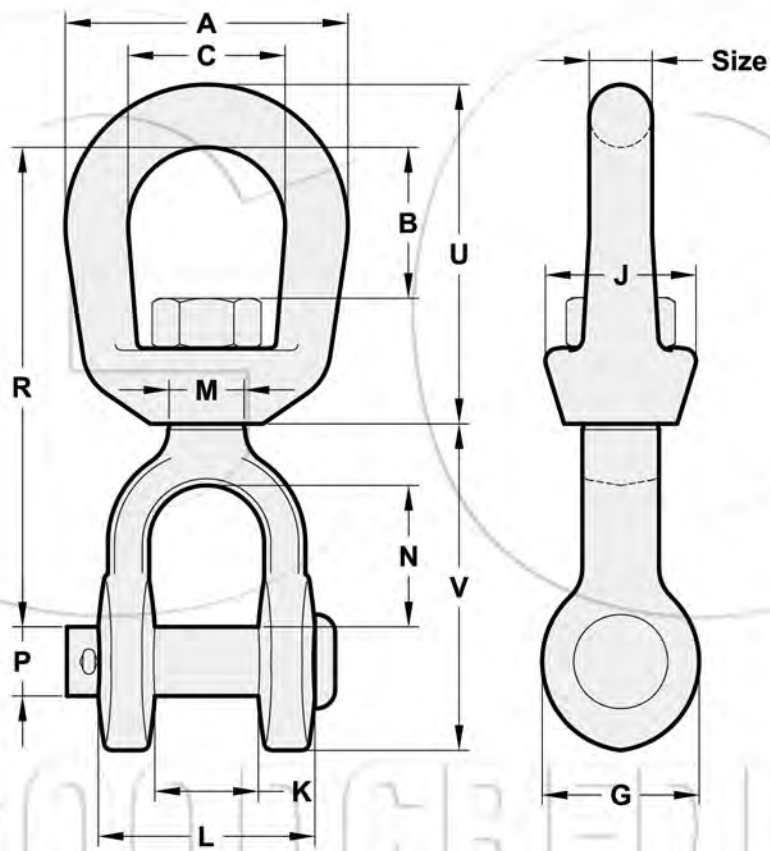
G402 REGULAR CHAIN SWIVELS



Size	Working Load Limit (lbs)	Weight Each (lbs)	Dimensions(in)							
			A	B	C	D	J	M	R	S
1/4	850	0.21	1.25	0.69	0.75	1.06	0.69	0.31	2.94	1.69
5/16	1250	0.39	1.63	0.81	1.00	1.25	0.81	0.38	3.56	2.06
3/8	2250	0.71	2.00	0.94	1.25	1.50	1.00	0.50	4.31	2.50
1/2	3600	1.32	2.50	1.31	1.50	2.00	1.31	0.38	5.44	3.19
5/8	5200	2.49	3.00	1.56	1.75	2.38	1.50	0.75	6.56	3.88
3/4	7200	4.02	3.50	1.79	2.00	2.63	1.88	0.88	7.19	4.31
7/8	10000	6.25	4.00	2.06	2.25	3.06	2.13	1.00	8.38	5.00
1	12500	8.95	4.50	2.31	2.50	3.50	2.38	1.13	9.63	5.75
1-1/4	18000	16.37	5.63	2.69	3.13	3.69	3.00	1.50	11.44	6.75
1-1/2	45200	45.79	7.09	3.88	4.09	3.88	3.75	2.25	16.69	9.91

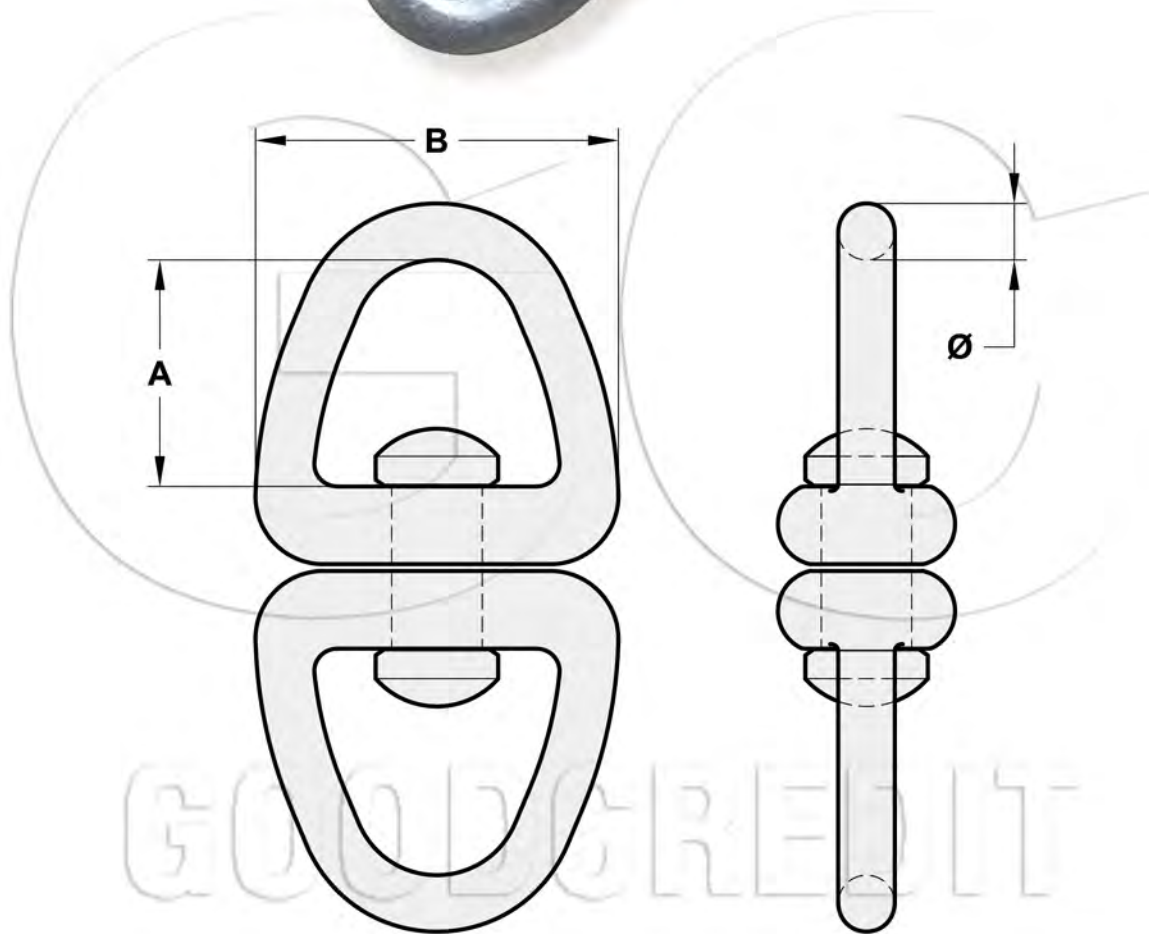
⚠ WARNING Never exceed Working Load Limit

G403 JAW SWIVELS



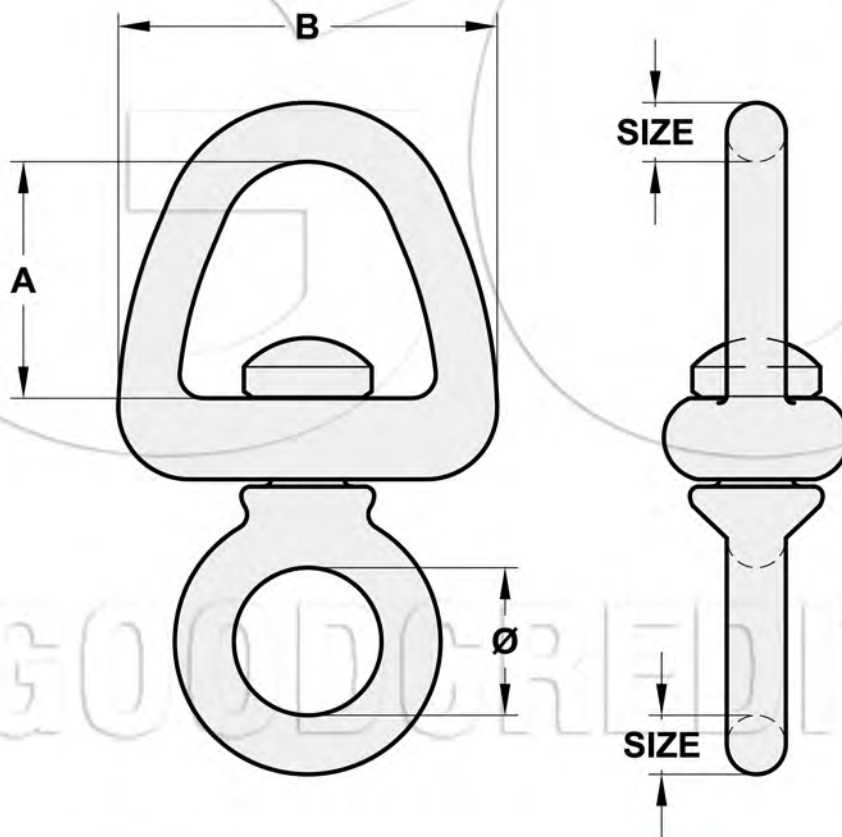
Size	Working Load Limit (lbs)	Weight Each (lbs)	Dimensions(in)												
			A	B	C	G	J	K	L	M	N	P	R	U	V
1/4	850	0.21	1.25	0.69	0.75	0.69	0.69	0.47	1.03	0.31	0.88	0.25	2.63	1.69	1.69
5/16	1250	0.34	1.63	0.81	1.00	0.81	0.81	0.50	1.13	0.38	0.88	0.31	2.94	2.06	1.81
3/8	2250	0.66	2.00	0.94	1.25	1.00	1.00	0.63	1.41	0.50	1.06	0.38	3.63	2.50	2.25
1/2	3600	1.34	2.50	1.31	1.50	1.31	1.31	0.75	1.75	0.63	1.31	0.50	4.50	3.19	2.88
5/8	5200	2.48	3.00	1.56	1.75	1.63	1.50	0.94	2.06	0.75	1.50	0.63	5.31	3.88	3.44
3/4	7200	3.88	3.50	1.75	2.00	1.88	1.88	1.13	2.53	0.88	1.75	0.75	6.06	4.31	4.00
7/8	10000	5.87	4.00	2.06	2.25	2.13	2.13	1.34	2.79	1.00	2.06	0.88	7.00	5.00	4.53
1	12500	9.84	4.50	2.31	2.50	2.63	2.88	1.75	3.72	1.13	2.81	1.13	8.56	5.75	5.94
1-1/4	18000	15.75	5.69	2.69	3.13	3.13	3.00	2.06	4.31	1.63	2.81	1.38	9.75	7.06	6.38
1-1/2	45200	54.75	7.00	3.88	4.00	5.63	4.00	2.88	6.00	2.25	4.44	2.25	14.25	10.00	10.84

FISHING SWIVELS "8" TYPE



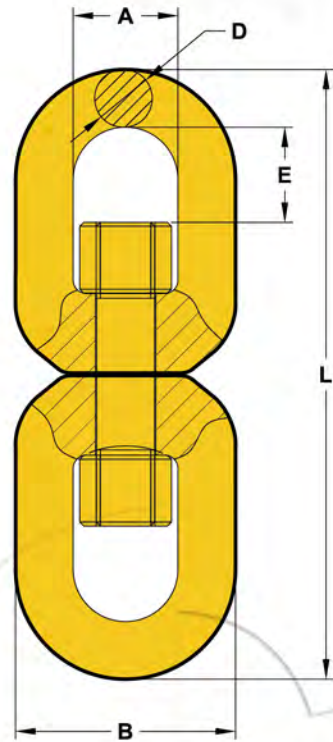
Size	Working Load Limit (t)	Weight Each (kg)	Dimensions(in.)		
			A	B	Φ
8	0.3	0.15	30	22	8
10	0.7	0.25	38	29	10
12	1.2	0.4	40	32	12
14	2	0.6	46	36	14
16	3	0.85	50	40	16
18	3.5	1.2	55	46	18
22	5	2	70	55	22
24	6	3	80	64	24

FISHING SWIVELS FIXED TYPE



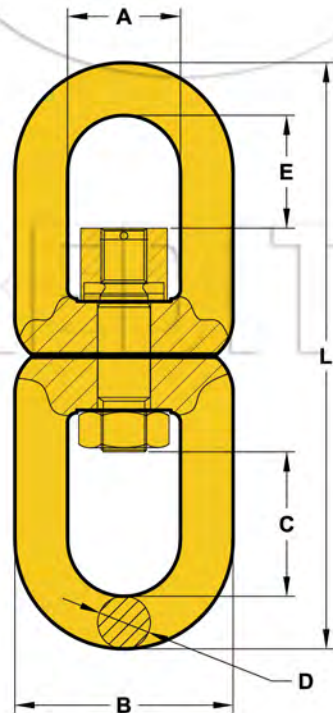
Size	Working Load Limit (t)	Weight Each (kg)	Dimensions(in.)		
			A	B	Φ
12	1.5	0.3	40	32	12
14	2.5	0.45	45	38	14
16	3	0.65	50	40	16
18	3.5	0.85	56	42	18
22	5	1.5	63	46	22
24	6	2	68	50	24
28	8	3	78	56	28

G80 SWIVEL



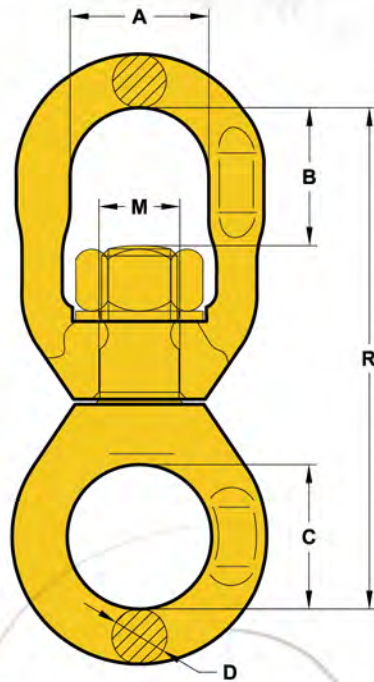
Size (in)	Weight Each (kg)	Working Load Limit (t)	Breaking Load Limit (t)	A ± 1.2	B ± 1.5	E ± 1.5	L ± 3	D ± 1
1-1/2	13.55	17	85	72	148	61	435	37
1-3/4	15.95	25	125	80	168	68	464	43

G80 SWIVEL WITH BEARING



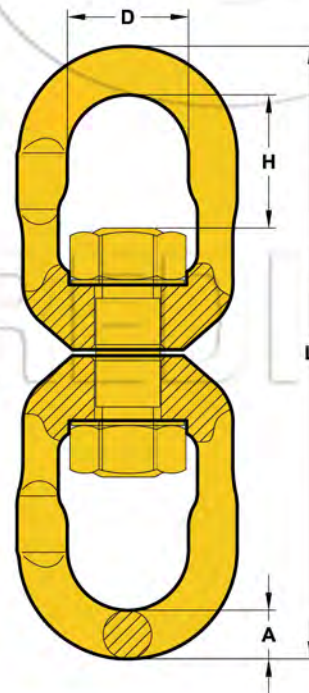
Size	Weight Each (kg)	Working Load Limit (t)	Breaking Load Limit (t)	A ± 1	B ± 2	E ± 1.5	C ± 1.5	D ± 1	L ± 2
10	1.85	3.15	12.6	38	76	34.5	51	19	209
13	5.5	5.3	21.2	60	116	60	77	28	312

G80 EYE SWIVEL



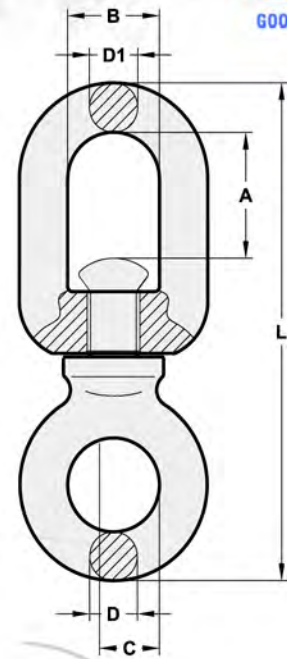
Size	Weight Each (kg)	Working Load Limit (t)	Breaking Load Limit (t)	A ± 1.2	B ± 1.5	C ± 1	D ± 1	M	R ± 2.5
10	1.35	3.15	12.6	42	40	42	16	22	146
13	2.02	5.3	21.2	49	52.5	48	19	24	175
16	4.1	8.0	32	60	63	60	23	30	215
19	5.83	12.5	50	71	78	72	27	36	256

G80 REGULAR SWIVEL



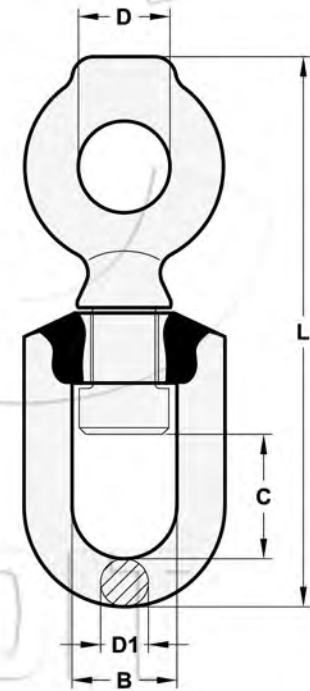
Size	Weight Each (kg)	Working Load Limit (t)	Breaking Load Limit (t)	A ± 1	D ± 1	H ± 1.5	L ± 2
7/8	0.6	2	8	12.5	35.5	28.5	164
10	1.5	3.15	12.6	15	42	34.5	194.5
13	1.75	5.3	21.2	21.2	50	43.5	216.5
16	4.52	8	32	32	61	56	289

FORGED SWIVELS



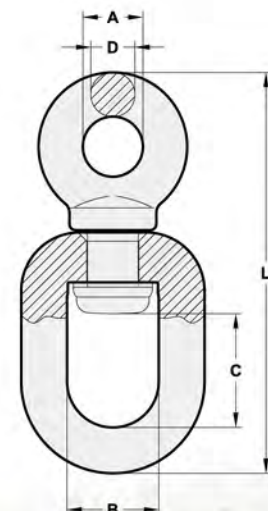
Size	Weight Each (kg)	A ± 1	B ± 0.5	C ± 1	D ± 0.5	D1 ± 0.5	L ± 2
9/16	0.58	41	29.5	30.5	15	14	158
5/8	0.85	45	34	34.5	16	16	176.5
3/4	1.39	51	38	38	20	19	201.5

WELDED SWIVELS

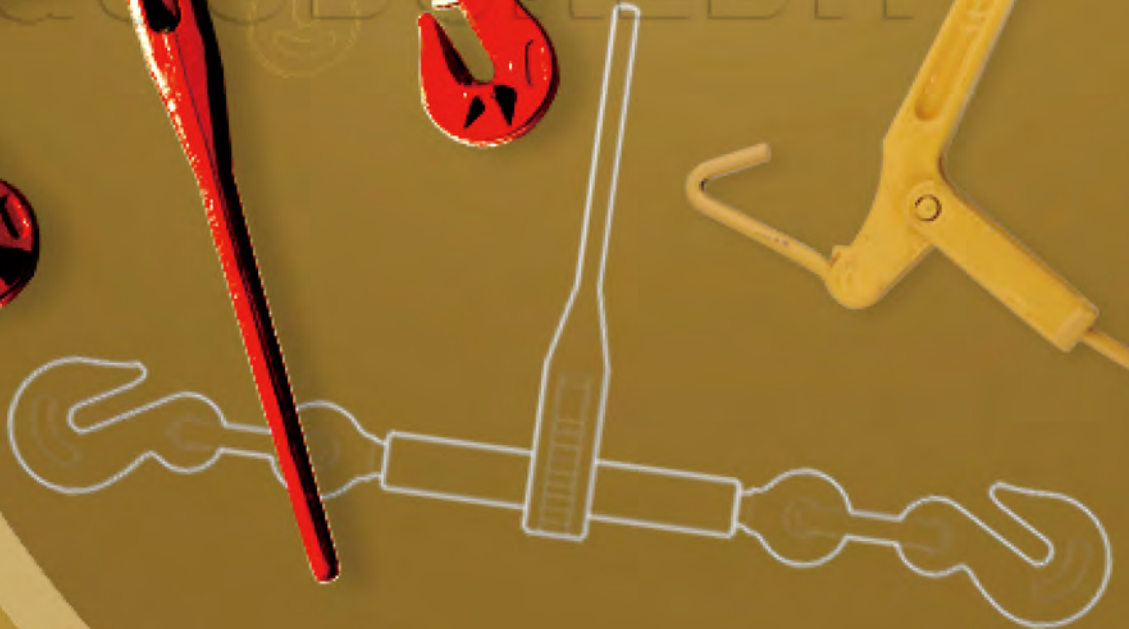


Size	Weight Each (kg)	WLL (t)	B.L (t)	D ± 1	B ± 1.5	C ± 1	D1 ± 1	L ± 2.5
16	0.85	2.4	12	22	32	32	16	150
19	1.33	3.8	19	28	40	42.5	19	188
22	2.56	5.3	26.5	47	48	57	22	250
25	4.0	7.2	36	37	53	63	25	265
28	4.9	9.0	45	37	52	65	28	280

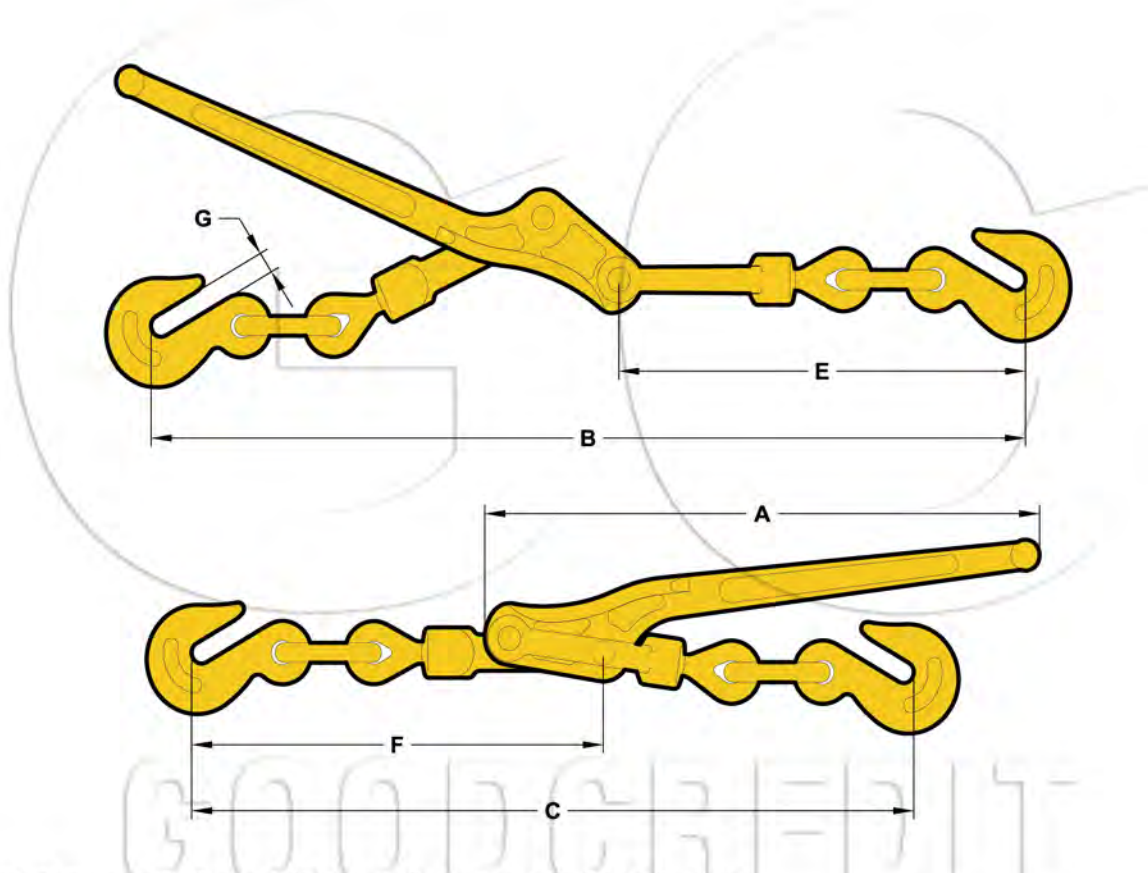
FORGED SWIVELS



Size	Weight Each (kg)	WLL (t)	B.L (t)	A ± 1	B ± 1.2	C ± 2	D ± 1	L ± 2
3T	4.4	3	12	38	58	70	29	254



US TYPE STANDARD LEVER TYPE LOAD BINDER L150

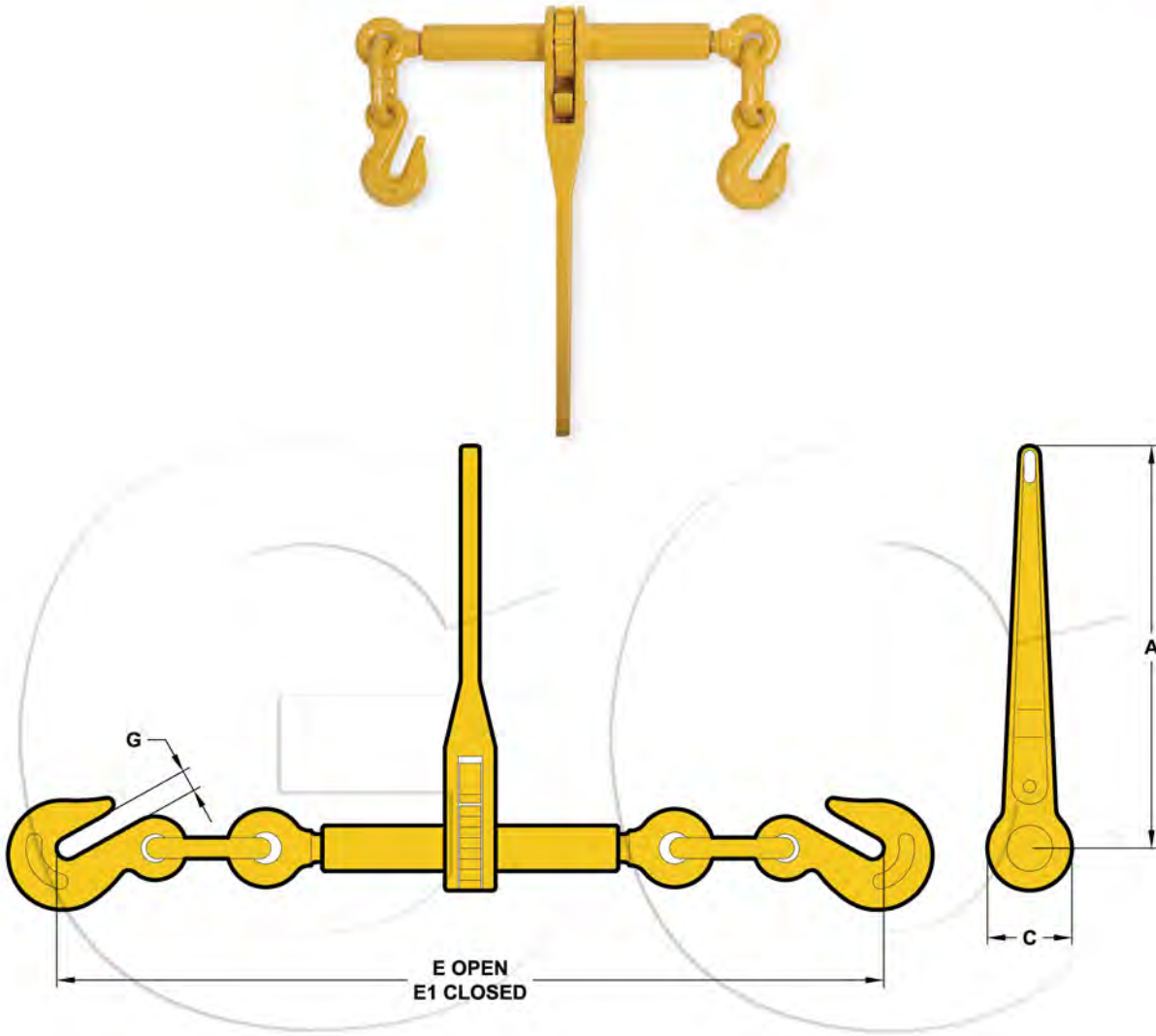


- Meets or exceeds DOT and CVSA Cargo Securement Tie-Down Guideline
- Forged-Quenched and Tempered with 100% Proof Tested
- Powder Coated
- Material Certificates and Testing Certificates available when requested at the time of order
- Packing available with Carton Box

Size	WLL (lbs)	MBL (lbs)	Weight (lbs)	Dimensions (in)					
				A	B	C	E	F	G
1/4	2600	9100	3.63	12.05	17.32	14.37	8.46	8.23	0.39
5/16-3/8	5400	19000	7.93	15.75	23.90	19.80	11.30	11.22	0.50
5/16-3/8	6600	26400	8.15	15.75	24.49	20.39	11.60	11.52	0.50
3/8-1/2	9200	33000	12.56	17.36	27.36	22.24	12.80	12.76	0.65
1/2-5/8	13000	46000	20.26	20.39	33.39	27.36	15.55	15.39	0.73

⚠ WARNING Never exceed Working Load Limit

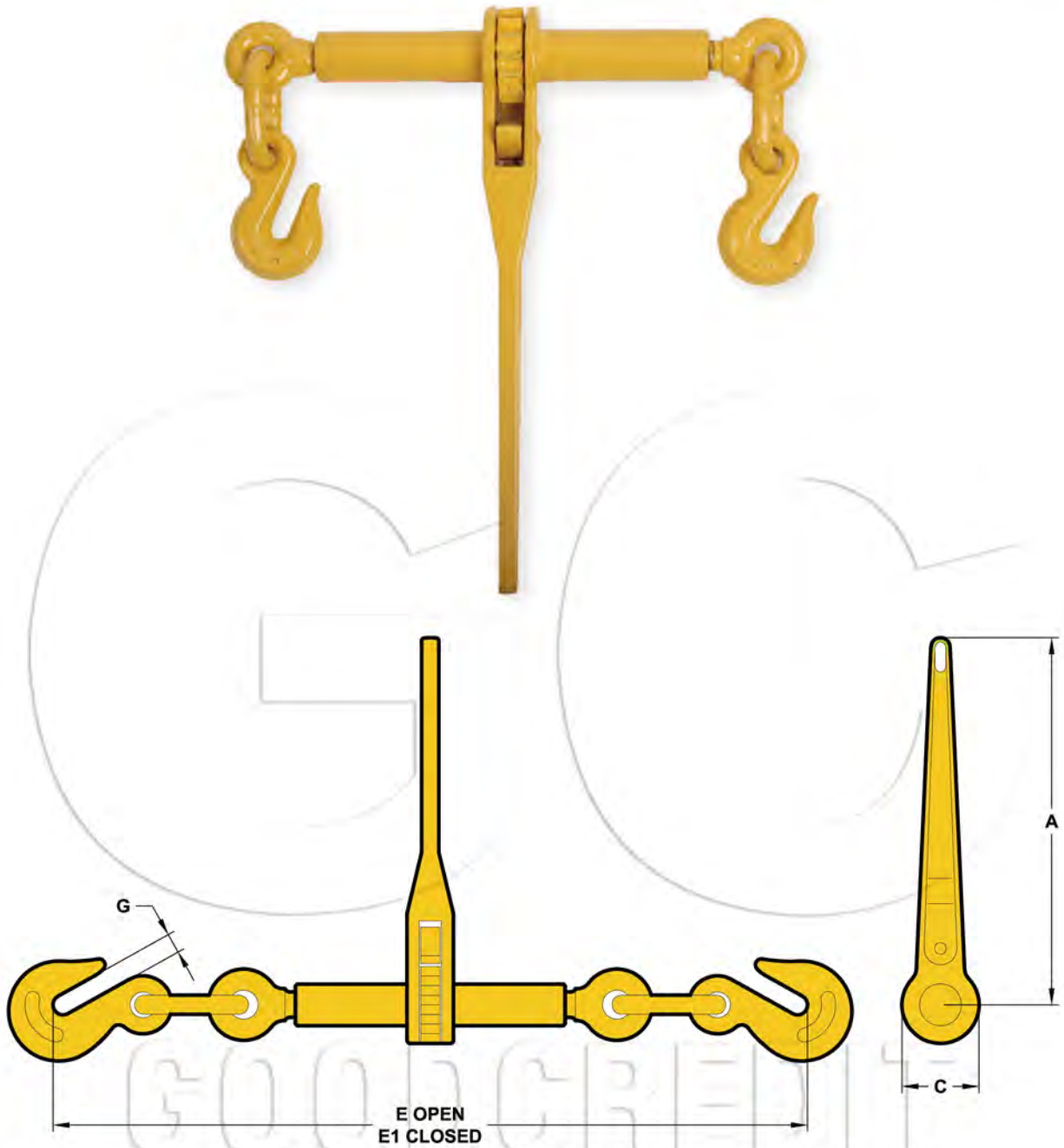
US TYPE STANDARD RATCHET TYPE LOAD BINDER L140



- Meets or exceeds DOT and CVSA Cargo Securement Tie-Down Guideline
- Available with Drop Forged or Casted Handle
- Forged-Quenched and Tempered with 100% Proof Tested
- Powder Coated
- Material Certificates and Testing Certificates available when requested at the time of order
- Packing available with Carton Box

Size	WLL (lbs)	MBL (lbs)	Weight (lbs)	Dimensions (in)				
				A	C	E	E1	G
1/4	2600	9100	3.68	8.27	1.65	17.52	22.64	0.39
5/16-3/8	5400	19000	10.36	13.98	2.56	22.95	29.29	0.50
5/16-3/8	6600	26400	10.56	13.98	2.56	23.54	29.88	0.50
5/16-3/8	8800	26400	10.95	13.98	2.56	23.54	29.88	0.50
3/8-1/2	9200	33000	11.24	13.98	2.56	23.74	30.24	0.65
3/8-1/2	15000	45000	11.69	13.98	2.56	24.45	30.95	0.65
1/2-5/8	13000	46000	15.83	13.98	2.56	27.17	33.86	0.73
5/8-3/4	20000	70000	28.60	13.98	2.56	31.61	39.29	0.93

EUROPEAN STANDARD TYPE RATCHET LOAD BINDER

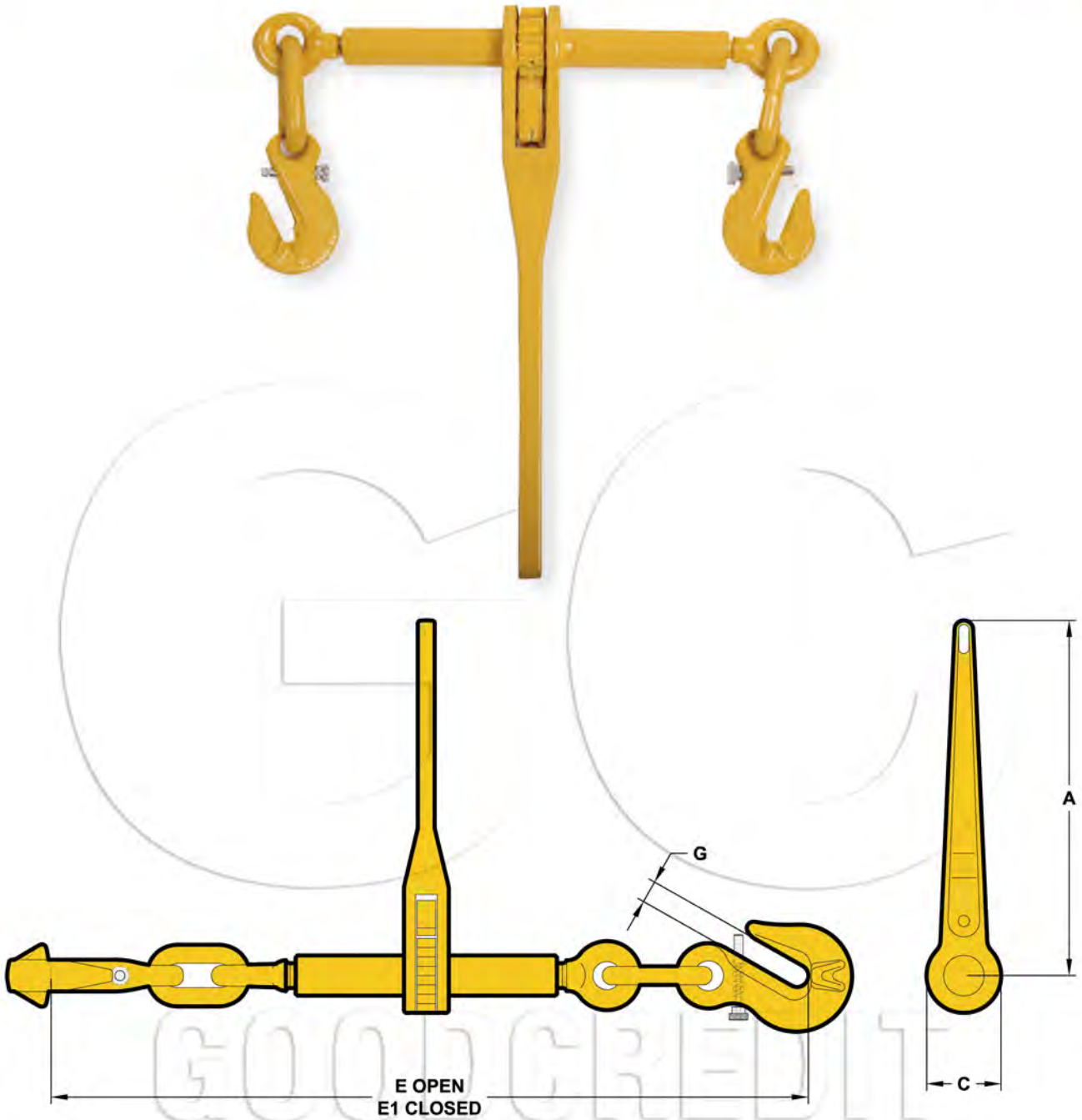


- Meets Performance Requirements of Europe Standard
- Forged-Quenched and Tempered with 100% Proof Tested
- Powder Coated
- Material Certificates and Testing Certificates available when requested at the time of order
- Packing available with Carton Box

Size	WLL (kgs)	MBL (kgs)	Weight (kgs)	Dimensions (mm)				
				A	C	E1	E	G
6mm	1000	3500	1.65	210	42	415	526	10
8-10mm	2400	8600	4.70	355	65	583	747	12.7
10-13mm	4200	15000	5.10	355	65	603	768	16.5
13-16mm	6000	20800	7.20	355	65	690	860	18.5
16-19mm	9000	32000	12.00	356	82	790	988	23.5

⚠ WARNING Never exceed Working Load Limit

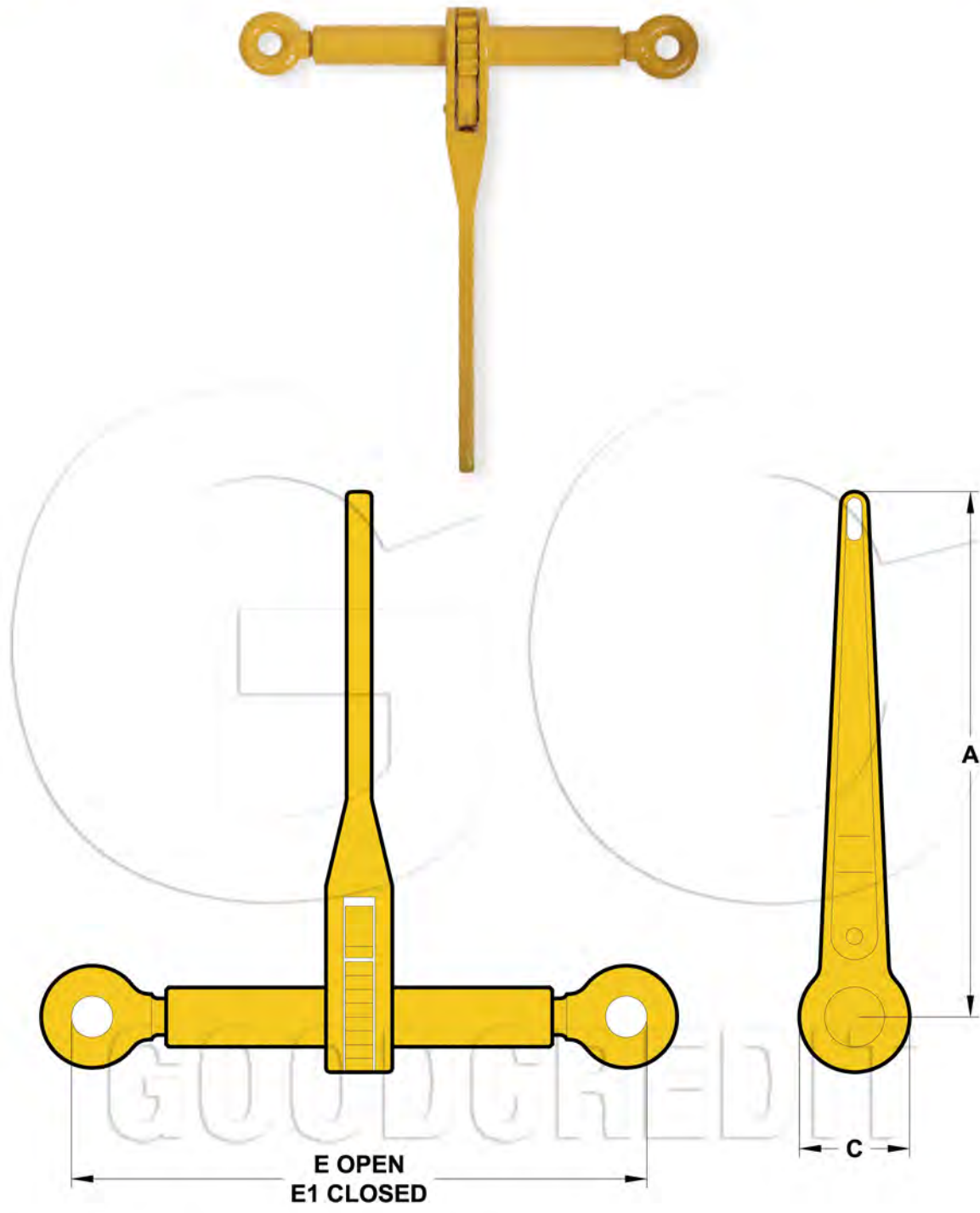
EN12195-3 TYPE RATCHET LOAD BINDER WITH SAFETY PIN



- Meets Performance Requirements of EN12195-3
- Forged-Quenched and Tempered with 100% Proof Tested
- Powder Coated
- Material Certificates and Testing Certificates available when requested at the time of order
- Packing available with Carton Box

Size	LC (kn)	BF (kn)	Weight (kgs)	Dimensions (mm)				
				A	C	E1	E	G
8mm	40	80	4.9	355	65	590	754	11
10mm	63	126	5.4	355	65	610	775	12
13mm	100	212	7.5	355	65	700	870	15
16mm	160	322	11	355	65	775	970	19

EUROPEAN STANDARD TYPE RATCHET LOAD BINDER WITHOUT LINK AND HOOK

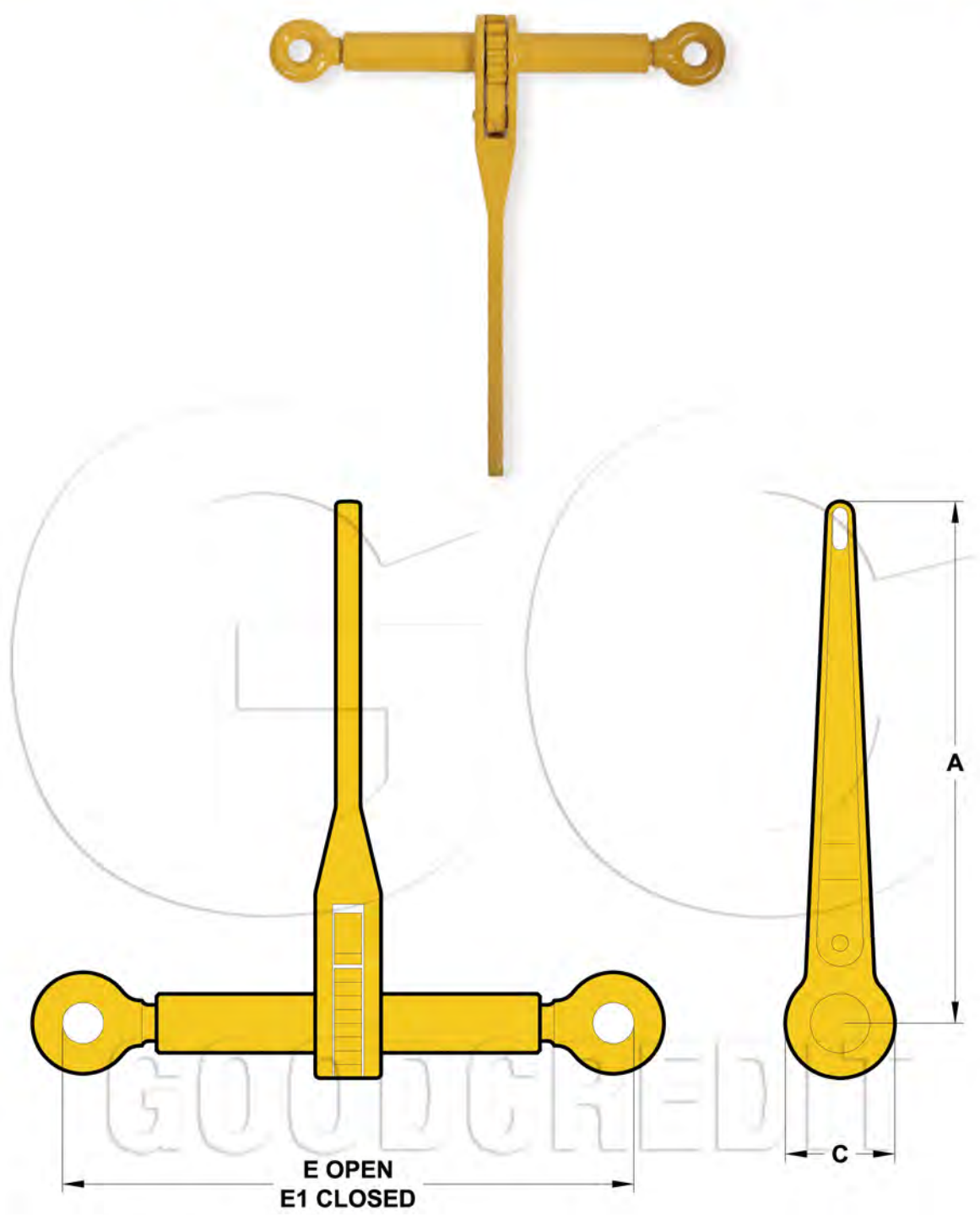


- Meets Performance Requirements of Europe Standard
- Forged-Quenched and Tempered with 100% Proof Tested
- Powder Coated
- Material Certificates and Testing Certificates available when requested at the time of order
- Packing available with Carton Box

Size	WLL (kg)	MBL (kg)	Weight (kg)	Dimensions (in)			
				A	C	E	E1
8-10mm	2400	8600	3.40	13.98	2.56	20.00	13.54
10-13mm	4200	15000	3.50	13.98	2.56	20.16	13.66
13-16mm	6000	20800	4.20	13.98	2.56	21.61	14.92

⚠ WARNING Never exceed Working Load Limit

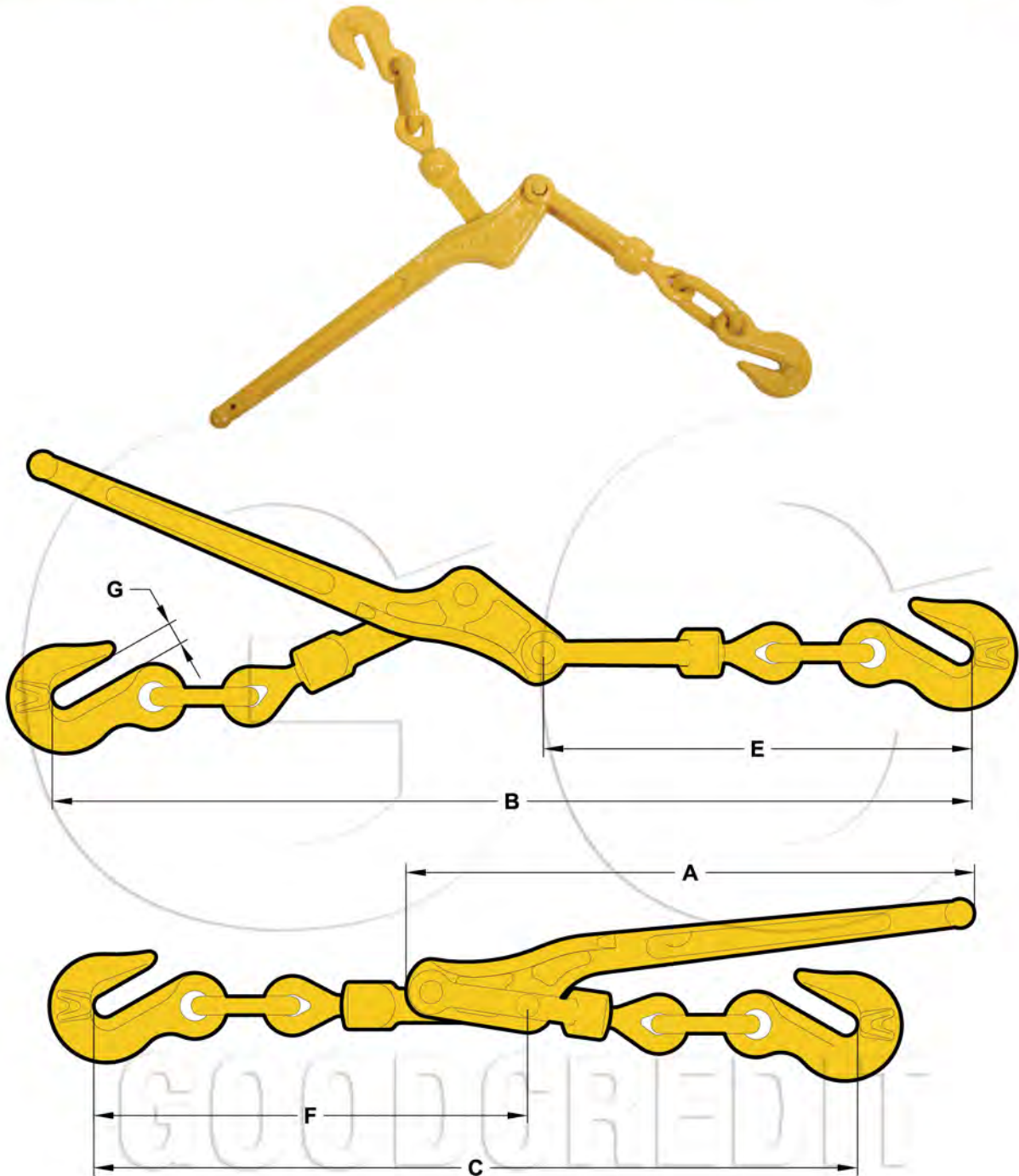
EN12195-3 TYPE RATCHET LOAD BINDER WITHOUT LINK AND HOOK



- Meets Performance Requirements of EN12195-3
- Forged-Quenched and Tempered with 100% Proof Tested
- Powder Coated
- Material Certificates and Testing Certificates available when requested at the time of order
- Packing available with Carton Box

Size	LC (KN)	BF (KN)	Weight (kg)	Dimensions (in)			
				A	C	E	E1
8mm	40	80	3.40	13.98	2.56	20.00	13.54
10mm	63	126	3.50	13.98	2.56	20.16	13.66
13mm	100	212	4.20	13.98	2.56	21.61	14.92

AUSTRALIA TYPE LEVER LOAD BINDER WITH WING HOOK

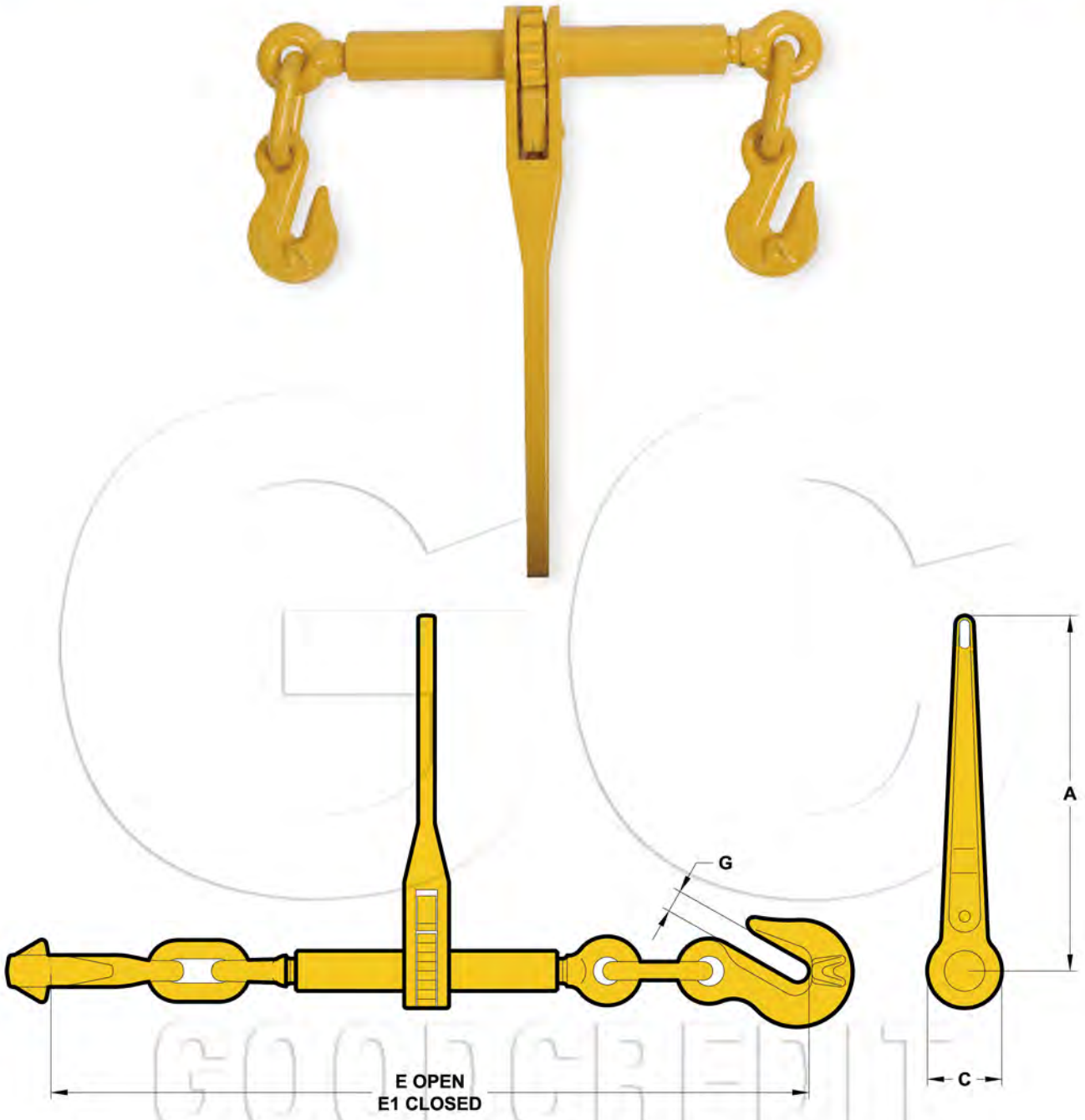


- Meets Performance Requirements of AS/NZ4344:2001 Standard
- Forged-Quenched and Tempered with 100% Proof Tested
- Powder Coated
- Material Certificates and Testing Certificates available when requested at the time of order
- Packing available with Carton Box

Size	WLL (kg)	MBL (kg)	Weight (kg)	Dimensions (mm)					
				A	B	C	E	F	G
6mm	2300	4600	1.68	306	440	365	215	209	10
7-8mm	3800	8600	3.85	400	614	510	287	285	11
10mm	6000	12000	5.8	441	702	572	325	324	12
13mm	9000	18000	9.35	518	858	705	395	391	15

⚠ WARNING Never exceed Working Load Limit

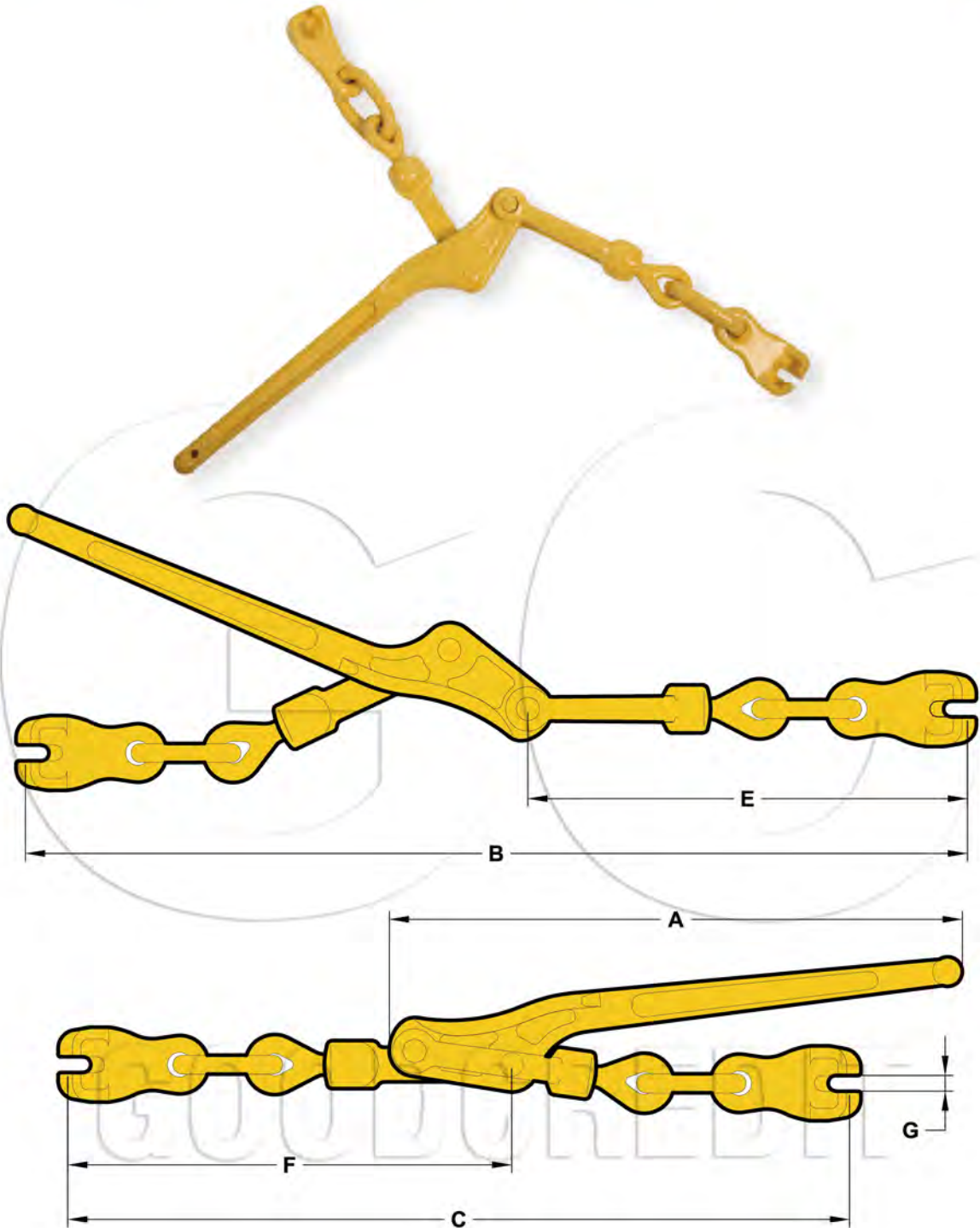
AUSTRALIA TYPE RATCHET LOAD BINDER WITH WING HOOK



- Meets Performance Requirements of AS/NZ4344:2001 Standard
- Forged-Quenched and Tempered with 100% Proof Tested
- Powder Coated
- Material Certificates and Testing Certificates available when requested at the time of order
- Packing available with Carton Box

Size	WLL (kg)	MBL (kg)	Weight (kg)	Dimensions (mm)				
				A	C	E1	E	G
6mm	2300	4600	1.69	210	42	415	528	10
7-8mm	3800	8600	4.9	355	65	590	754	11
10mm	6000	12000	5.4	355	65	610	775	12
13mm	9000	18000	7.5	355	65	700	870	15

AUSTRALIA TYPE LEVER LOAD BINDER WITH CLAW HOOK

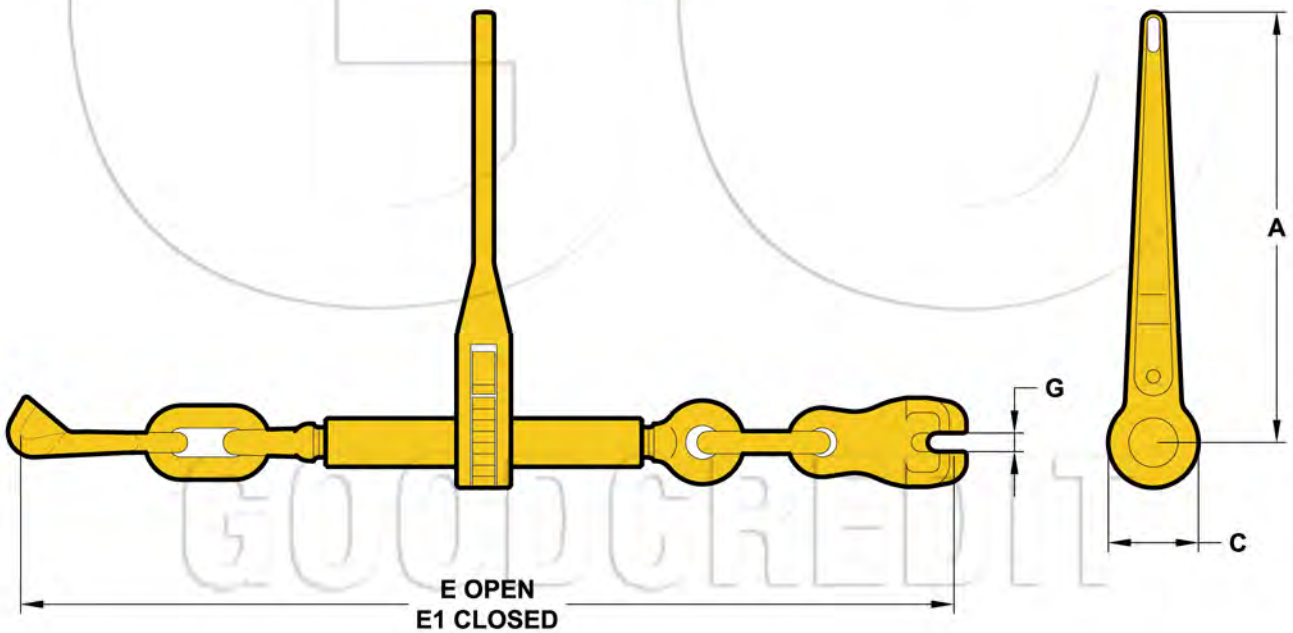


- Meets Performance Requirements of AS/NZ4344:2001 Standard
- Forged-Quenched and Tempered with 100% Proof Tested
- Powder Coated
- Material Certificates and Testing Certificates available when requested at the time of order
- Packing available with Carton Box

Size	WLL (kg)	MBL (kg)	Weight (kg)	Dimensions (mm)					
				A	B	C	E	F	G
7-8mm	3800	8600	3.8	400	633	529	300	298	9.5
10mm	6000	12000	5.8	441	735	605	345	344	11.5

⚠ WARNING Never exceed Working Load Limit

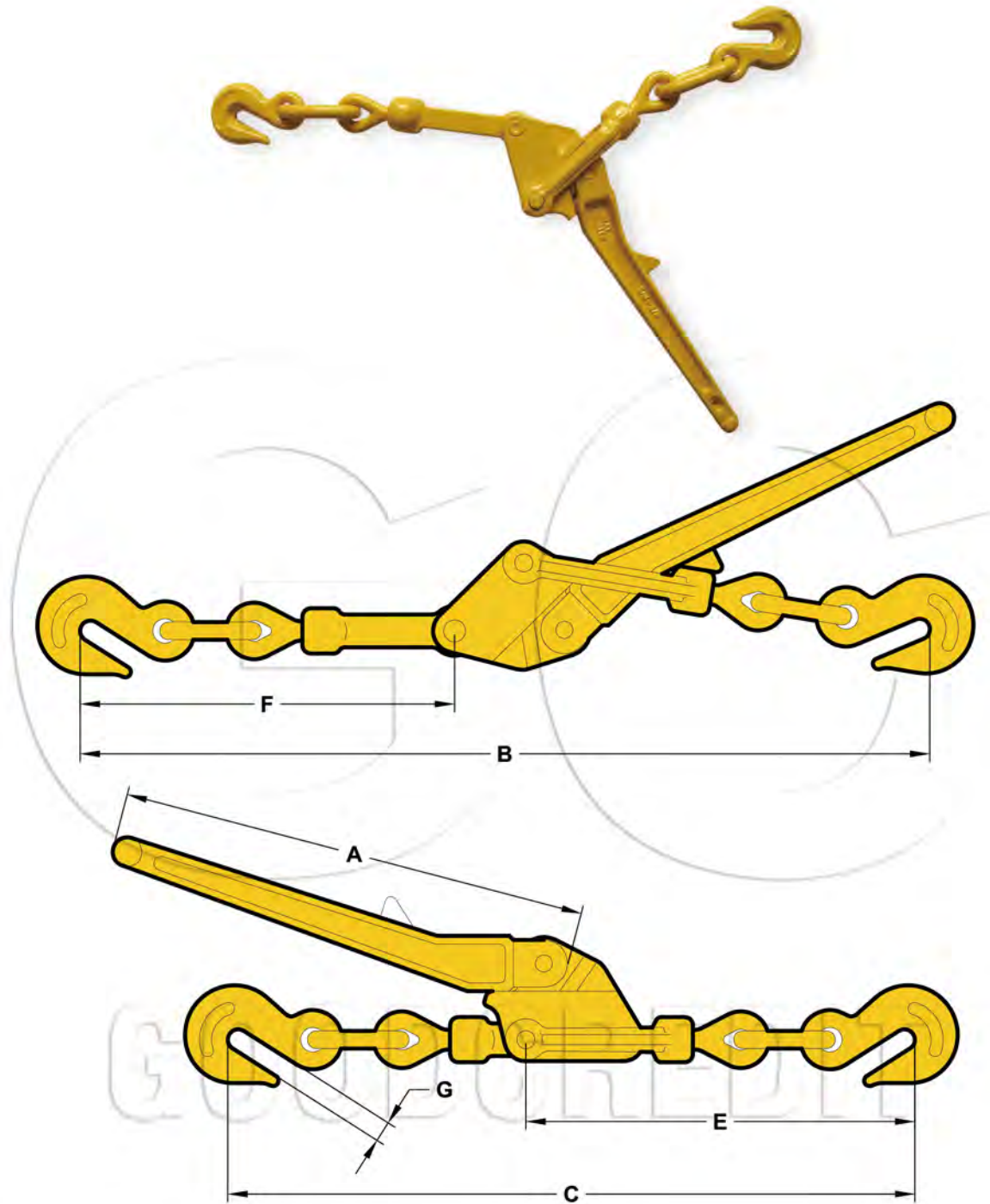
AUSTRALIA TYPE RATCHET LOAD BINDER WITH CLAW HOOK



- Meets Performance Requirements of AS/NZ4344: 2001 Standard
- Forged-Quenched and Tempered with 100% Proof Tested
- Powder Coated
- Material Certificates and Testing Certificates available when requested at the time of order
- Packing available with Carton Box

Size	WLL (kg)	MBS (kg)	Weight (kg)	Dimensions (mm)				
				A	C	E	E1	G
7-8mm	3800	8600	4.8	355	65	609	773	9.5
10mm	6000	12000	5.1	355	65	644	809	11.5

US TYPE RECOILLESS LEVER LOAD BINDER

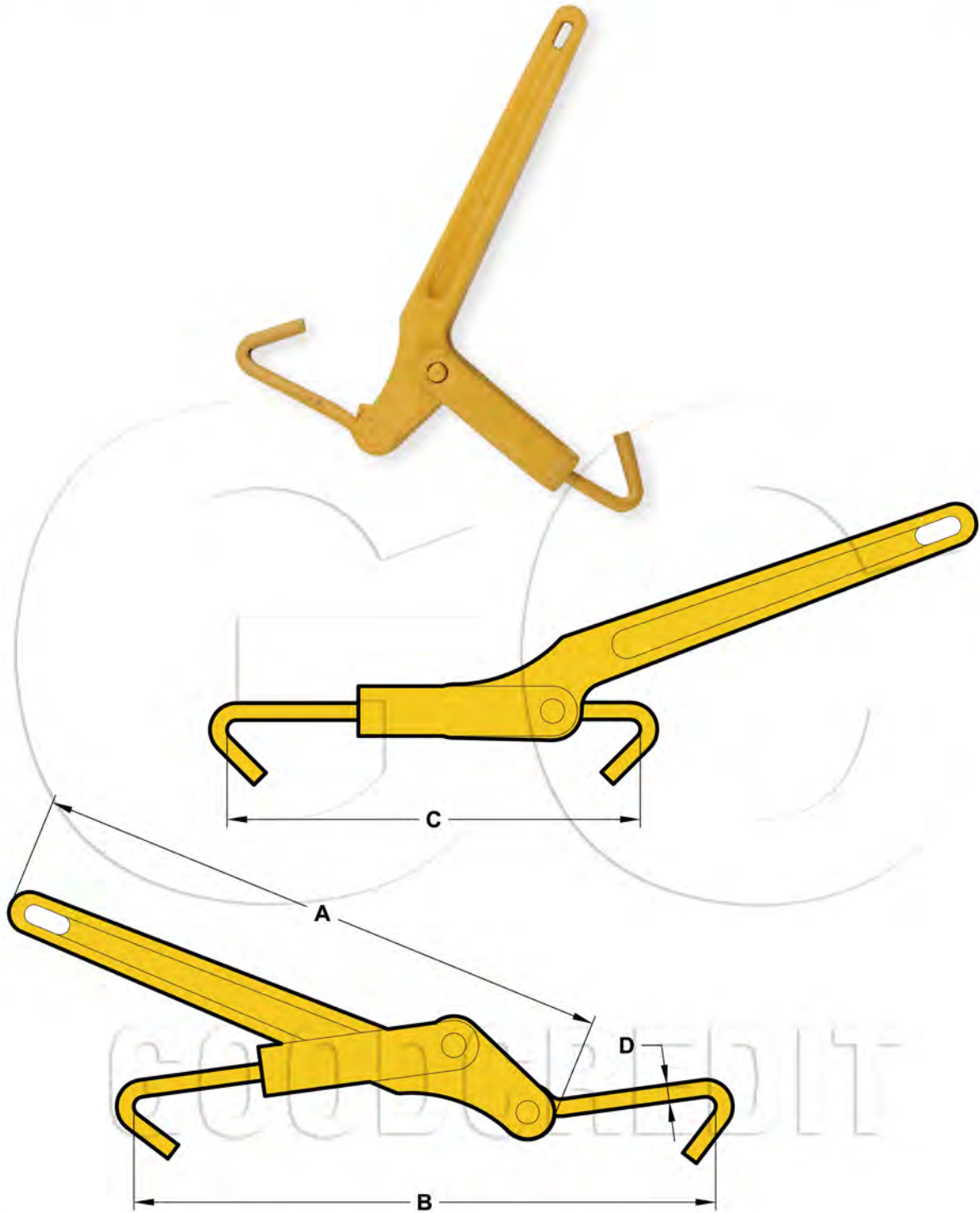


- Meets or exceeds DOT and CVSA Cargo Securement Tie-Down Guideline
- Forged-Quenched and Tempered with 100% Proof Tested
- Powder Coated or Yellow Chromate
- Material Certificates and Testing Certificates available when requested at the time of order
- Packing available with Carton Box

Size	WLL (lbs)	MBL (lbs)	Weight (lbs)	Dimensions (in)					
				A	B	C	E	F	G
5/16-3/8	5400	19000	9.46	12.99	23.94	19.76	11.30	11.22	0.50
3/8-1/2	9200	33000	14.51	19.33	28.27	23.46	12.80	12.76	0.65

⚠ WARNING Never exceed Working Load Limit

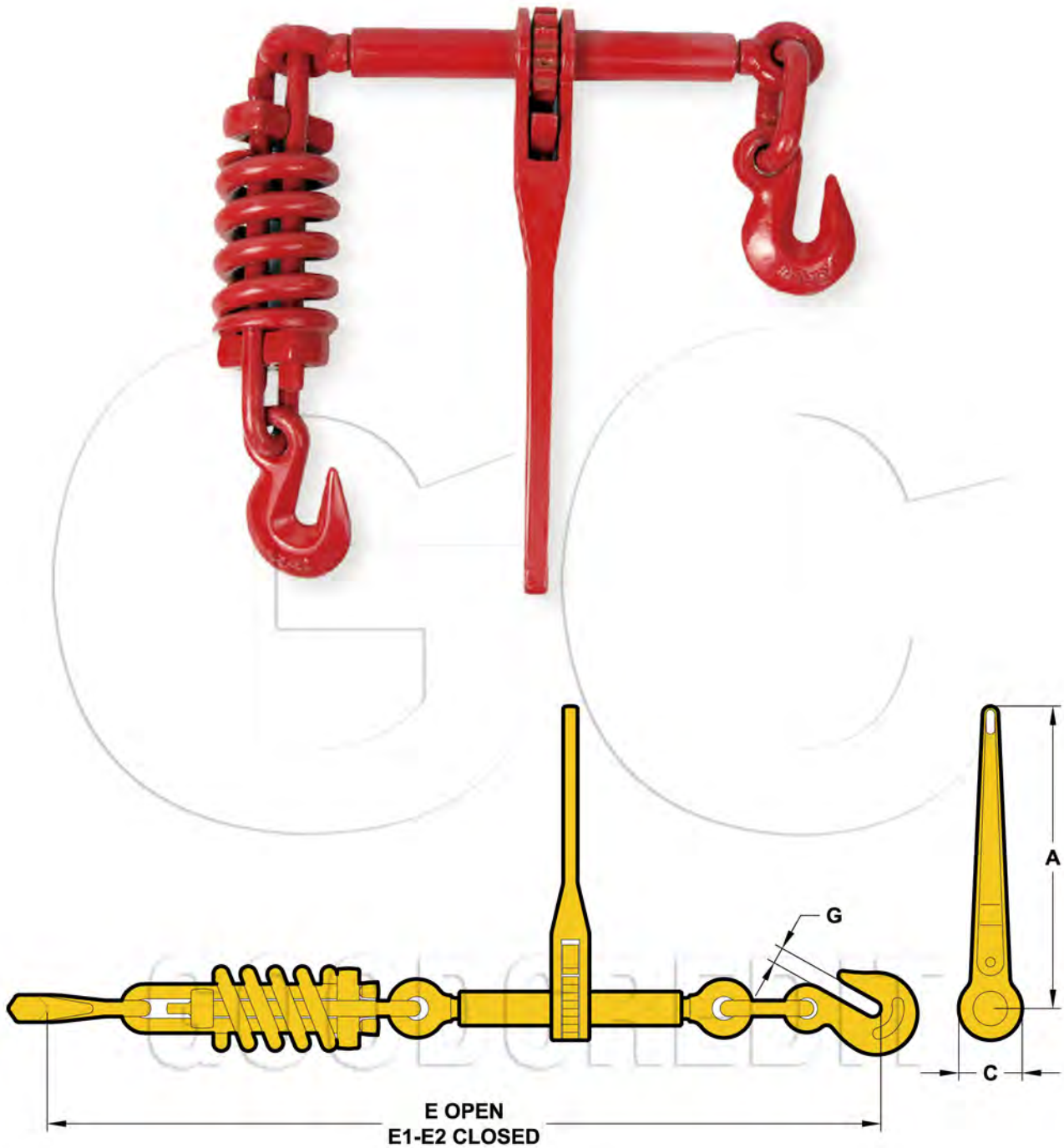
US TYPE LIGHT LEVER LOAD BINDER



- Meets or exceeds DOT and CVSA Cargo Securement Tie-Down Guideline
- Forged-Quenched and Tempered with 100% Proof Tested
- Powder Coated
- Material Certificates and Testing Certificates available when requested at the time of order
- Packing available with Carton Box

Size	WLL (kg)	MBL (kg)	Weight (kg)	Dimensions (in)			
				A	B	C	D
250	250	500	1.43	9.5	9.37	6.5	0.275
375	275	750	1.52	9.5	9.37	6.5	0394

US TYPE SPRING RATCHET LOAD BINDER

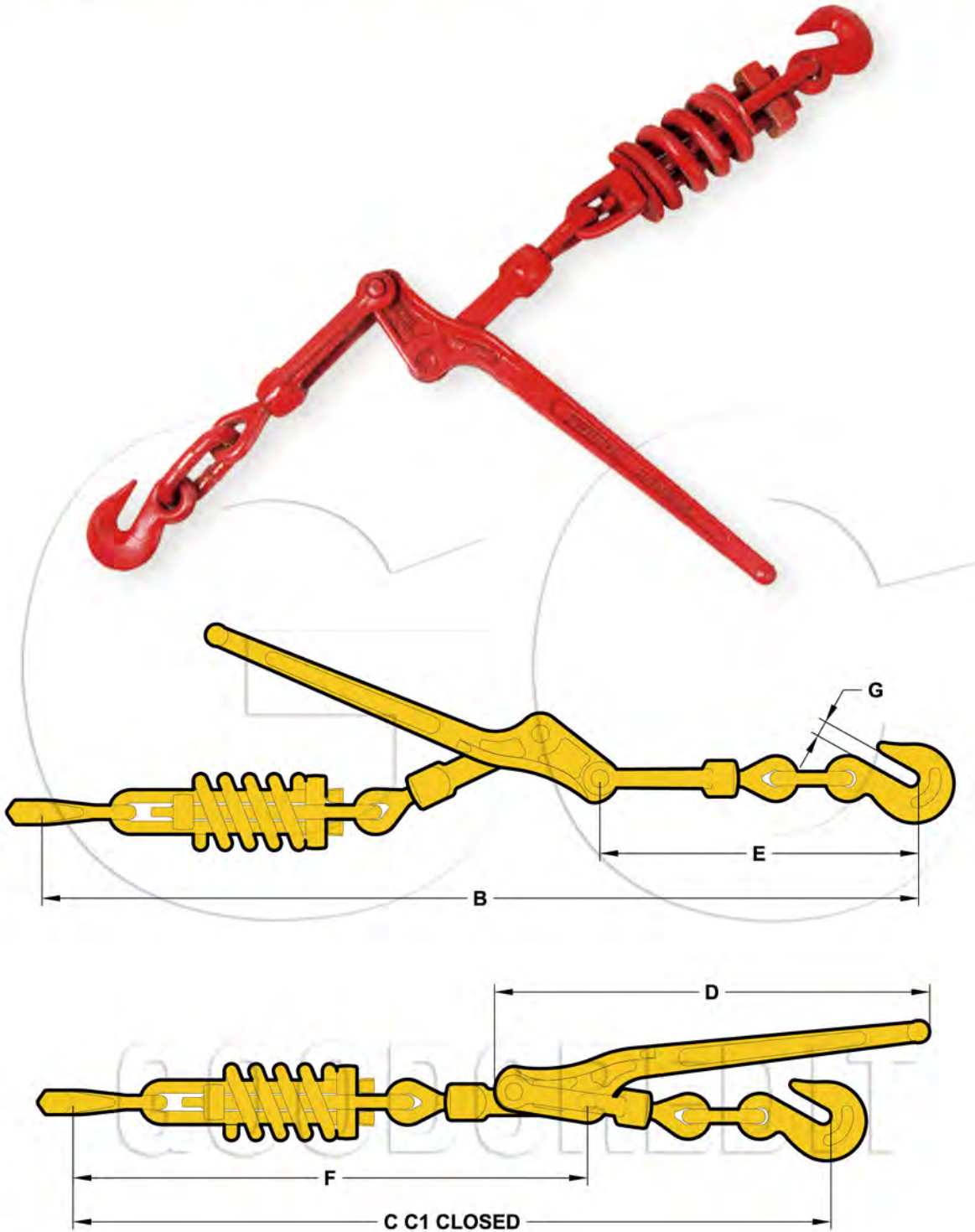


- Meets or exceeds DOT and CVSA Cargo Securement Tie-Down Guideline
- Forged-Quenched and Tempered with 100% Proof Tested
- Powder Coated or Yellow Chromate
- Material Certificates and Testing Certificates available when requested at the time of order
- Packing available with Carton Box

Size	WLL (lbs)	MBL (lbs)	Weight (lbs)	Dimensions (in)					
				A	C	E	E1	E2	G
5/16-3/8	5400	19000	18.32	13.98	2.56	30.82	37.16	38.26	0.50
3/8-1/2	9200	33000	19.2	13.98	2.56	31.61	38.11	39.21	0.65

⚠ WARNING Never exceed Working Load Limit

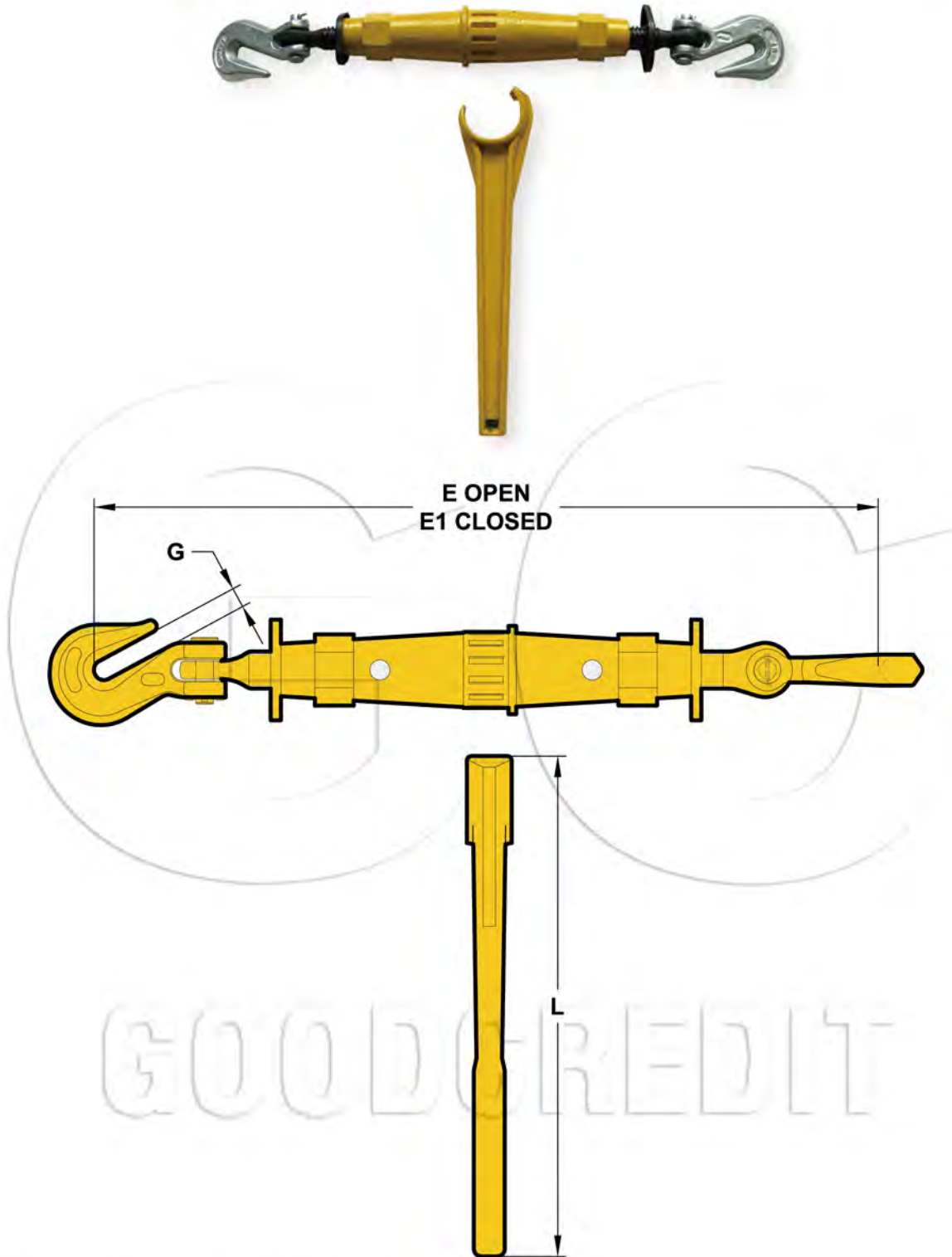
US TYPE SPRING LEVER LOAD BINDER



- Meets or exceeds DOT and CVSA Cargo Securement Tie-Down Guideline
- Forged-Quenched and Tempered with 100% Proof Tested
- Powder Coated or Yellow Chromate
- Material Certificates and Testing Certificates available when requested at the time of order
- Packing available with Carton Box

Size	WLL (lbs)	MBL (lbs)	Weight (lbs)	Dimensions (in)						
				B	C	C1	D	E	F	G
5/16-3/8	5400	19000	14.96	31.77	27.67	28.77	15.75	11.30	19.09	0.50
3/8-1/2	9200	33000	19.36	35.23	30.11	31.21	17.36	12.80	20.63	0.65

US TYPE REMOVABLE HANDLE RATCHET LOAD BINDER

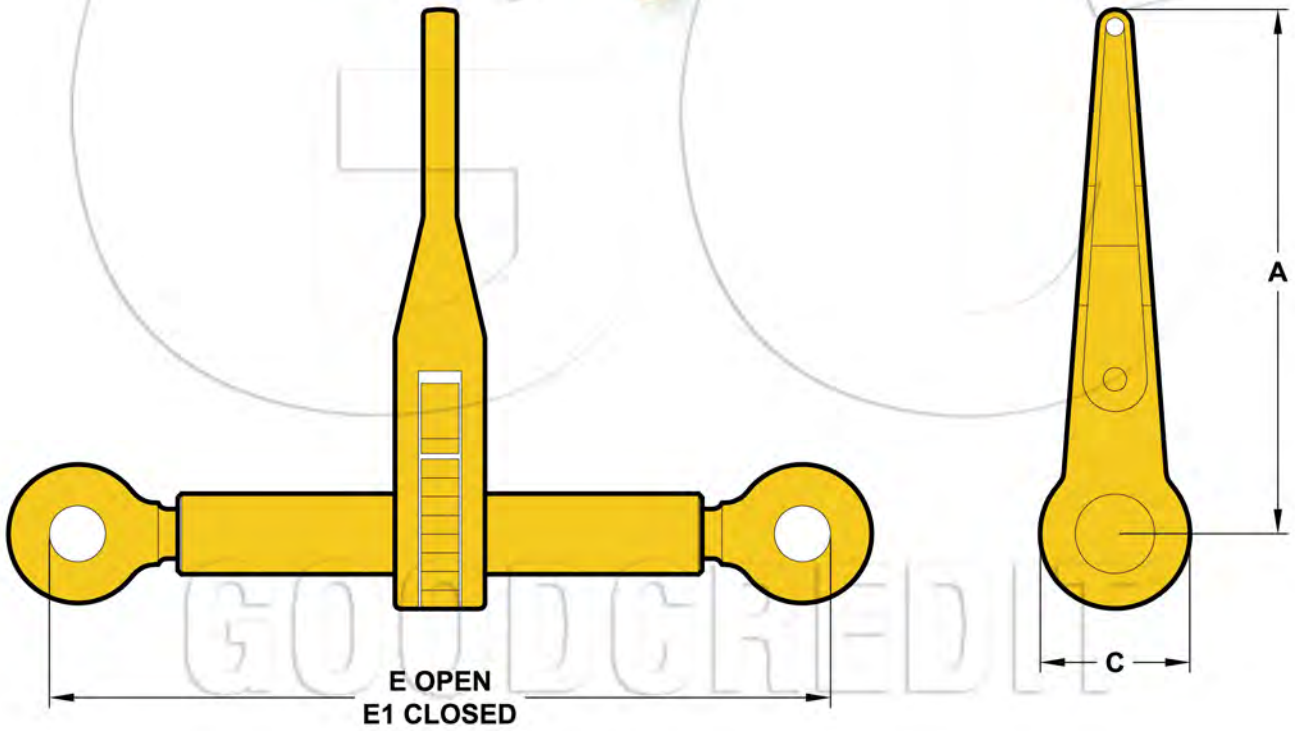


- Meets or exceeds DOT and CVSA Cargo Securement Tie-Down Guideline
- Forged-Quenched and Tempered with 100% Proof Tested
- Powder Coated or Yellow Chromate
- Material Certificates and Testing Certificates available when requested at the time of order
- Packing available with Carton Box

Size	WLL (lbs)	MBL (lbs)	Weight (lbs)	Dimensions (in)			
				L	G	E	E1
5/16-3/8	5400	19000	10.6	12.64	0.51	25.91	18.43

⚠ WARNING Never exceed Working Load Limit

EN12195-3 TYPE SHORT HANDLE RATCHET LOAD BINDER



- Meets Performance Requirements of EN12195-3
- Available with Wing Hook and Safety Pin or without Link and Hook
- Forged-Quenched and Tempered with 100% Proof Tested
- Powder Coated or Yellow Chromate
- Material Certificates and Testing Certificates available when requested at the time of order
- Packing available with Carton Box

Size	LC (kn)	BF (kn)	Weight (kg)	Dimensions (in)			
				A	C	E1	E
8mm	40	80	3.05	198	65	508	344
10mm	63	126	3.12	228	65	512	347

If you are in need of other types
not listed in our catalogue
please contact our sales department.

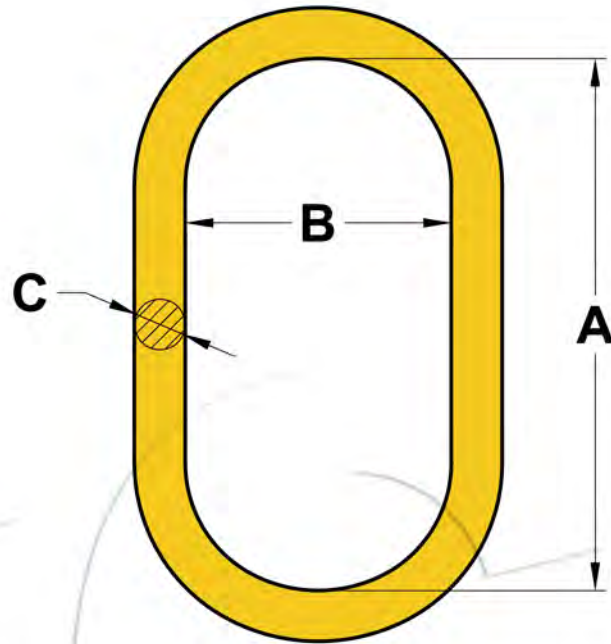


OTHER LOAD BINDER





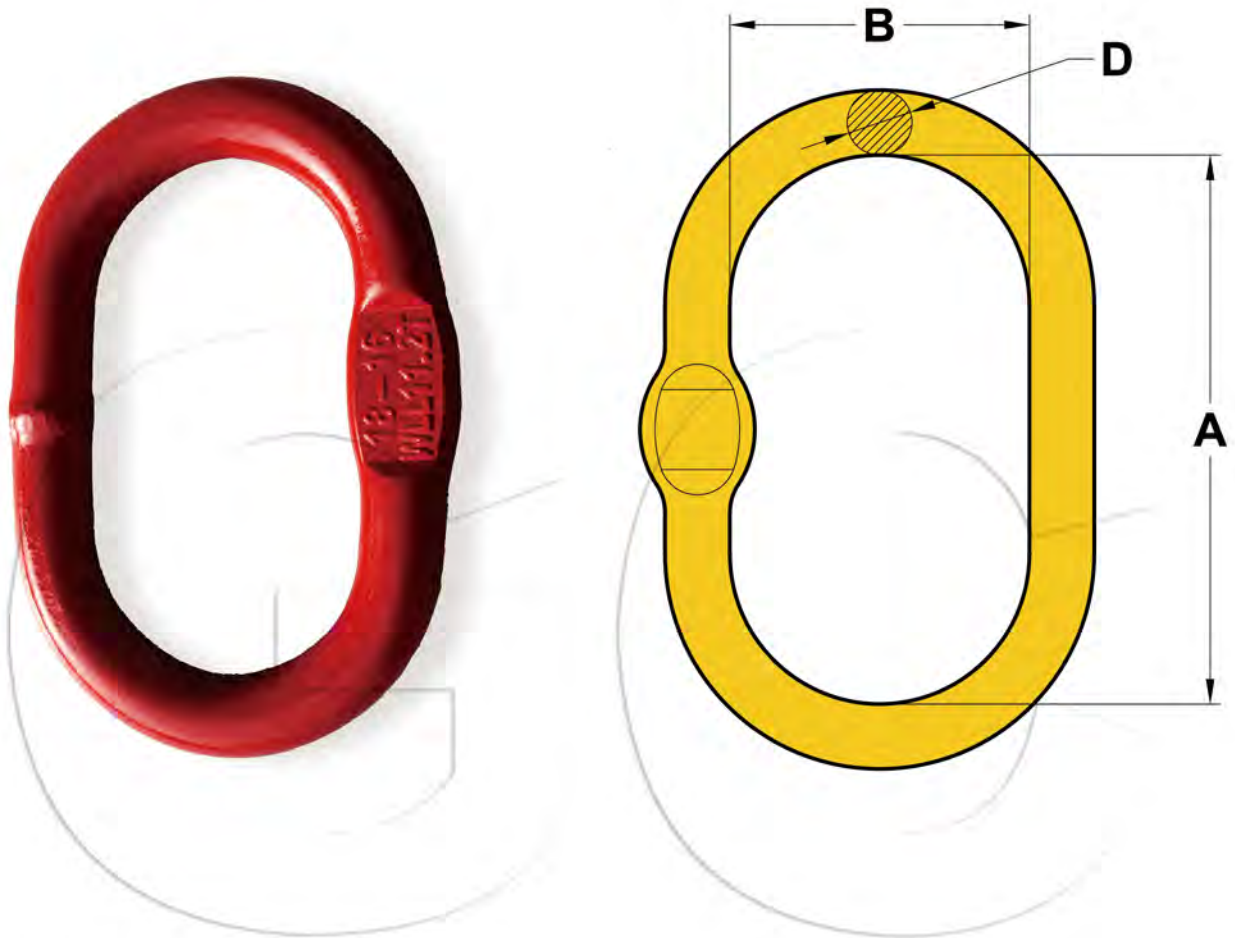
US TYPE ALLOY MASTER LINKS A342



- Available with Alloy Steel
- Forged-Quenched and Tempered
- Finish: Powder Coated
- Ultimate Load at 5 Times the Working Load Limit
- Packing available with Carton Box

Size		Weight Each (kg)	Working Load Limit (lbs.)	Proof Load (lbs.)	Dimensions (mm)		
(in.)	(mm)				A	B	C
1/2	13	0.59	7400	17200	127	63.5	13
5/8	16	0.69	9000	18000	152	76	16
3/4	19	0.91	12300	28400	140	70	19
7/8	22	1.50	15200	35200	160	89	22
1	25	2.77	26000	60000	178	90	25
1-1/4	32	5.44	39100	90400	222	111	32
1-1/2	38	7.21	61100	141200	267	135	38
1-3/4	45	11.4	84900	212250	305	152	45
2	51	16.8	102600	256500	355	178	51
2-1/4	57	24.5	143100	289200	406	203	57
2-1/2	63.5	31.1	160000	320000	406	203	63.5
2-3/4	70	42.6	216900	433800	406	241	70
3	76	52.0	228000	456000	457	228	76
3-1/4	82.5	66.0	262200	524400	508	254	82.5
3-1/2	86	91.0	279000	558000	508	254	86
3-3/4	95	90.0	336000	672000	508	254	95
4	101.6	120	373000	746000	508	305	101.6
4-1/4	108	137	354000	708000	610	305	108
4-1/2	114	156	360000	720000	711	356	114.5
4-3/4	121	198	389000	778000	711	356	121
5	127	234	395000	790000	762	356	127

EUROPEAN TYPE G80 MASTER LINK

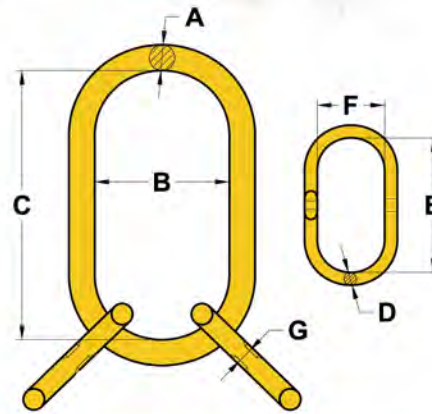


- Standard: EN1677-4 (Supersedes DIN5688-3)
- Available with Alloy Steel
- Forged-Quenched and Tempered
- Finish: Powder Coated
- Ultimate Load at 4 Times the Working Load Limit
- Packing available with Carton Box

Size	G80 EN818-2 Chain		Weight (kg)	Working Load Limit (T)	Dimensions (mm)		
	For 1 Leg (mm)	For 2 Leg (mm)			A	B	D
6-8	7	6	0.34	1.6	110	60	13
7-8	8	7	0.54	2.12	110	60	16
8-8	10	8	0.82	3.15	135	75	18
10-8	13	10	1.5	5.3	160	90	22
13-8	16	13	2.3	8	180	100	26
16-8	18	16	3.95	11.2	200	110	32
18-8	20	18	6.34	14	260	140	36
20-8	22	20	8.96	17	300	160	40
22-8	26	22	12.8	21.2	340	180	45
26-8	32	26	16.55	31.5	350	190	50
32-8	36	32	23.28	45	400	200	56
36-8	40	36	32	56	430	220	63
40-8	45	40	45.76	63	460	250	72
45-8	-	45	62	85.46	500	270	80

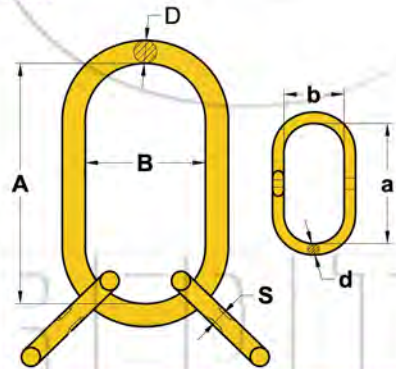
⚠ WARNING Never exceed Working Load Limit

US TYPE MASTER LINK ASSEMBLY A345



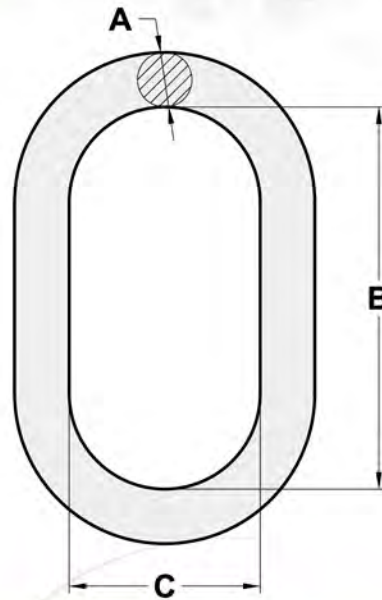
Size		Weight Each (kg)	Working Load Limit Based on 5:1 Design Factor (lbs.)	Proof Load (lbs.)	Dimensions (in.)						
(in.)	(mm)				A	B	C	D	E	F	G
3/4	19	1.59	12300	28400	0.73	3.20	6.00	0.56	3.35	1.77	0.30
7/8	22	2.18	15200	35200	0.88	3.75	6.38	0.56	3.35	1.77	0.30
1	26	4.22	26000	60000	1.10	4.30	7.50	0.75	3.94	2.36	0.33
1-1/4	32	7.17	39100	90400	1.33	5.50	9.50	1.00	6.30	3.54	0.51
1-1/2	38	15.47	61000	141200	1.61	5.90	10.50	1.25	7.09	3.94	0.65
1-3/4	44	20.9	84900	212250	1.75	6.00	12.00	1.38	8.00	5.00	0.73
2	51	30.4	102600	256500	2.00	7.00	14.00	1.50	9.00	5.75	-
2-1/2	64	93.4	160000	320000	2.50	8.38	16.00	2.50	16.00	8.38	-
2-3/4	70	128	216900	433800	2.75	9.88	18.00	2.75	18.00	9.88	-
4	102	303	373000	746000	4.00	12.00	24.00	3.50	24.00	12.00	-

EUROPEAN TYPE G80 MASTER LINK ASSEMBLY



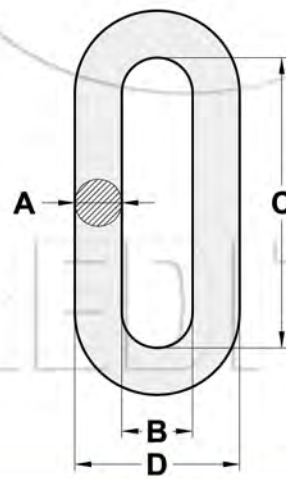
Size	G80 EN818-2 Chain For 3 or 4 Leg Sling (mm)	Weight (kg)	Working Load Limit (T)	Dimensions (mm)					
				A	B	D	a	b	d
6-8	6	1.18	2.36	135	75	18	54	25	13
7-8	7	1.24	3.15	135	75	18	60	38	13
8-8	8	2.2	4.25	160	90	22	70	34	16
10-8	10	3.4	6.7	180	100	26	85	40	18
13-8	13	6.1	11.2	200	110	32	115	50	22
16-8	16	9.98	17	260	140	36	140	65	26
18-8	18	18.9	21.2	340	180	45	180	100	32
20-8	20	22.6	26.5	350	190	50	180	100	32
22-8	22	25.2	31.5	350	190	50	180	100	36
26-8	26	35.2	45	400	200	56	180	100	40
28-8	28	47	50	430	220	63	180	100	45
32-8	32	66.46	63	460	250	72	200	110	50

FORGED STAINLESS STEEL MASTER LINK



Size (in.)	Working Load Limit (lbs.)	Weight Each (lbs.)	Dimensions (in.)		
			A	B	C
3/8	1500	0.35	3/8	3.00	1.50
1/2	2000	0.84	1/2	5.00	2.50
5/8	2800	1.61	5/8	6.00	3.00
3/4	3750	2.26	3/4	6.50	3.25
1	8000	4.94	1	7.00	3.50
1-1/4	11800	9.55	1-1/4	8.75	4.38

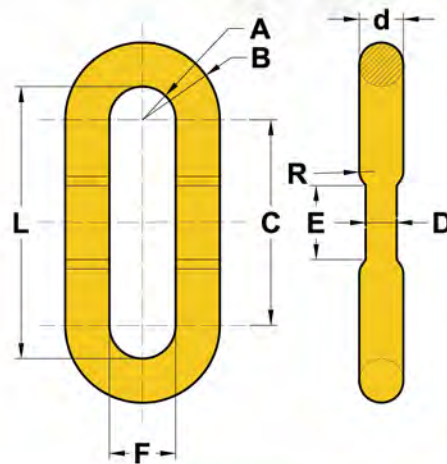
WLEDLESS END LINKS



Size (in.)	Working Load Limit (lbs.)	Weight Each (lbs.)	Dimensions (in.)			
			A	B	C	D
5/16	2500	0.15	0.31	0.50	1.75	1.18
3/8	3800	0.22	0.38	0.56	1.88	1.38
1/2	6500	0.49	0.50	0.75	2.38	1.81
5/8	9300	0.97	0.63	1.00	3.25	2.32
3/4	14000	1.51	0.75	1.13	3.50	2.68
7/8	12000	2.59	0.88	2.00	5.13	3.75
1	15200	3.95	1	2.25	5.75	4.25
1-1/4	26400	7.30	1.25	2.50	7.00	5.00
1-3/8	30000	10.38	1.38	2.75	7.75	5.50

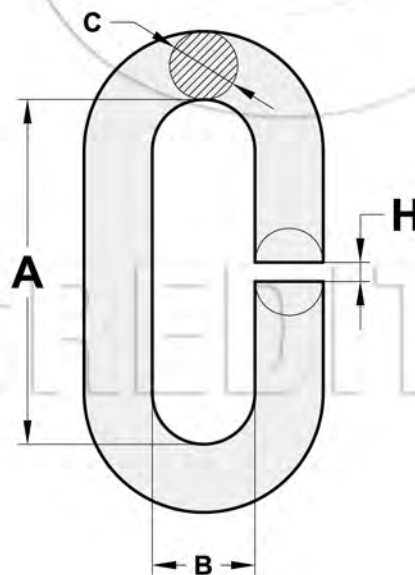
WARNING Never exceed Working Load Limit

ALLOY FORGED LINK



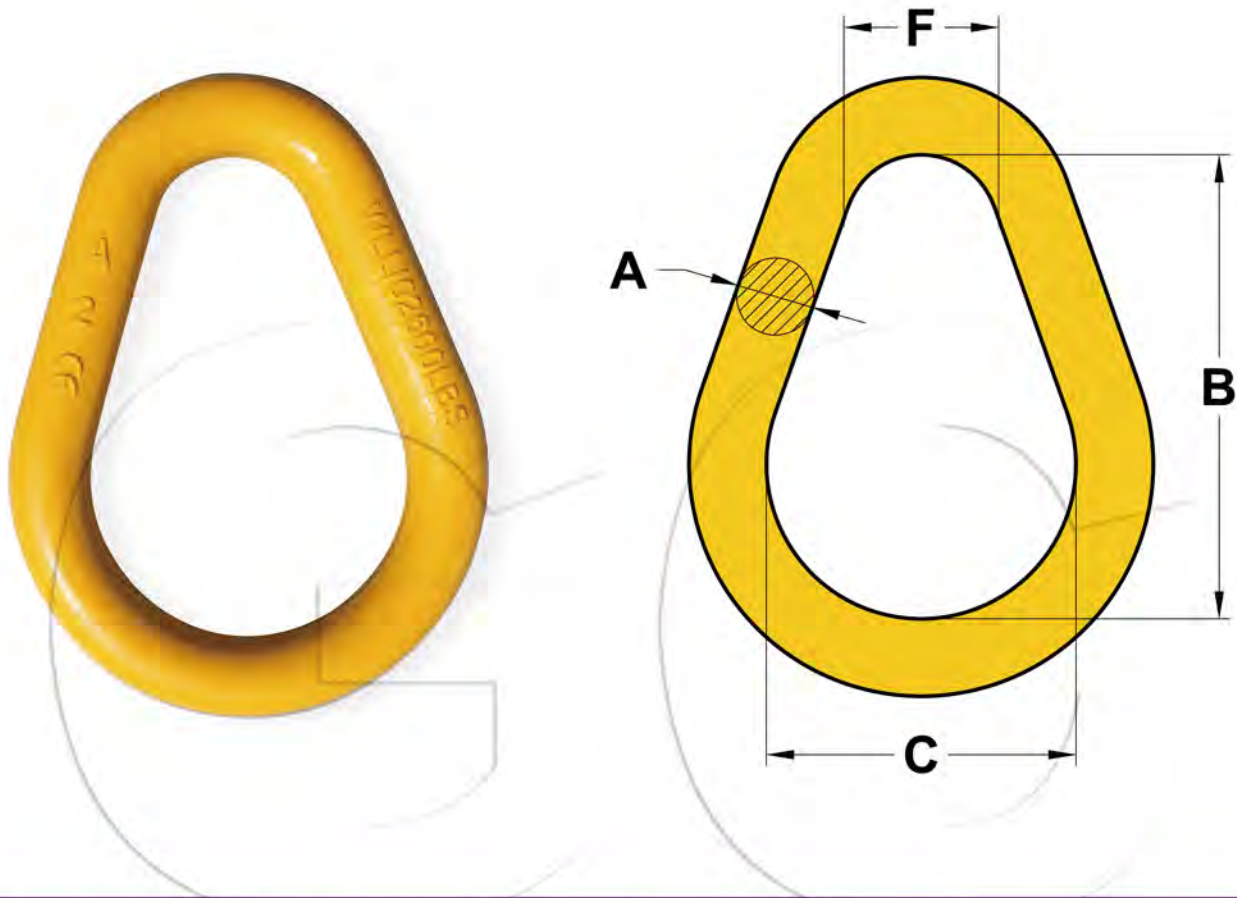
Size	Weight Each (kg)	Working Load Limit (T)	Dimensions (mm)								
			B	A	C	D	E	d	R	F	L
20T	4.2	20	76.5	42.5	100	25	36	34	3	85	185
15T	2.8	15	67.5	37.5	95	17	32	30	2.5	75	170
12T	1.7	12	49	24	74	16	28	25	2	48	122
10T	0.82	10	40.25	18.75	63.5	14	22.6	21	1.5	37.5	101
5.6T	2.1	5.6	58	30	90	21	32	28	1.5	60	150
4.4T	1.5	4.4	50	25	80	18	30	25	1.5	50	130
3.2T	0.9	3.2	42.5	22.5	65	14	30	20	1.5	45	110
3T	0.8	3	39	19	64	13	30	20	1.5	38	102
1.5T	0.4	1.5	33.5	17.5	80	12	28	16	1.5	35	85
1T	0.2	1	27	15	40.25	10	25	12	1.5	30	70

OPENING LINK, ELSE RIGGING



Size	Weight Each (kg)	Working Load Limit (t)	Breaking Load Limit (t)	A ± 3.5	B ± 2	H ± 1	Φ ± 1
10	0.09	0.2	1	50	16	2	10
12	0.15	0.4	2	55	18	2	12
14	0.23	0.6	3	60	18	2	14
16	0.35	0.7	3.5	72	21	2	16
19	0.55	1.4	7	80	24	2	19
22	0.83	1.8	9	88	27	3	22
22B	0.75	1.8	9	80	30	3	22
25	1.18	2.2	11	94	35	3	25

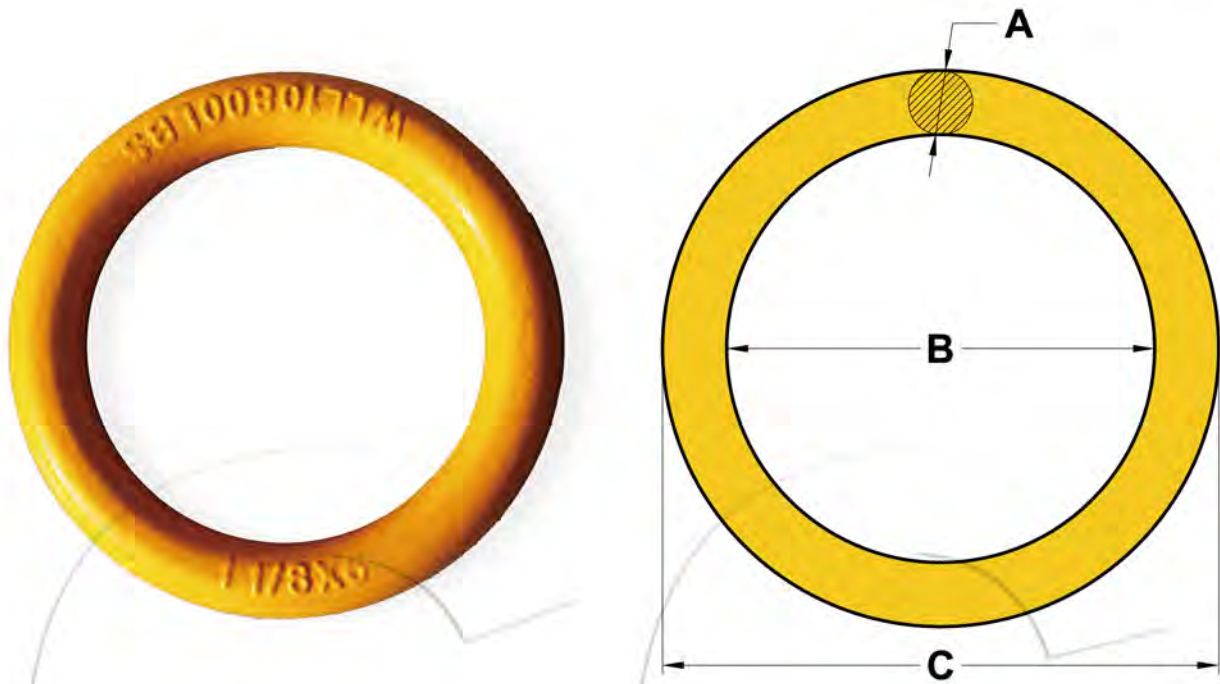
US TYPE FORGED PEAR SHAPED LINK



Size (A) (in.)	Working Load Limit			Weight Each (lbs.)	Dimensions (in.)		
	Carbon (lbs.)	Alloy (lbs.)	Alloy (T)		B	C	F
1/2	2900	7000	3.15	0.55	3.00	2.00	1.00
5/8	4200	9000	4.09	1.10	3.75	2.50	1.25
3/4	6000	12300	5.59	1.76	4.50	3.00	1.50
7/8	8300	15000	6.81	2.82	5.25	3.50	1.75
1	10800	24360	11.0	4.22	6.00	4.00	2.00
1-1/8	13800	30600	13.9	6.25	6.50	4.50	2.25
1-1/4	16750	36000	16.4	8.25	7.75	5.00	2.50
1-3/8	20500	43000	19.5	11.25	8.25	5.50	2.75
1-1/2	-	54300	24.7	14.25	9.00	6.00	3.00
1-5/8	-	62600	28.4	18.50	9.75	6.50	3.25
1-3/4	-	84900	38.6	22.50	10.50	7.00	3.50
1-7/8	-	95800	43.5	29.00	11.25	7.50	3.75
2	-	102600	46.6	34.00	12.00	8.00	4.00
2-1/4	-	143100	65.0	48.00	13.50	9.00	4.50
2-1/2	-	147300	66.9	66.00	15.00	10.00	5.00
2-3/4	-	216900	98.6	88.00	16.50	11.00	5.50
3	-	228000	103	114.00	18.00	12.00	6.00
3-1/4	-	262000	119	146.00	19.50	13.00	6.50
3-1/2	-	279000	126	181.00	21.00	14.00	7.00
4	-	373000	169	271.00	24.00	16.00	8.00

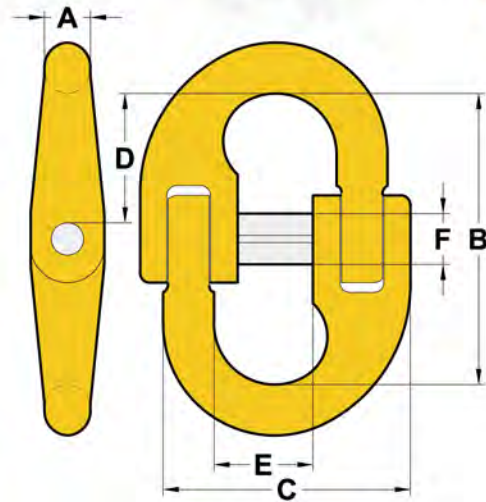
⚠ WARNING Never exceed Working Load Limit

US TYPE FORGED WELDLESS ROUND RING



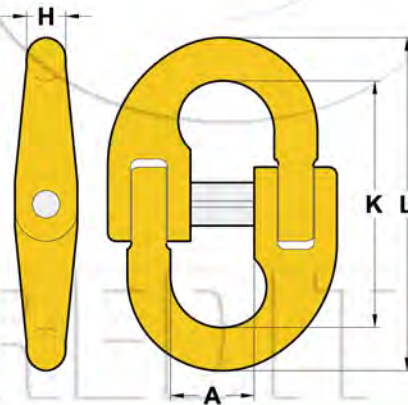
Size (in.)	Working Load Limit (lbs.)	Weight Each (lbs.)	Dimensions (in.)		
			A	B	C
3/8 x 2	2200	0.23	3/8	2	2 3/4
3/8 x 2 1/4	2200	0.26	3/8	2 1/4	3
3/8 x 3 1/2	2200	0.37	3/8	3 1/2	4 1/4
1/2 x 2	2200	0.44	1/2	2	3
1/2 x 3	2200	0.62	1/2	3	4
1/2 x 3 1/2	2200	0.71	1/2	3 1/2	4 1/2
5/8 x 2 1/2	3300	0.86	5/8	2 1/2	3 3/4
5/8 x 3	3300	1.00	5/8	3	4 1/4
5/8 x 3 5/16	3300	1.08	5/8	3 5/16	4 9/16
5/8 x 4	3300	1.28	5/8	4	5 1/4
3/4 x 3	3700	1.63	3/4	3	4 1/2
3/4 x 3 1/2	3700	1.68	3/4	3 1/2	5
3/4 x 4	3700	1.89	3/4	4	5 1/2
7/8 x 3 1/2	7200	2.34	7/8	3 1/2	5 1/4
7/8 x 4	7200	2.70	7/8	4	5 3/4
7/8 x 5 1/2	7200	3.47	7/8	5 1/2	7 1/4
1 x 4	10400	3.69	1	4	6
1 x 5 1/2	10400	4.54	1	5 1/2	7 1/2
1 x 6	10400	4.85	1	6	8
1 1/8 x 6	10400	6.60	1 1/8	6	8 1/4
1 1/4 x 5	17000	7.00	1 1/4	5	7 1/2
1 1/4 x 5 1/2	17000	7.41	1 1/4	5 1/2	8
1 1/4 x 6	17000	7.94	1 1/4	6	8 1/2
1 3/8 x 6	19000	10.63	1 3/8	6	8 3/4
1 1/2 x 8	22000	14.95	1 1/2	8	11
1 1/2 x 10	22000	18.08	1 1/2	10	13
2 x 12	25000	39.16	2	12	16

U.S. TYPE G80 CONNECTING LINK



Chain Size		Working Load Limit (lbs.)	Weight Each (lbs.)	Dimensions (mm)					
(in.)	(mm)			A	B	C	D	E	F
1/4	7	4300	0.26	0.38	1.94	1.90	0.81	0.69	0.57
5/16	8	5700	0.35	0.37	2.35	2.07	0.99	0.72	0.64
3/8	10	8800	0.75	0.48	2.70	2.47	1.12	0.90	0.78
1/2	13	15000	1.60	0.68	3.45	3.31	1.44	1.12	0.97
5/8	16	22600	2.68	0.81	4.13	3.90	1.72	1.35	1.14
3/4	20	35300	5.00	0.93	4.62	4.62	2.03	1.62	1.28
7/8	22	42700	7.50	1.06	5.46	5.46	2.27	2.00	1.49
1	25	59700	11.03	1.22	5.98	6.13	2.44	2.25	1.76
1-1/4	32	90400	20.38	1.50	7.43	7.59	3.07	2.56	2.23

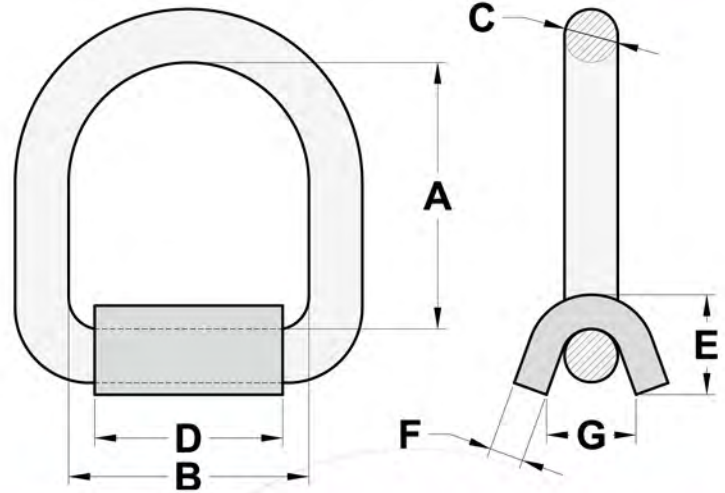
WLEDLESS END LINKS



Size (in.)	Working Load Limit (T)	Breaking Load (T)	Weight Each (kg)	Dimensions (mm)			
				A±1.5	L±2.5	K±2	H±1
6-8	1.12	4.48	0.08	15	58	42	7
7-8	1.5	6	0.145	19	71.8	54.8	8.5
7/8-8	2	8	0.146	18	79.5	60.5	8.5
8-8	2	8	0.16	19.5	79.5	60.5	8.5
10-8	3.15	12.6	0.30	25	90.5	68	11.5
13-8	5.3	21.2	0.65	29	117	87	15
16-8	8	32	1.15	34.5	148	108.4	19.8
18-8	10	40	1.84	38	154	112	21
20-8	12.5	50	2.1	41	169.5	121.5	24
22-8	15	60	2.87	48	193.5	141.5	26
26-8	21.2	84.8	4.5	57.5	220	158	30
32-8	31.5	126	8.21	67	281	205	37

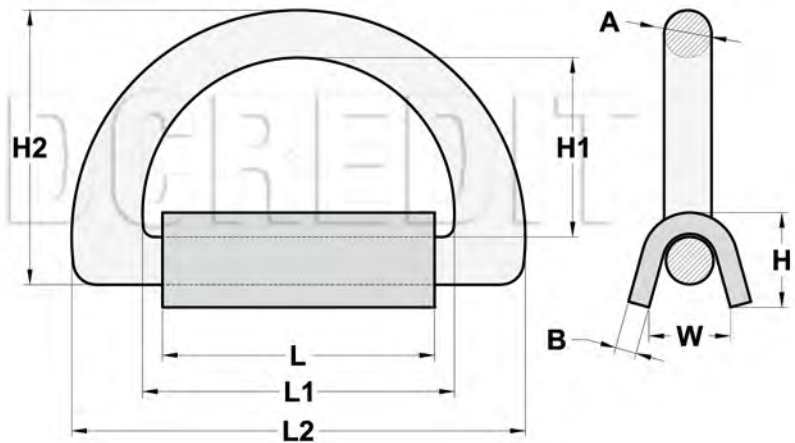
WARNING Never exceed Working Load Limit

D RING WITH STRAP, TYPE A



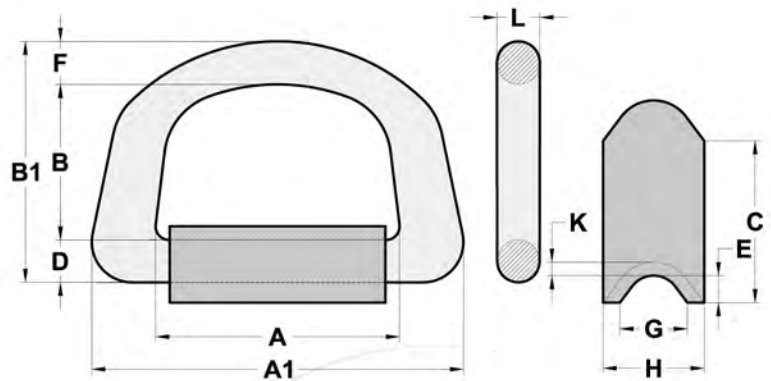
Size (in.)	Minimum Breaking Strength (lbs.)	Weight Each (lbs.)	Dimensions (mm)						
			A	B	C	D	E	F	G
3/8	3000	0.81	51	68	9.5	51	20	6	15
1/2	12000	0.94	63.5	57.1	13	45	25	8	33
5/8	18000	1.87	75	75	16	63.5	31	9.5	37
3/4	26500	2.70	75	75	19	63.5	35	9.5	40
1	47000	4.21	75	75	25	63.5	41	9.5	63
1	47000	4.74	100	75	25	63.5	41	9.5	63

D RING WITH STRAP, TYPE B



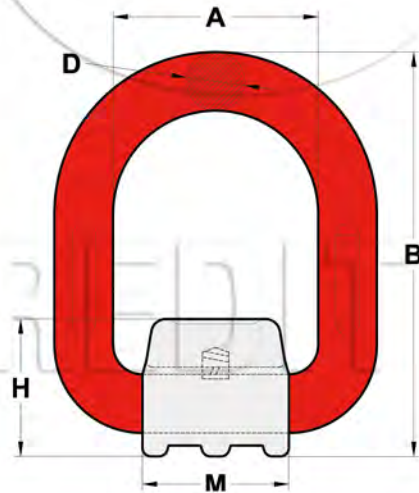
Size	Working Load Limit (T)	Proof Test (T)	Minimum Breaking Strength (T)	Weight Each (lbs.)	Dimensions (mm)								
					L	L1 (±1)	L2	H1 (±1)	H2	H	B	W	A
20T	5	7.5	20	2.21	90	120	170	70	102	30	10	42	16
36T	9	13.5	36	5.42	120	136	212	80	122	35	10	42	21
41T	10.5	15.4	41	8.15	125	144	225	88	138	43	12	62	25
50T	18.75	18.75	50	9.71	130	151	241	90	144	48	14	65	27

D RING WITH STRAP, TYPE C



Size	Minimum Breaking Strength (T)	Weight Each (kg)	Dimensions (mm)											
			A	A1	B	B1	D	F	C	E	K	G	H	L
MBS7T	7	0.5370	65.5	123.1	51.1	76.1	12.7	12.3	50	16.2	5.9	32.2	42	12.5
MBS36T	36	2.5330	121	191.4	81	128.4	23.8	23.8	102	27	11.3	48.12	67	22.5
MBS41T	41	3.4040	126.5	202	92.8	144	25.9	25.3	102	31.8	13.5	63	82.5	25
MBS50T	50	4.1190	127	223	102	155	27.2	26.5	102	31	13.5	63	83	26.5

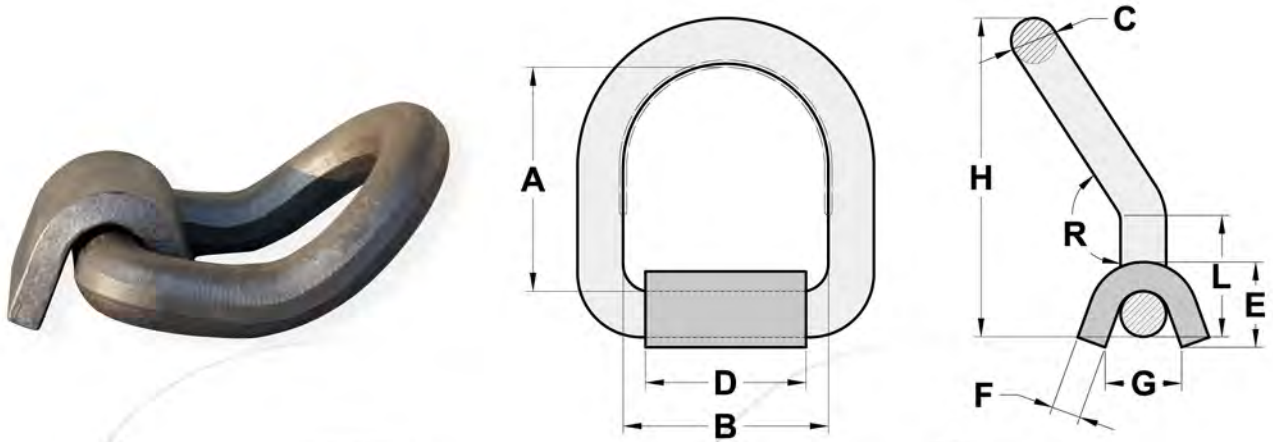
G80 WELD ON POVOTING D LINK



Size	Weight Each (kg)	Working Load Limit (T)	Breaking Load (T)	Dimensions (mm)				
				A±1	B±2	D±1	M±1.2	H±0.3
1.12T	0.40	1.12	4.48	41	78.5	13	37	35
2T	0.47	2.00	8.00	42	88	14	40	37
3.15T	0.69	3.15	12.80	45	94	17	42.5	40
5.3T	1.46	5.30	21.20	55	118	22	61	52
8T	2.50	8.00	32.00	70	141	26.5	70.5	57
10T	3.59	10.00	40.00	85	165	28	78	63.5
15T	5.79	15.00	60.00	97	188	34	90	77
20T	15.5	20.00	80.00	150	250	46	130	98

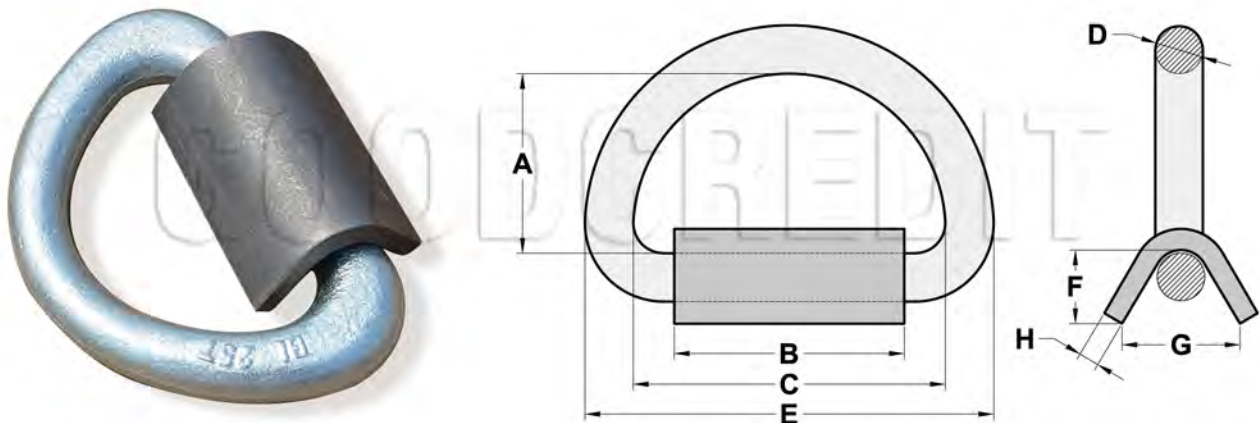
⚠ WARNING Never exceed Working Load Limit

D RING WITH STRAP & BEND



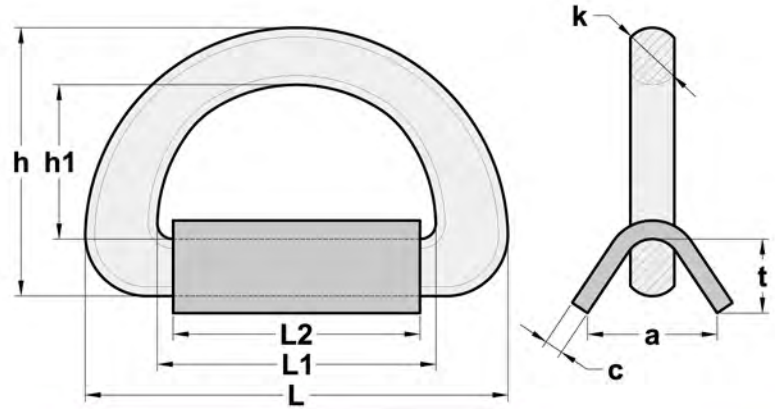
Size (in.)	Minimum Breaking Strength (lbs.)	Weight Each (lbs.)	Dimensions (mm)									
			A	B	C	D	E	F	G	H	L	R
1	47000	4.21	75	75	25	63.5	41	9.5	63	125	80	135°
1	47000	4.74	100	75	25	63.5	41	9.5	63	150	80	135°

D RING WITH STRAP, JIS TYPE



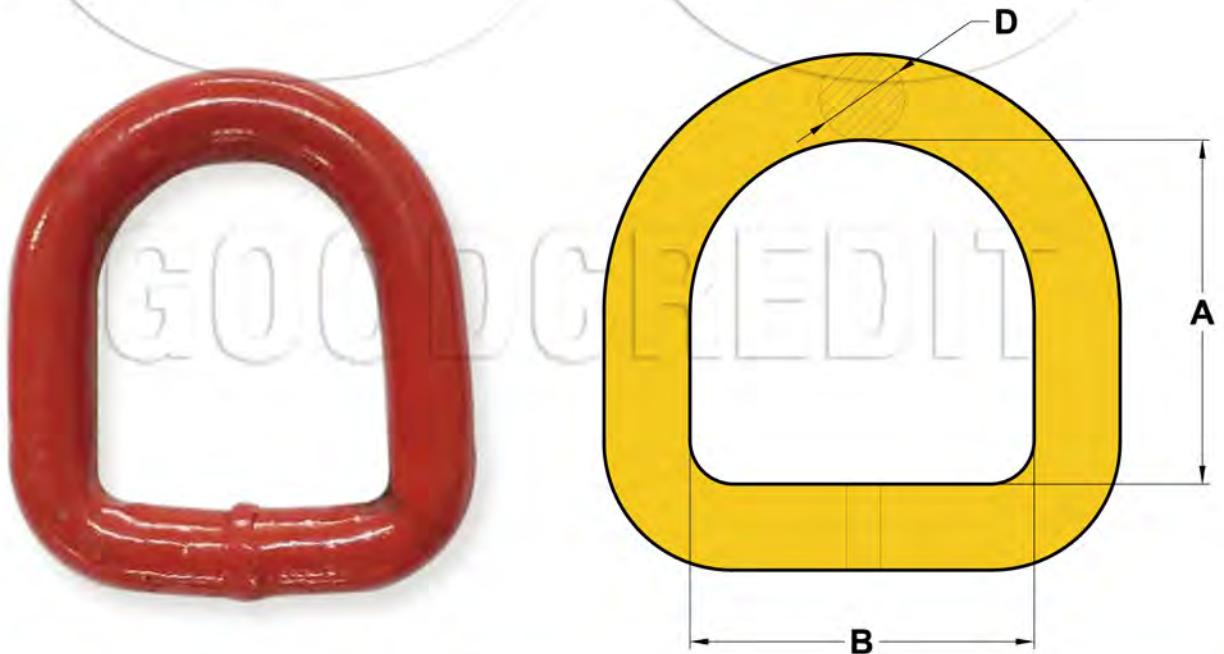
Size	Weight Each (kg)	Dimensions (mm)							
		A	B	C	D	E	F	G	H
5T	1.09	52	71	97	19	135	23	55	9.5
25T	1.54	69	83	114	20	162	28	45	9.5
36T	2.58	78	118	132	24	201	28	38	12
41T	3.7	86	126	141	25	221	34	40	14
50T	4.2	88	126	148	26	233	34	40	14

D RING WITH STRAP, TYPE B



Size	Dimensions (mm)								
	h	h1	L	L1	L2	a	k	t	c
20T	87	50	137	90	80	42	18	24	10
25T	109	69	170	112	90	48	20	25	10
30T	102	58	144	88	80	42	21	24	10
36T	112	66.5	165	100	90	50	24	35	12
36T	124	76	208	130	120	45	23	30	12
41T	137	87	225	143	120	50	26	48	12
50T	140	86	227	137	120	50	27	48	12

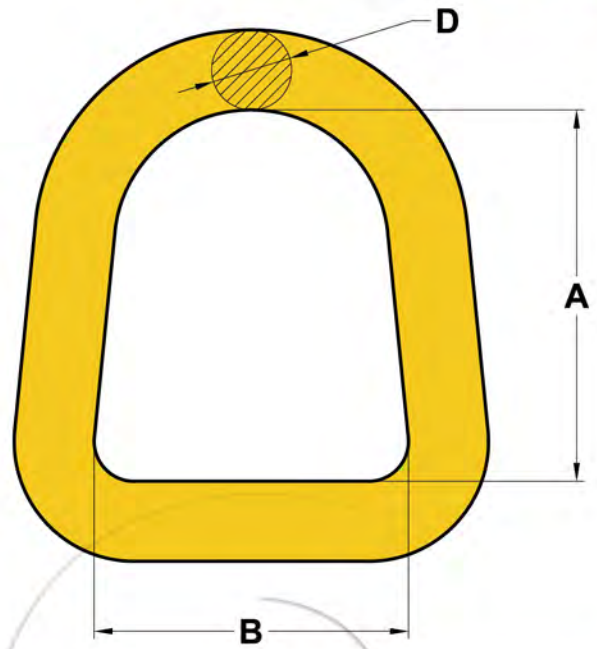
G80 WELDED D RING



Size	Weight Each (kg)	Working Load Limit (t)	Breaking Load Limit (t)	A ± 1.5	B ± 1.5	D ± 1
2.5T	0.3	2.5	10	65	55	14
4T	0.5	4	16	62	64	17
6.5T	0.7	6.5	26	80	72	19
8T	1.0	8.0	32	90	76	22

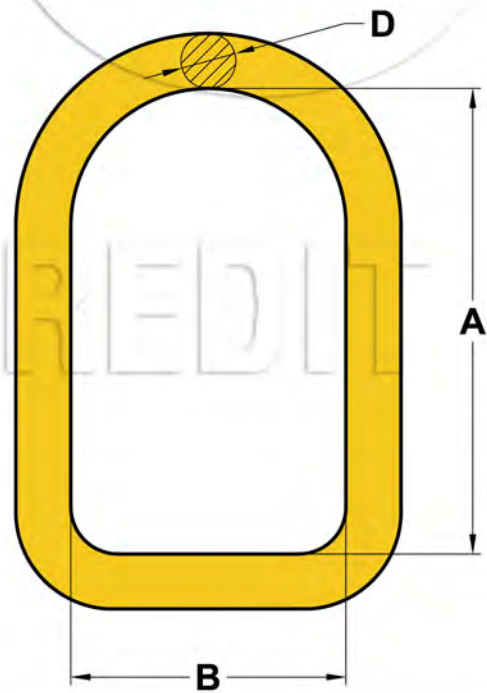
⚠ WARNING Never exceed Working Load Limit

G80 FORGED D RING



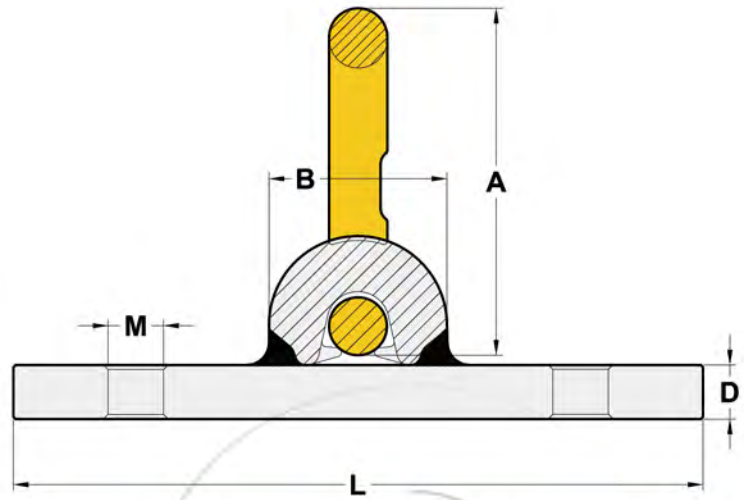
Size	Weight Each (kg)	Working Load Limit (t)	Breaking Load Limit (t)	A ± 1.5	B ± 1.5	D ± 1
2.5T	0.3	2.5	10	65	55	14
4T	0.48	4	16	62	64	17
6.5T	0.71	6.5	26	80	72	19
8T	1.0	8.0	32	90	76	22

ALLOY D RING FOR WEB SLING



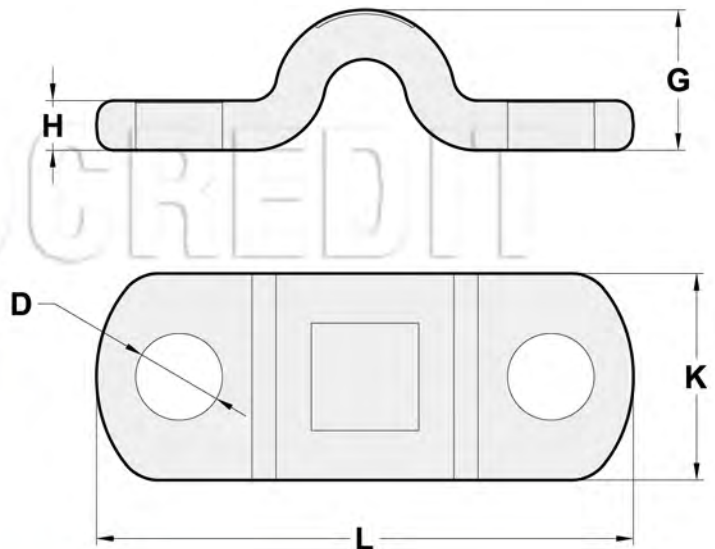
Size	Weight Each (kg)	Working Load Limit (t)	Breaking Load Limit (t)	A ± 2	B ± 1.5	D ± 1
1T	0.37	1	4	110	65	13
2T	0.64	2	8	130	65	16
3T	0.99	3	12	140	110	18
4T	1.56	4	16	135	130	22

G80 WELD ON POVOTING D LINK WITH PAD



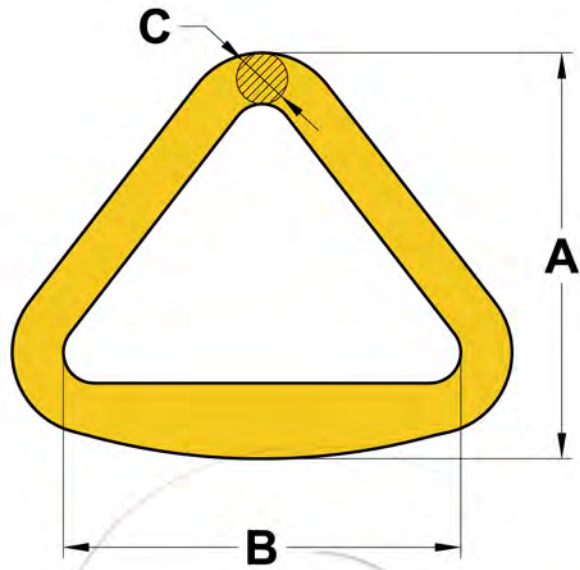
Size	Weight Each (kg)	Working Load Limit (t)	Breaking Load Limit (t)	A ± 0.5	B	D ± 0.5	M ± 0.2	L ± 2
1T	1.09	1	4	78	40	12	12.5	61
2T	1.24	2	8	80.5	40	14	14.5	155
3T	1.56	3	12	94	46.5	16	16.5	155
5T	2.585	5	20	118	60	20	22.5	180
8T	4.92	8	32	141	63	26	26.5	220

G80 FORGED LIFTING PAD



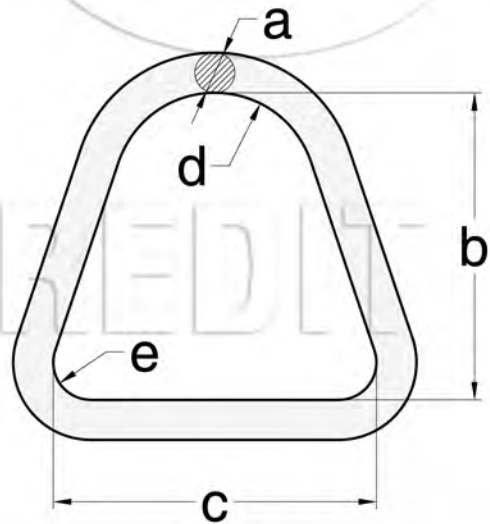
Size	Weight Each (kg)	Working Load Limit (t)	Breaking Load Limit (t)	H ± 0.5	G ± 1	K ± 1	D ± 0.5	L ± 2
3T	0.6	3	12	12	34	50	21	130
5T	1.15	5	20	15	42	60	25	160
8T	2.6	8	32	20	55	109	28	190

ALLOY FORGED TRIANGLE RING



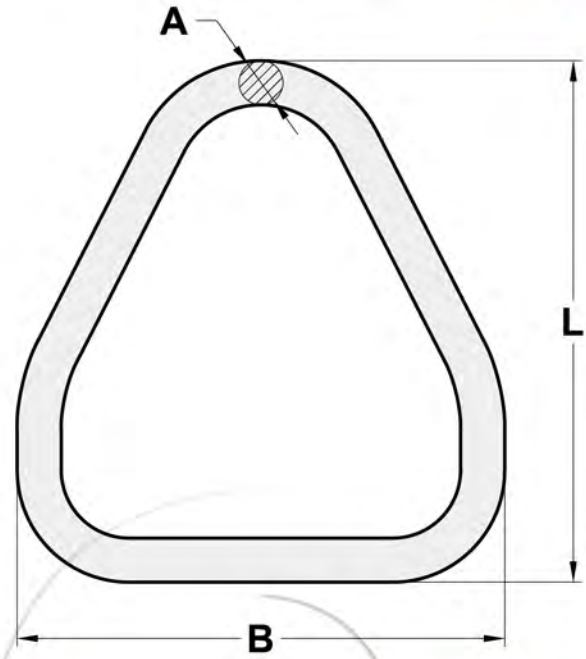
Size (in.)	Working Load Limit (lbs.)	Minimum Breaking Strength (lbs.)	Weight Each (kg)	Dimensions (mm)		
				A	B	C
2	2750	11000	0.44	80.3	56	12
3	4500	18000	0.79	109.4	80	14
4	5000	20000	1.37	142.0	108	16

TRIANGULAR LINK B.S. 2837-TABLE 1-1988



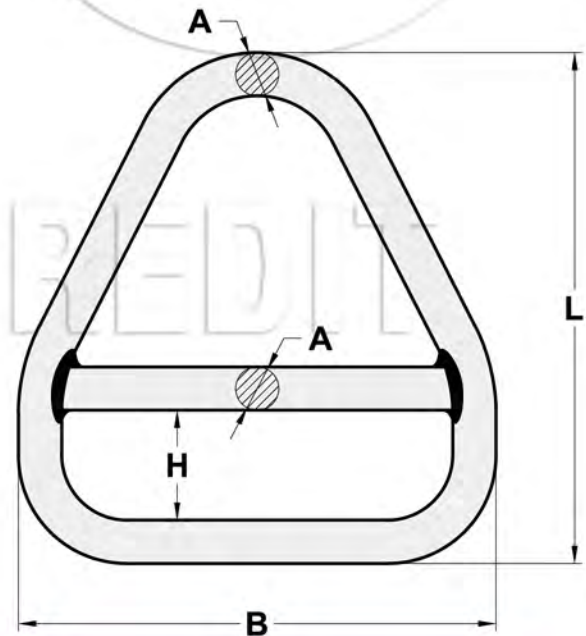
Class	Weight Each (kg)	Safe Working Load (T)	Minimum Breaking Load (T)	Dimensions (mm)				
				a	b	c	d	e
A	0.15	0.32	1.6	10	67	67	25	8
B	0.26	0.50	2.5	12	67	67	25	8
C	0.35	0.80	4.0	14	67	67	25	8
D	0.90	1.25	6.25	19	115	93	38	14
E	1.23	2.00	10.0	22	115	93	38	14
F	1.75	3.20	16.0	26	115	93	38	14

ALLOY TRIANGLE RING FOR WEB SLING



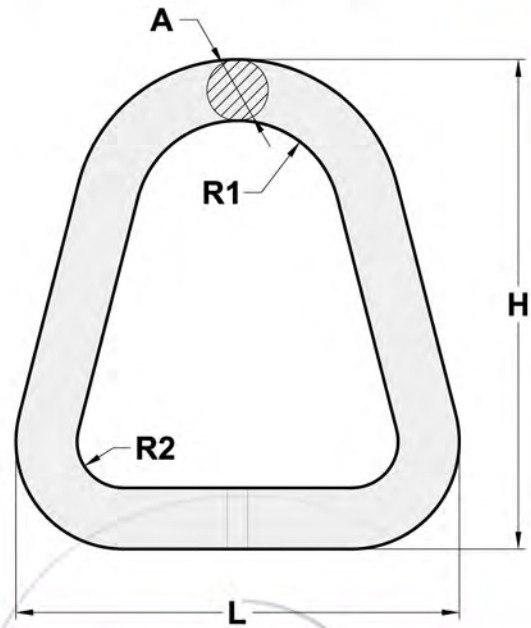
Size	Weight Each (kg)	Working Load Limit (t)	Breaking Load Limit (t)	A	B	L
2T	0.81	2	8	16	145	194
3T	1.66	3	12	20	199	248
4T	2.25	4	16	22	243	260
6T	4.91	6	24	28	340	340

ALLOY TRIANGLE RING FOR WEB SLING



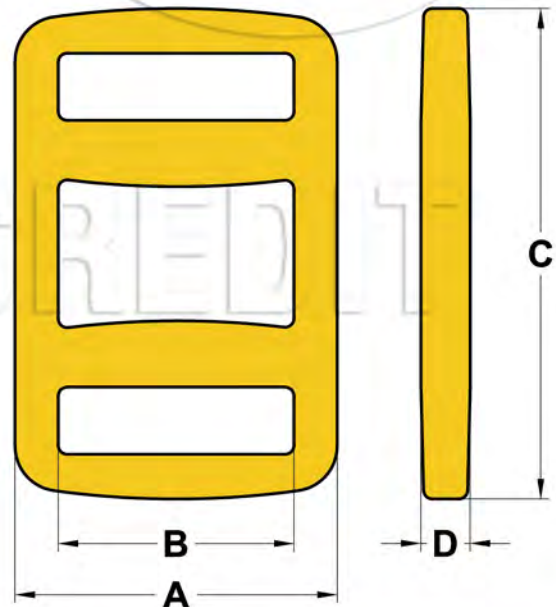
Size	Weight Each (kg)	Working Load Limit (t)	Breaking Load Limit (t)	A	B	H	L
2T	0.99	2	8	16	145	46	194
3T	2.04	3	12	20	199	57	248
4T	2.82	4	16	22	243	56	260
6T	6.30	6	24	28	340	78	340

ALLOY TRIANGLE RING FOR WEB SLING



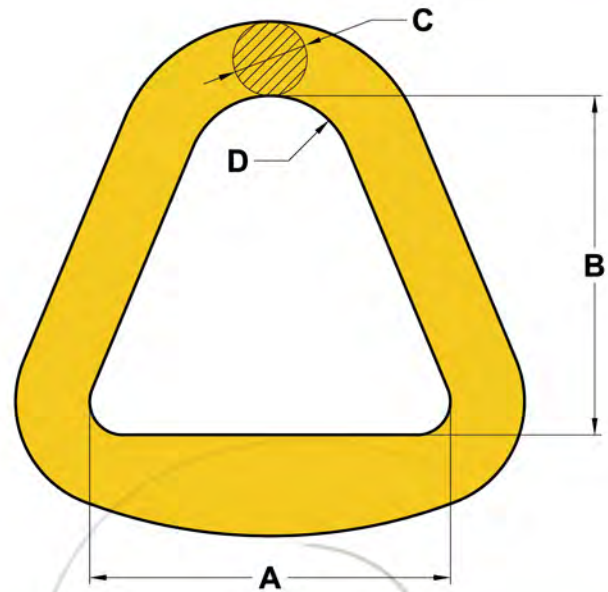
Size	Weight Each (kg)	Working Load Limit (T)	Breaking Load (T)	Dimensions (mm)				
				A	H	L	R1	R2
2T	0.47	2	8	16	112	100	15	5
3T	1.12	3	12	20	160	145	33.5	6
4T	1.52	4	16	22	175	178	32	10
6T	3.5	6	24	28	235	260	45	25

ONE WAY LASHING BUCKLE



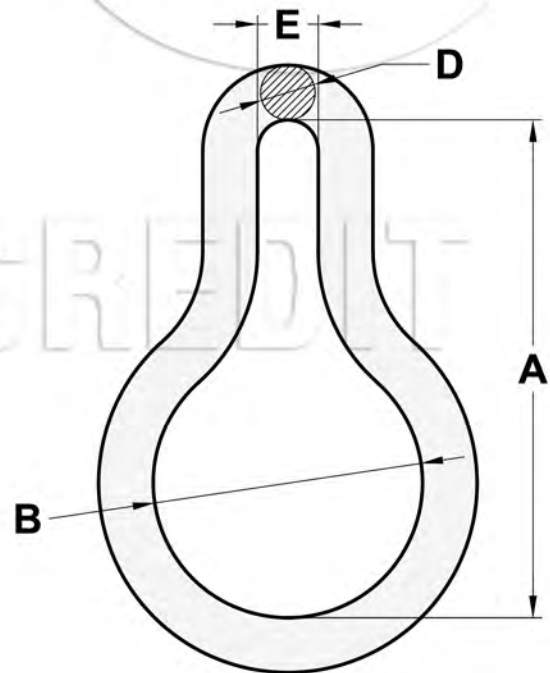
Size	Working Load Limit (kg)	Breaking Load (kg)	Weight Each (kg)	Dimensions (mm)			
				A	B	C	D
30#	3000	6000	0.20	54	33	102	10
40#	4000	8000	0.27	64	42	107	11
50#	5000	10000	0.41	72	52	110	12

FLAT DELTA RING



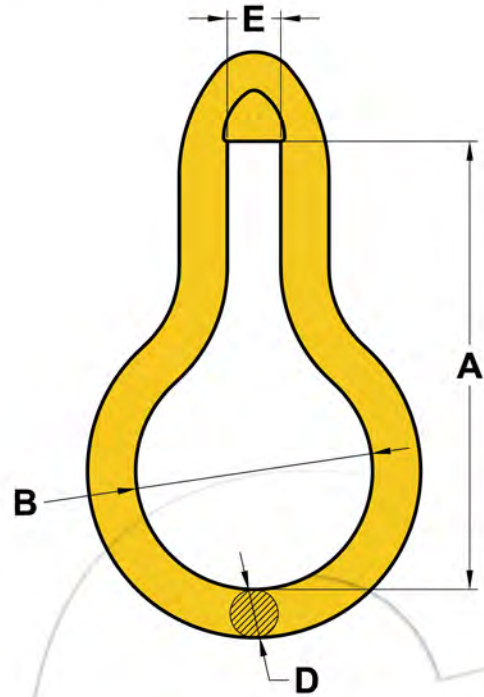
Size (in)	Minimum Breaking Strength (lbs)	Weight Each (lbs)	Dimensions (mm)			
			A	B	C	D
3	14400	1.63	81	85.7	17.0	17.5
4	4000	3.15	108	101.6	22.2	25

GRAB LINK



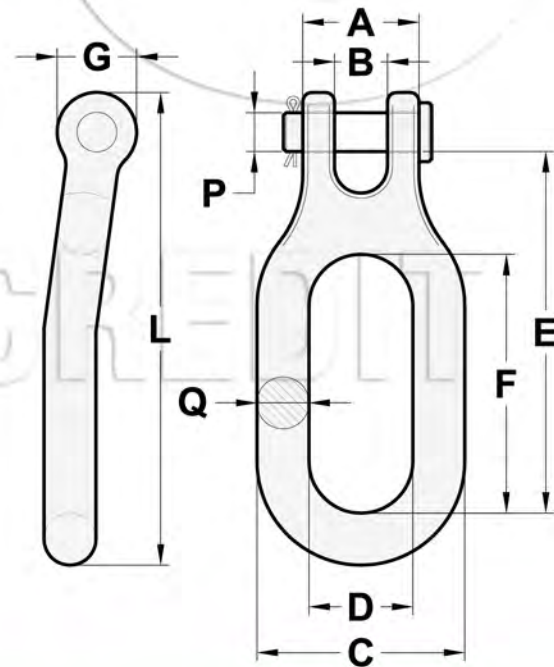
Size (in.)	Working Load Limit (lbs.)	Weight Each (lbs.)	Dimensions (mm)			
			A	B	E	D
5/8 x 7/8	44000	3.19	162	98.4	22.2	15.9
1 x 7/8	44000	3.22	162	98.4	22.2	25.4

WAIST LINK



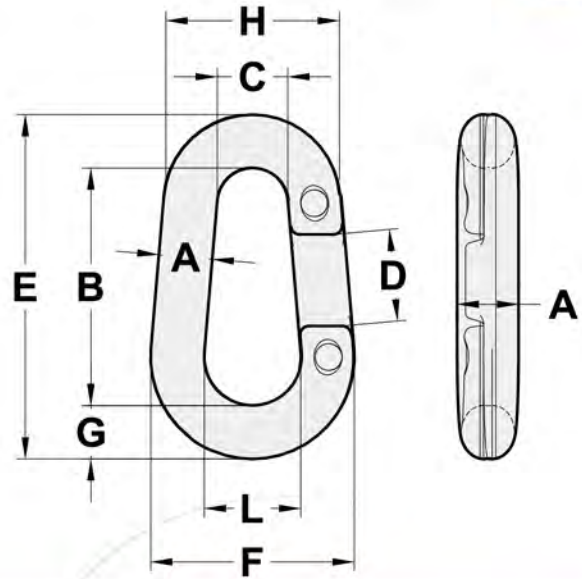
Size (in.)	Minimum Breaking Strength (lbs)	Weight Each (lbs.)	Dimensions (mm)			
			A	B	E	D
3/8	31000	2.03	139	59	13.6	19

CLEVIS LINK



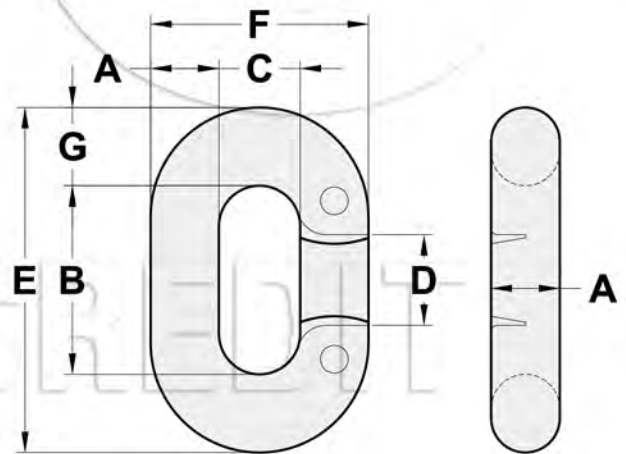
Size (in.)	Working Load Limit (kg)	Weight Each (kg)	Dimensions (mm)									
			A	B	C	D	E	F	G	P	Q	L
5/16	4700	0.36	28.5	11	60	33	98.5	66	24	10	13.5	129.5
3/8	6600	0.77	33	12	81	46	139.5	102	27	12	17.5	177
1/2	11300	1.3	41	15	90	46	141	102	33	16	22	188
5/8	15800	2.11	57	26	102	51	177	127	39	19	25.5	232

PEAR SHAPE REPLACEMENT LINKS



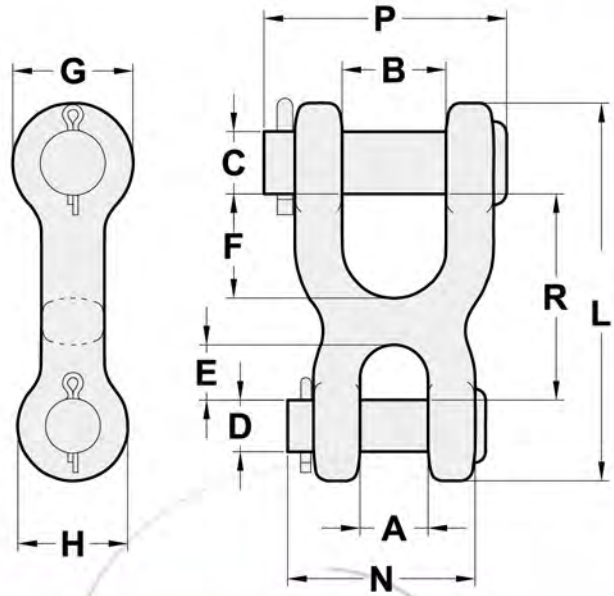
Chain Size (in.)	Working Load Limit (lbs.)	Weight Each (kg)	Dimensions (mm)								
			A	B	C	D	E	F	G	H	L
3/8	1850	25	0.41	2.00	0.56	0.81	2.94	1.63	0.47	1.38	0.81
1/2	3300	50	0.50	2.50	0.69	1.00	3.63	2.00	0.56	1.69	1.00
5/8	5000	75	0.63	2.75	0.81	1.06	4.00	2.38	0.63	2.06	1.13
3/4	7100	125	0.75	3.13	1.00	1.13	4.75	2.75	0.81	2.50	1.25
7/8	9600	200	0.88	3.69	1.25	1.38	5.56	3.25	0.94	3.00	1.50

OVAL-SHAPE REPLACEMENT LINKS



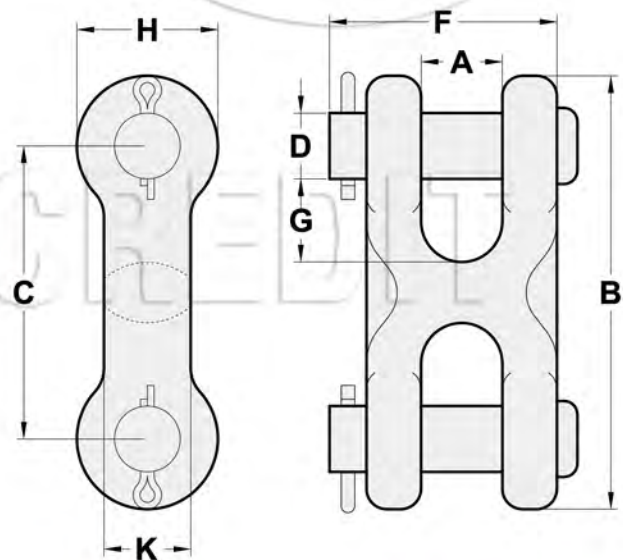
Chain Size (in.)	Working Load Limit (lbs.)	Weight Each (kg)	Dimensions (mm)						
			A	B	C	D	E	F	G
3/16	800	2.5	0.25	0.69	0.34	0.34	1.19	0.78	0.28
1/4	1325	6.25	0.28	0.88	0.44	0.44	1.50	1.00	0.31
5/16	1950	12.5	0.34	0.94	0.47	0.47	1.69	1.16	0.38
3/8	2750	20.0	0.41	1.13	0.56	0.56	2.06	1.38	0.47
7/16	3625	27.5	0.47	1.28	0.59	0.59	2.34	1.53	0.53
1/2	4750	37.5	0.53	1.47	0.66	0.66	2.66	1.72	0.59
5/8	7250	72.5	0.66	1.81	0.78	0.81	3.31	2.09	0.75
3/4	10250	122.5	0.78	2.13	0.94	1.06	3.88	2.50	0.88
7/8	12000	175.0	0.91	2.50	1.13	1.13	4.50	2.94	1.00
1	15500	250.0	1.03	2.75	1.25	1.25	5.00	3.31	1.13

S247 DOUBLE CLEVIS LINK



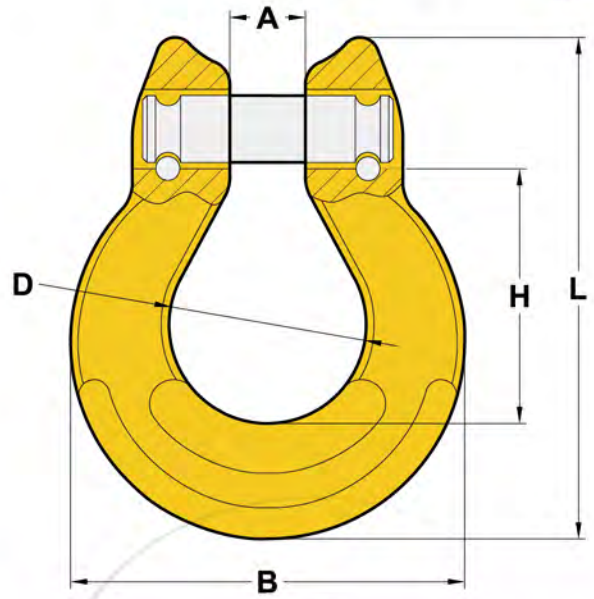
Chain Size (in.)	Working Load Limit (lbs.)	Weight Each (kg)	Dimensions (mm)												
			A	B	C	D	E	F	G	H	L	N	P	R	
1/4	2600	0.38	0.50	0.75	0.50	0.31	0.38	0.75	1.00	0.81	2.81	1.38	1.66	1.50	
5/16-3/8	5400	0.81	0.56	1.00	0.63	0.44	0.47	1.00	1.19	1.00	3.53	1.75	2.25	1.91	
7/16	7200	1.25	0.69	1.13	0.69	0.56	0.59	1.09	1.31	1.19	4.06	2.00	2.50	2.19	
1/2	9200	1.56	0.81	1.25	0.75	0.63	0.68	1.25	1.44	1.31	4.53	2.25	2.75	2.47	

S249 TWIN CLEVIS LINK



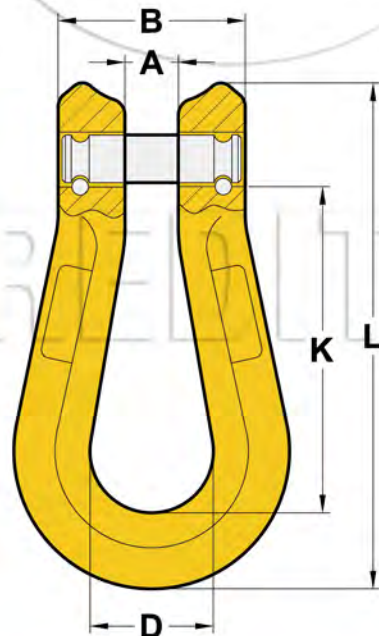
Chain Size (in.)	Working Load Limit (lbs.)	Weight Each (kg)	Dimensions (mm)												
			A	B	C	D	E	F	G	H	L	N	P	R	
1/4-5/16	2600	0.38	0.50	0.75	0.50	0.31	0.38	0.75	1.00	0.81	2.81	1.38	1.66	1.50	
3/8	5400	0.81	0.56	1.00	0.63	0.44	0.47	1.00	1.19	1.00	3.53	1.75	2.25	1.91	
7/16-1/2	7200	1.25	0.69	1.13	0.69	0.56	0.59	1.09	1.31	1.19	4.06	2.00	2.50	2.19	

G80 OMEGA LINK



Size	Weight Each (kg)	Working Load Limit (t)	Breaking Load Limit (t)	A ± 0.5	B ± 2	D ± 1	H ± 1.5	L ± 2
6	0.12	1.12	4.48	8	41	20.5	25	52
7/8	0.22	2.0	8.0	10	52	23.5	35	68.5
10	0.36	3.15	12.6	12	62	31.5	40.5	81
13	0.71	5.3	21.2	15	81	41	54	108
16	1.3	8	32	19	99	49.5	64	126
20	2.2	12.5	50	23	118	58	75.6	152

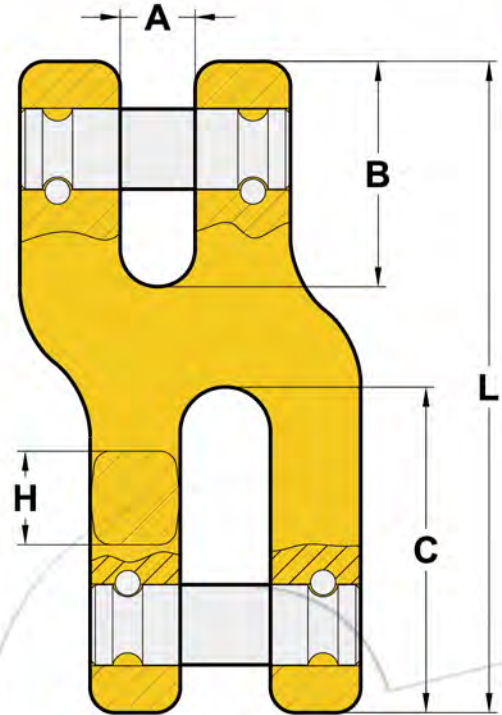
G80 LONG OMEGA LINK



Size	Weight Each (kg)	Working Load Limit (t)	Breaking Load Limit (t)	A ± 0.5	B ± 1.2	D ± 1	K ± 1.5	L ± 2
6	0.12	1.12	4.48	8	28	20	47.5	75
7/8	0.17	2.0	8.0	10	32.5	25	59	92
10	0.43	3.15	12.6	13	45.5	30	78.5	123
13	1	5.3	21.2	15	57.5	46	94	154

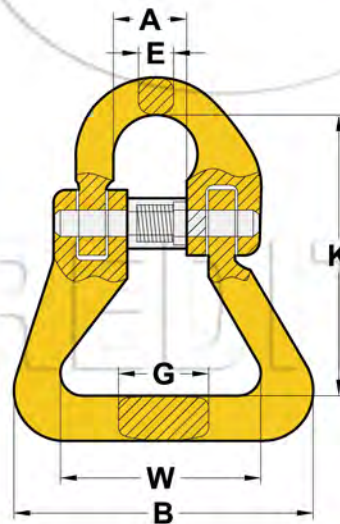
WARNING Never exceed Working Load Limit

G80 CHAIN CONNECTOR



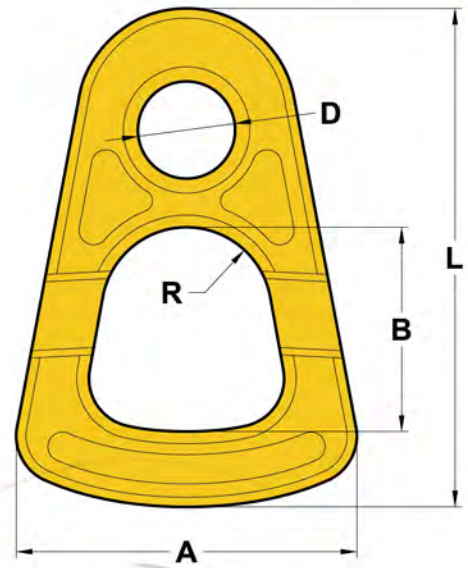
Size	Weight Each (kg)	Working Load Limit (t)	Breaking Load Limit (t)	A ± 0.5	B ± 1.2	D ± 1	K ± 1.5	L ± 2
13	1.2	5.3	21.2	18	45	65	35	130

G80 WEB SLING CONNECTOR



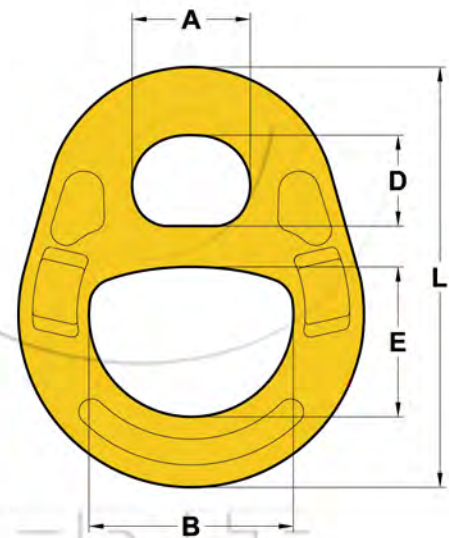
Size	Weight Each (kg)	Working Load Limit (t)	Breaking Load Limit (t)	A ± 1.5	B ± 2	K ± 1	W ± 2	G ± 1	E ± 1
6	0.2	1.12	4.48	15	60	56	40	18	7
7/8	0.3	2.0	8.0	20	61.5	63.7	40	24	9.5
10	0.68	3.15	12.6	24	66	83	39	30.5	11
13	1.47	2.3	21.2	28	88	93.7	55	36.8	16.5
16	2.3	8	32	34.5	108	120	65.5	45.2	19.8
20	3.3	12.5	50	41	129	138	80	51.8	23
22	6.89	15	60	50	191	180	126	70	26
26	10.62	21.2	84.8	58	228.4	209.5	152	86	30
32	18.92	31.5	126	72.5	252	279	160	91	55

ALLOY FORGED EVR RING



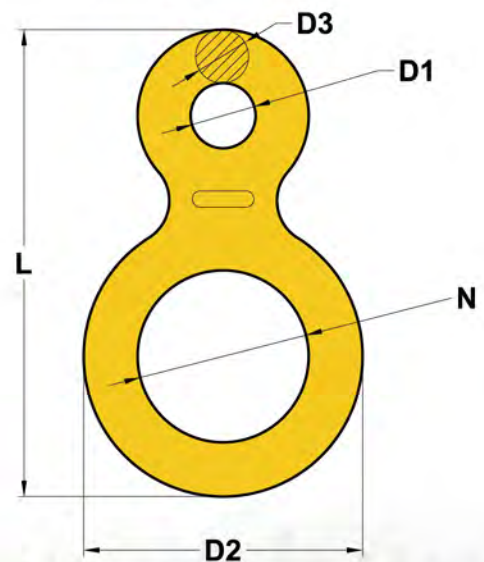
Size	Weight Each (kg)	WLL (t)	BL (t)	A ± 0.5	B ± 0.5	R	D	L ± 1
8T	1.47	8	40	97.5	68	23.5	38	176
10T	2.59	10	50	140	84	35	40	205

ALLOY FORGED EVR RING



Size	Weight Each (kg)	WLL (t)	BL (t)	A ± 1	B ± 1.2	D ± 1	E ± 1	L ± 2
15T	2.2	15	75	52	90	40	66	185
20T	5.38	20	100	82	125	45.5	106	227.5

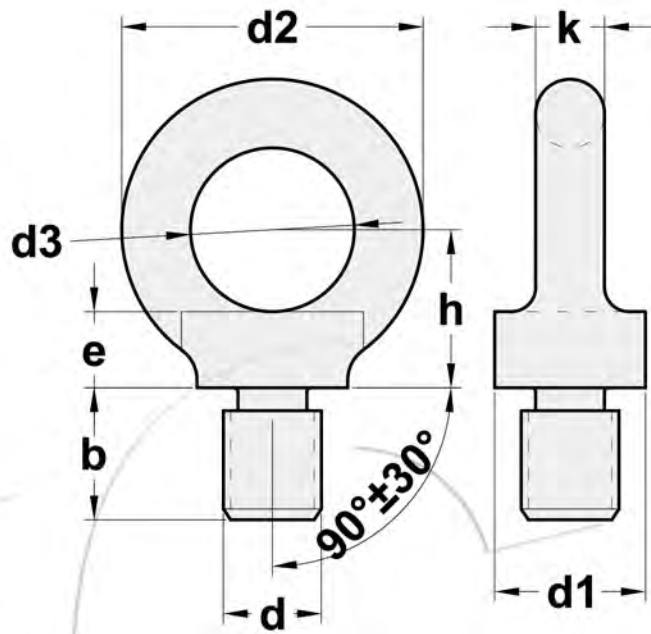
ALLOY FORGED EVR RING



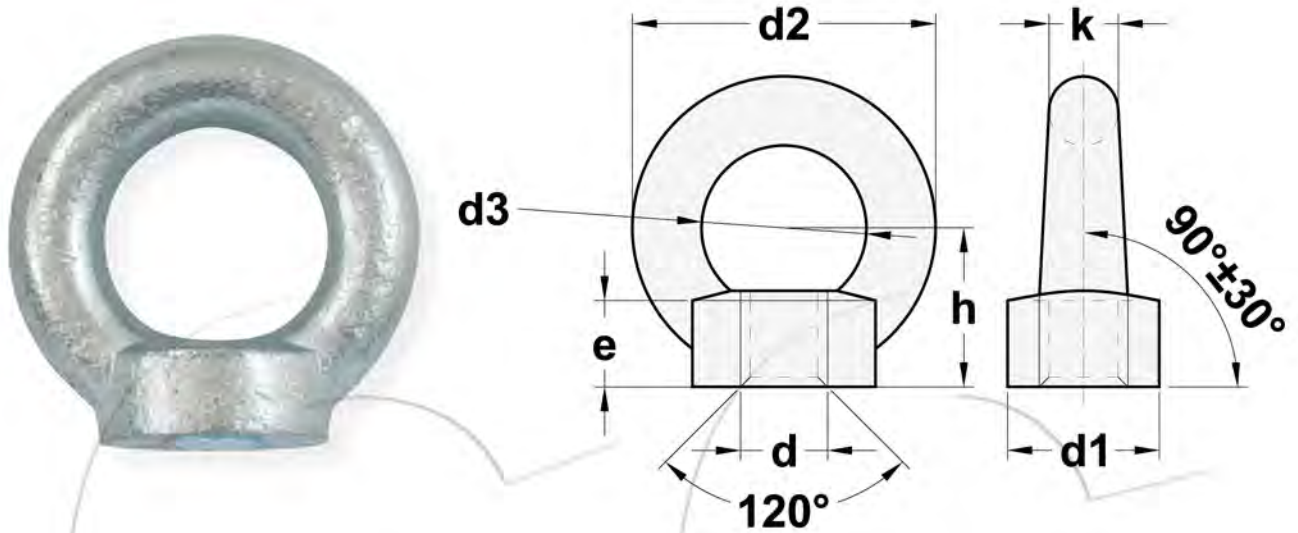
Size	Weight Each (kg)	WLL (t)	BL (t)	N ± 1	D1 ± 1.2	D2 ± 1	D3 ± 1	L ± 2
12T	4.4	12	60	100	38	163	32	270

WARNING Never exceed Working Load Limit

DIN580 EYE BOLT

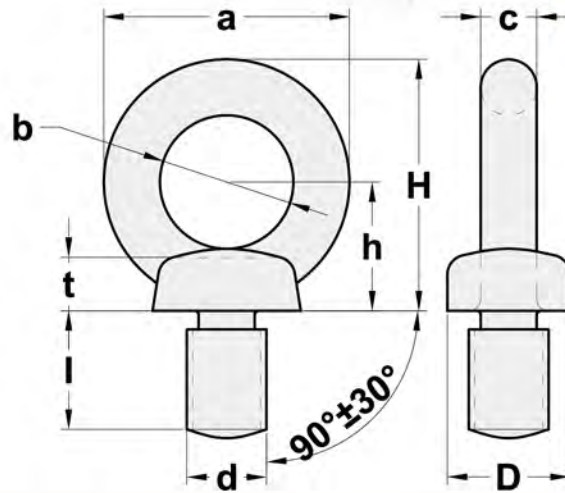


Size (d)	Working Load Limit (t)	Weight Per 100 (kg)	Dimensions (mm)						
			d1	d2	d3	b	e	h	k
M6	0.08	5	20	36	20	13	6	18	8
M8	0.14	6	20	36	20	13	6	18	8
M10	0.23	11	25	45	25	17	8	22.5	10
M12	0.34	18	30	54	30	20.5	10	26	12
M14	0.49	28	35	63	35	27	12	30.5	14
M16	0.7	28	35	63	35	27	12	30.5	14
M18	0.93	45	40	72	40	30	14	35	16
M20	1.2	45	40	72	40	30	14	35	16
M22	1.5	67	45	81	45	35	16	40	18
M24	1.8	87	50	90	50	36	18	45	20
M27	2.5	88	50	90	50	36	18	45	20
M30	3.6	166	65	108	60	45	22	55	24
M33	4.3	172	65	108	60	45	22	55	24
M36	5.1	265	75	126	70	54	26	65	28
M39	6.1	280	75	126	70	54	26	65	28
M42	7.0	403	85	144	80	63	30	75	32
M45	8.0	425	85	144	80	63	30	75	32
M48	8.6	638	100	166	90	68	35	85	38
M52	9.9	660	100	166	90	68	35	85	38
M56	11.5	880	110	184	100	78	38	95	42
M64	16.0	1240	120	206	110	90	42	105	48
M72	20	23300	150	260	140	100	50	130	60
M80	28	34200	170	296	160	112	55	150	68
M100	40	49100	190	330	180	130	60	165	75



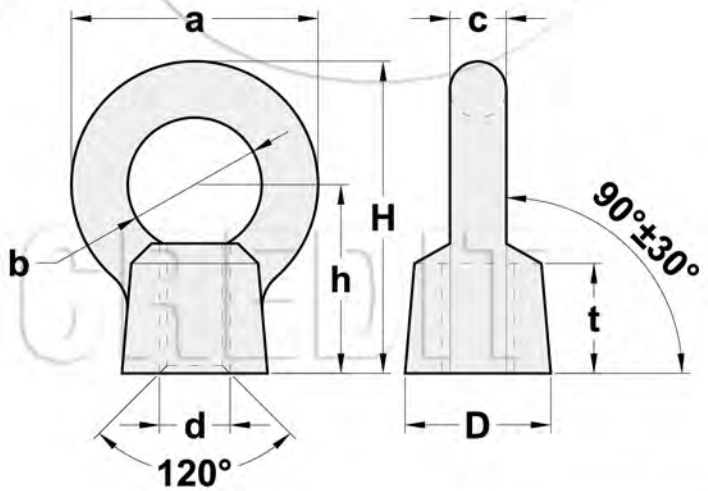
Size (d)	Working Load Limit (t)	Weight Per 100 (kg)	Dimensions (mm)					
			d1	d2	d3	e	h	k
M6	0.08	4.5	20	36	20	8.5	18	8
M8	0.14	5	20	36	20	8.5	18	8
M10	0.23	9	25	45	25	10	22.5	10
M12	0.34	16	30	54	30	11	26	12
M14	0.49	24	35	63	35	13	30.5	14
M16	0.7	24	35	63	35	13	30.5	14
M18	0.93	36	40	72	40	16	35	16
M20	1.2	36	40	72	40	16	35	16
M22	1.5	38	45	81	45	18	40	18
M24	1.8	72	50	90	50	20	45	20
M27	2.5	70	50	90	50	20	45	20
M30	3.6	132	65	108	60	25	55	24
M33	4.3	130	65	108	60	25	55	24
M36	5.1	208	75	126	70	30	65	28
M39	6.1	202	75	126	70	30	65	28
M42	7	311	85	144	80	35	75	32
M45	8	304	85	144	80	35	75	32
M48	8.6	502	100	166	90	40	85	38
M52	9.9	495	100	166	90	40	85	38
M56	11.5	669	110	184	100	45	95	42
M64	16	930	120	206	110	50	105	48
M72	20	1850	150	260	140	60	130	60
M80	28	2730	170	296	160	70	150	68
M100	40	3640	190	330	180	80	165	75

JIS B 1168-1994 EYE BOLT



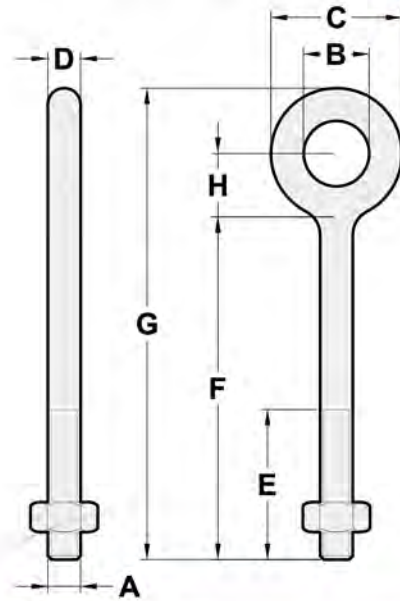
Size (d)	Working Load Limit (t)	Weight Each (kg)	Dimensions (mm)								
			a	b	c	D	t	h	H	l	t
M8	0.785	0.03	32.6	20	6.3	16	5	17	33.3	15	5
M10	1.47	0.06	41	25	8	20	7	21	41.5	18	7
M12	2.16	0.12	50	30	10	25	9	26	51	22	9
M16	4.41	0.22	60	35	12.5	30	11	30	60	27	11
M20	6.18	0.4	72	40	16	30	13	35	71	30	13
M24	9.32	0.8	90	50	20	45	18	45	90	38	18
M30	14.7	1.54	110	60	25	60	22	55	110	45	22
M36	22.6	2.83	133	70	31.5	70	26	65	131.5	55	26

JIS B 1169-1994 EYE NUT



Size (d)	Working Load Limit (t)	Weight Each (kg)	Dimensions (mm)							
			a	b	c	D	t	h	H	r
M8	0.785	0.03	32.6	20	6.3	16	12	23	39.3	8
M10	1.47	0.06	41	25	8	20	15	28	48.5	10
M12	2.16	0.125	50	30	10	25	19	36	61	12
M16	4.41	0.23	60	35	12.5	30	23	42	72	14
M20	6.18	0.38	72	40	16	35	28	50	86	16
M24	9.32	0.8	90	50	20	45	38	66	111	20
M30	14.7	1.58	110	60	25	60	46	80	135	30
M36	22.6	2.75	133	70	31.5	70	55	95	161.5	35

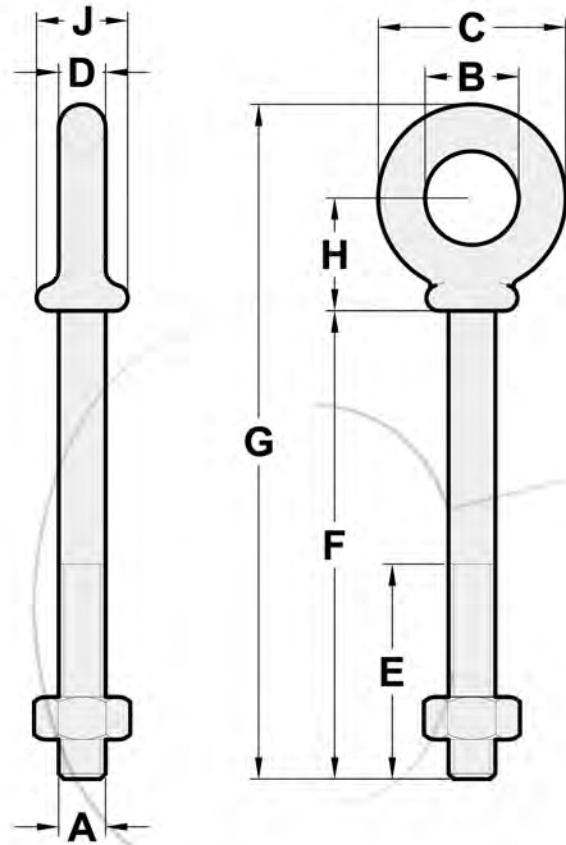
US TYPE REGULAR NUT EYE BOLTS G291



Size (in.)	Working Load Limit (lbs.)	Weight Per 100 (lbs.)	Dimensions (in.)							
			A	B	C	D	E	F	G	H
1/4 x 2	650	8.2	0.25	0.5	1	0.25	1.5	2	3.06	0.56
1/4 x 4	650	11.7	0.25	0.5	1	0.25	2.5	4	5.06	0.56
5/16 x 2-1/4	1200	13.3	0.31	0.62	1.25	0.31	1.5	2.25	3.56	0.69
5/16 x 4-1/4	1200	25	0.31	0.62	1.25	0.31	2.5	4.25	5.56	0.69
3/8 x 2-1/2	1550	23.3	0.38	0.75	1.5	0.38	1.5	2.5	4.12	0.88
3/8 x 4-1/2	1550	29.5	0.38	0.75	1.5	0.38	2.5	4.5	6.12	0.88
3/8 x 6	1550	35.2	0.38	0.75	1.5	0.38	2.5	6	7.62	0.88
1/2 x 3-1/4	2600	50.3	0.5	1	2	0.5	1.5	3.25	5.38	1.12
1/2 x 6	2600	66.1	0.5	1	2	0.5	3	6	8.12	1.12
1/2 x 8	2600	82	0.5	1	2	0.5	3	8	10.12	1.12
1/2 x 10	2600	88	0.5	1	2	0.5	3	10	12.12	1.12
1/2 x 12	2600	114.2	0.5	1	2	0.5	3	12	14.12	1.12
5/8 x 4	5200	103.1	0.62	1.25	2.5	0.62	2	4	6.69	1.44
5/8 x 6	5200	118.2	0.62	1.25	2.5	0.62	3	6	8.69	1.44
5/8 x 8	5200	135.1	0.62	1.25	2.5	0.62	3	8	10.69	1.44
5/8 x 10	5200	153.6	0.62	1.25	2.5	0.62	3	10	12.69	1.44
5/8 x 12	5200	167.1	0.62	1.25	2.5	0.62	4	12	14.69	1.44
3/4 x 4-1/2	7200	168.6	0.75	1.5	3	0.75	2	4.5	7.69	1.44
3/4 x 6	7200	184.5	0.75	1.5	3	0.75	3	6	9.19	1.69
3/4 x 8	7200	207.9	0.75	1.5	3	0.75	3	8	11.19	1.69
3/4 x 10	7200	235	0.75	1.5	3	0.75	3	10	13.19	1.69
3/4 x 12	7200	257.5	0.75	1.5	3	0.75	4	12	15.18	1.69
3/4 x 15	7200	298	0.75	1.5	3	0.75	5	15	18.19	1.69
7/8 x 5	10600	270	0.88	1.75	3.5	0.88	2.5	5	8.75	2
7/8 x 8	10600	308	0.88	1.75	3.5	0.88	4	8	11.75	2
7/8 x 12	10600	400	0.88	1.75	3.5	0.88	4	12	15.75	2
1 x 6	13300	421	1	2	4	1	3	6	10.31	2.31
1 x 9	13300	468.5	1	2	4	1	4	9	13.31	2.31
1 x 12	13300	540	1	2	4	1	4	12	16.31	2.31
1 x 18	13300	650	1	2	4	1	7	18	22.31	2.31
1-1/4 x 8	21000	750	1.25	2.5	5	1.25	4	8	13.38	2.88
1-1/4 x 12	21000	900	1.25	2.5	5	1.25	4	12	17.38	2.88
1-1/4 x 20	21000	1210	1.25	2.5	5	1.25	6	20	25.38	2.88

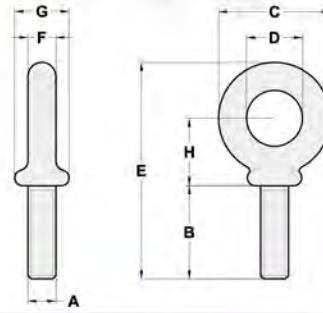
WARNING Never exceed Working Load Limit

US TYPE FORGED SHOULDER NUT EYE BOLTS G277



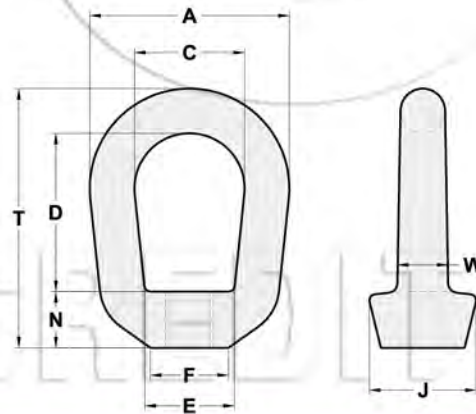
Size (in.)	Working Load Limit (lbs.)	Weight Per 100 (lbs.)	Dimensions (in.)								
			A	B	C	D	E	F	G	H	J
1/4 x 2	650	6.6	0.25	0.5	0.88	0.19	1.5	2	2.94	0.5	0.47
1/4 x 4	650	9.1	0.25	0.5	0.88	0.19	2.5	4	4.94	0.5	0.47
5/16 x 2-1/4	1200	12.5	0.31	0.62	1.12	0.25	1.5	2.25	3.5	0.69	0.56
5/16 x 4-1/4	1200	18.8	0.31	0.62	1.12	0.25	2.5	4.25	5.5	0.69	0.56
3/8 x 2-1/2	1550	21.4	0.38	0.75	1.38	0.31	1.5	2.5	3.97	0.78	0.66
3/8 x 4-1/2	1550	25.3	0.38	0.75	1.38	0.31	2.5	4.5	5.97	0.78	0.66
1/2 x 3-1/4	2600	42.6	0.5	1	1.75	0.38	1.5	3.25	5.12	1	0.91
1/2 x 6	2600	56.8	0.5	1	1.75	0.38	3	6	7.88	1	0.91
5/8 x 4	5200	68.6	0.62	1.25	2.25	0.5	2	4	6.44	1.31	1.12
5/8 x 6	5200	102.4	0.62	1.25	2.25	0.5	3	6	8.44	1.31	1.12
3/4 x 4-1/2	7200	144.5	0.75	1.5	2.75	0.62	2	4.5	7.44	1.56	1.38
3/4 x 6	7200	167.5	0.75	1.5	2.75	0.62	3	6	8.94	1.56	1.38
7/8 x 5	10600	225	0.88	1.75	3.25	0.75	2.5	5	8.46	1.84	1.56
1 x 6	13300	366.3	1	2	3.75	0.88	3	6	9.97	2.09	1.81
1 x 9	13300	422.5	1	2	3.75	0.88	4	9	12.97	2.09	1.81
1-1/4 x 8	21000	650	1.25	2.5	4.5	1	4	8	12.72	2.47	2.28
1-1/4 x 12	21000	795	1.25	2.5	4.5	1	4	12	16.72	2.47	2.28
1-1/2 x 15	24000	1425	1.5	3	5.5	1.25	6	15	20.75	3	2.75

US TYPE FORGED MACHINERY EYE BOLTS S279



Size (in.)	Working Load Limit (lbs.)	Weight Per 100 (lbs.)	Dimensions (in.)							
			A	B	C	D	E	F	G	H
1/4 x 1	650	5	1/4-20	1.02	1.13	0.75	2.29	0.19	0.53	0.77
5/16 x 1-1/8	1200	9	5/16-18	1.15	1.38	0.88	2.74	0.25	0.59	0.95
3/8 x 1-1/4	1550	15	3/8-16	1.27	1.62	1	3.07	0.31	0.69	1.05
1/2 x 1-1/2	2600	28	1/2-13	1.53	1.95	1.19	3.7	0.38	0.91	1.27
5/8 x 1-3/4	5200	55	5/8-11	1.79	2.38	1.38	4.45	0.5	1.13	1.53
3/4 x 2	7200	96	3/4-10	2.05	2.76	1.5	5.07	0.63	1.38	1.71
7/8 x 2-1/4	10600	154	7/8-10	2.31	3.25	1.75	5.87	0.75	1.56	2
1 x 2-1/2	13300	238	1-8	2.57	3.76	2	6.66	0.88	1.81	2.3
1-1/8 x 2-3/4	15000	320	1-1/8-7	2.75	4.19	2.25	7.2	0.97	2.06	2.35
1-1/4 x 3	21000	399	1-1/4-7	3.09	4.5	2.5	7.95	1	2.28	2.73
1-1/2 x 3-1/2	24000	720	1-1/2-6	3.6	5.5	3	9.49	1.25	2.75	3.28
1-3/4 x 3-3/4	34000	1040	1-3/4-5	3.75	6.26	3.5	10.48	1.38	3	3.6
2 x 4	42000	1880	2-4-1/2	4	7.62	4	12.31	1.81	3.38	4.5
2-1/2 x 5	65000	3250	2-1/2-4	5	8.76	4.5	14.88	2.12	4.25	5.5

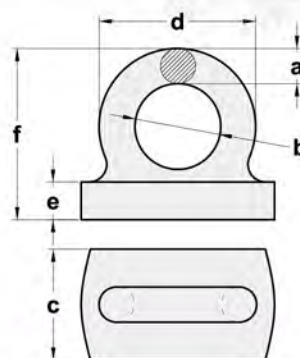
US TYPE FORGED EYE NUTS G400



Size (in.)	Working Load Limit (lbs.)	Weight Per 100 (lbs.)	Dimensions (in.)									
			A	C	D	E	F	J	K	N	T	W
1/4	520	0.09	1.25	0.75	1	0.75	0.5	0.69	0.63	0.38	1.72	0.31
3/8	1250	0.17	1.62	1	1.2	0.83	0.56	0.81	0.89	0.5	2.09	0.41
1/2	2250	0.28	2	1.25	1.44	1.08	0.81	1	1.09	0.62	2.55	0.5
5/8	3600	0.6	2.5	1.5	1.92	1.35	1	1.31	1.31	0.69	3.25	0.69
3/4	5200	1	3	1.75	2.38	1.59	1.12	1.5	1.5	0.88	3.89	0.84
7/8	7200	1.65	3.5	2	2.63	1.96	1.38	1.88	1.88	0.94	4.32	1
1	10000	2.69	4	2.25	3.06	2.21	1.56	2.13	2.13	1.07	5.01	1.19
1-1/4	15500	4.38	4.5	2.5	3.5	2.46	1.88	2.38	2.38	1.25	5.78	1.38
1-3/8	18500	5	5	2.75	4	2.69	2	2.56	2.56	1.38	6.51	1.5
1-1/2	22500	6.78	5.62	3.12	4.31	3.09	2.25	3	3	1.5	7.06	1.66
2	40000	14.6	7.12	4.1	6.2	4.09	3.13	3.75	3.75	2.06	9.91	1.94

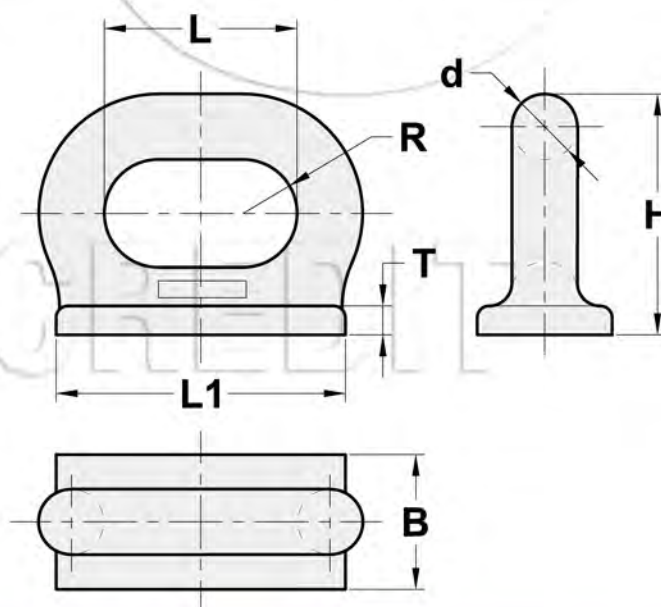
WARNING Never exceed Working Load Limit

RECTANGULAR BASE EYE PLATES



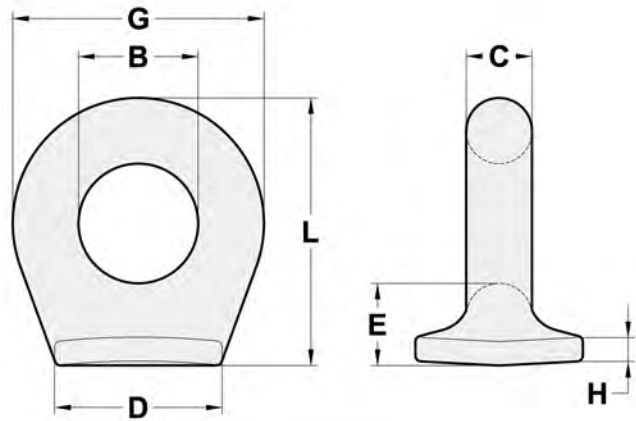
Diameter Size a (in.)	Proof Load (t)	Weight Each (kg)	Dimensions (mm)					
			a	b	c	d	e	f
3/8	2.00	0.14	10	20	25	45	5	38
1/2	3.50	0.33	12	25	35	60	8	50
5/8	5.50	0.53	16	32	45	70	10	64
3/4	7.50	0.77	19	38	50	85	12	76
7/8	9.60	1.27	22	42	60	102	13	89
1	13.00	2.00	25	50	70	115	16	100
1-1/8	15.75	2.90	28	57	76	130	18	114
1-1/4	20.00	3.44	32	64	85	145	19	128
1-3/8	23.63	5.11	35	70	95	159	21	140
1-1/2	29.00	6.58	38	76	100	170	22	152
1-3/4	39.00	9.99	44	88	120	200	26	178
2	50.00	14.98	50	100	140	230	30	203

PAD EYES



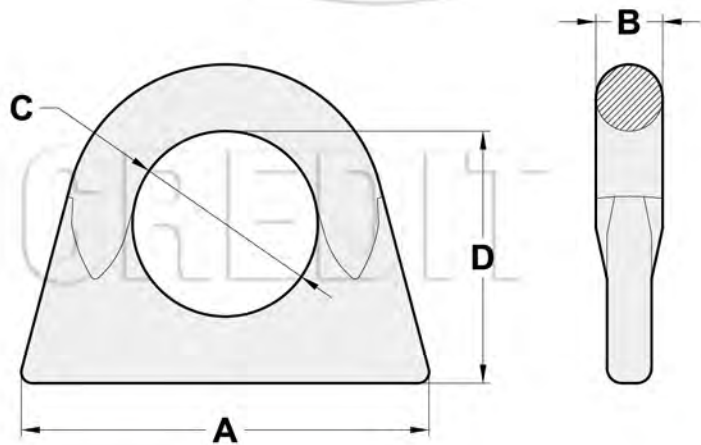
Size	Safe Working Load (kn)	Breaking Load (kn)	Dimensions (mm)						
			L	d	T	L1	B	H	R
D3.0	29.4	117.6	85	28	15	130	60	106	25
D5.0	49	196	100	34	15	150	70	125	28
D7.5	73.5	294	115	42	20	180	100	147	30
D10.0	98	392	135	50	20	210	120	162	32

US TYPE PAD EYE S264



Size	Weight Per 100 (lbs.)	Dimensions (mm)						
		B	C	D	E	G	H	L
0	2.8	0.25	0.19	0.63	0.31	0.63	0.09	0.75
1	6.5	0.38	0.25	0.88	0.41	0.88	0.13	1.03
1-1/2	10.4	0.63	0.25	1	0.44	1.13	0.16	1.31
2	21.1	0.75	0.38	1.06	0.5	1.5	0.19	1.63
4	52.2	1	0.56	1.44	0.78	2.13	0.22	2.34
5	82.5	1.25	0.69	1.75	0.81	2.63	0.25	2.75

EN13155 PAD EYES



Size	Working Load Limit (t)	Minimum Breaking Limit (kN)	Weight Each (kg)	Dimensions (mm)				
				A	B	C	D	E
0.2T	0.2	7.8	0.07	55	9	23	34	6
0.5T	0.5	19.6	0.13	68	12	31	42	6
1T	1	39.2	0.22	85	14	41	54	8
2T	2	78.4	0.44	105	19	47	63	10
4T	4	156.9	1.1	148	25	65	77	14

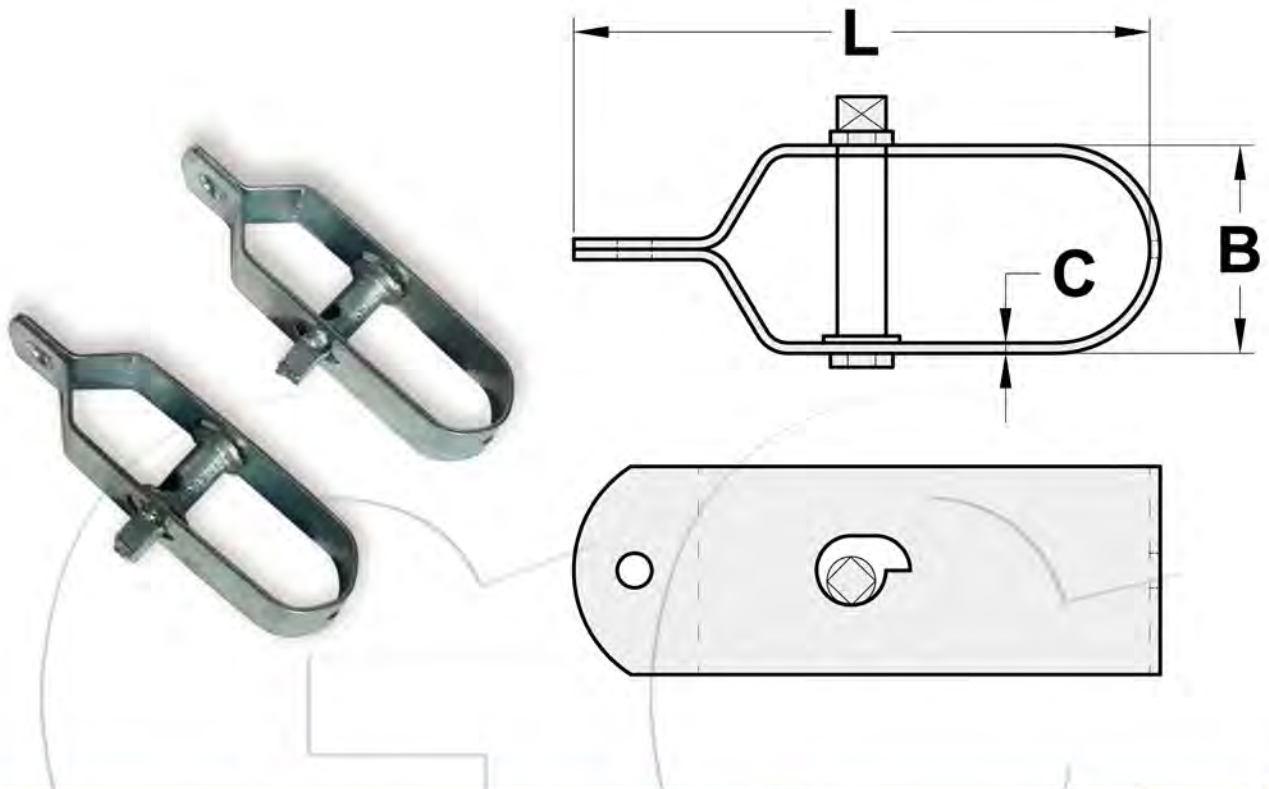
WARNING Never exceed Working Load Limit

If you are in need of other types
not listed in our catalogue
please contact our sales department.









Size	Weight Each (g)	Dimensions (mm)			Finish
		B	C	L	
EG-80#	68	30	1.5	83	Electric Galv.
HG-80#	68	30	1.5	83	Hot Dipper Galv.
PC-80#	68	30	1.5	83	Powder Coating
EG-90#	75	30	1.5	92	Electric Galv.
HG-90#	75	30	1.5	92	Hot Dipper Galv.
PC-90#	75	30	1.5	92	Powder Coating
EG-HD-90#	93	31	2	92	Electric Galv.
HG-HD-90#	93	31	2	92	Hot Dipper Galv.
PC-HD-90#	93	31	2	92	Powder Coating
EG-WD-90#	85	30	1.5	92	Electric Galv.
HG-WD-90#	85	30	1.5	92	Hot Dipper Galv.
PC-WD-90#	85	30	1.5	92	Powder Coating
EG-100#	100	31	2	103	Electric Galv.
HG-100#	100	31	2	103	Hot Dipper Galv.
PC-100#	100	31	2	103	Powder Coating
EG-HD-100#	120	34	2	102	Electric Galv.
HG-HD-100#	120	34	2	102	Hot Dipper Galv.
PC-HD-100#	120	34	2	102	Powder Coating
EG-110#	110	31	2	104	Electric Galv.
HG-110#	110	31	2	104	Hot Dipper Galv.
PC-110#	110	31	2	104	Powder Coating
EG-120#	180	44	2	122	Electric Galv.
HG-120#	180	44	2	122	Hot Dipper Galv.
PC-120#	180	44	2	122	Powder Coating
EG-FP-85#	75	33	1.5	85	Electric Galv.
EG-FP-100#	90	33	1.5	100	Electric Galv.

WIRE TENSIONER

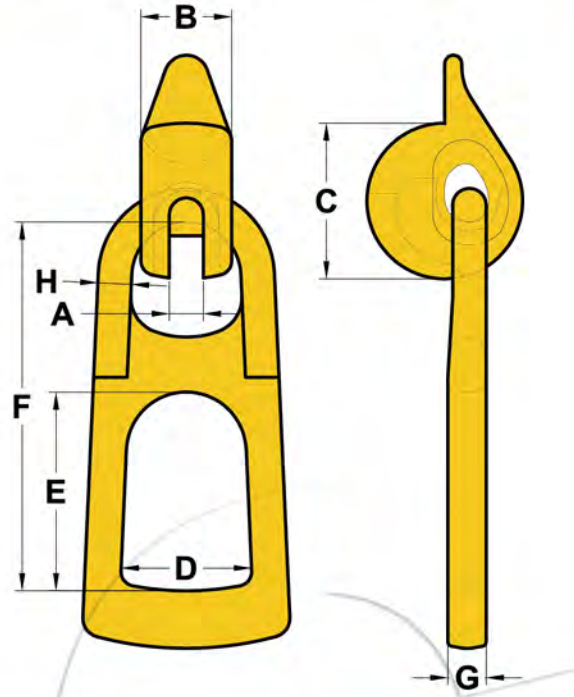


WIRE TENSIONER



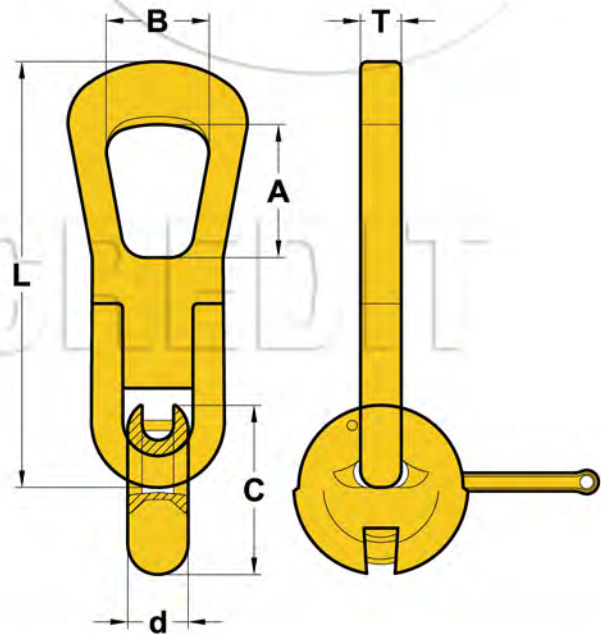
GOODCREDIT

LIFTING CLUTCH FOR CONCRTE LIFTING



Size	Weight Each (kg)	Dimensions (mm)							
		A	B	C	D	E	F	G	H
1T-1.3T	0.9	12	32	55	43	69.5	128.5	12	12
1.5T-2.5T	1.35	16	39	65	55	83	154	16	14

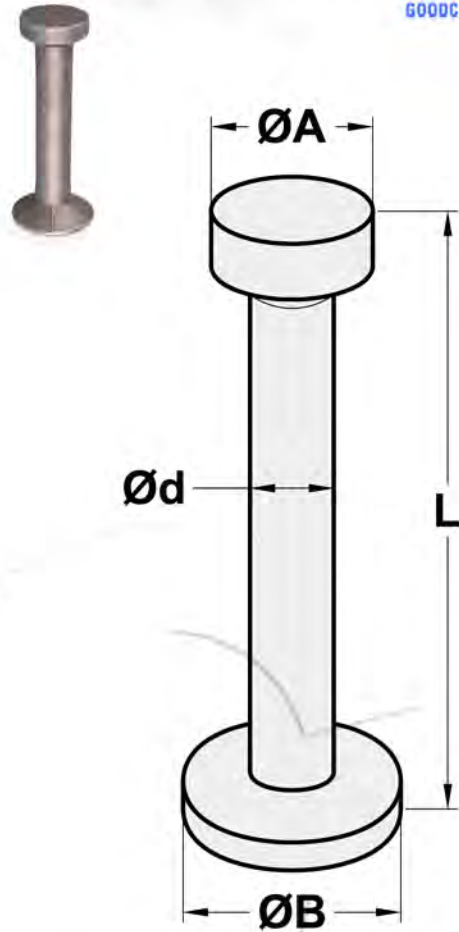
LIFTING RING CLUTCH FOR CONCRTE LIFTING



Size (T)	Load Group (t)	Dimensions (mm)					
		A	B	C	d	T	L
2.5	2.5	70	58	80	27	12	265
5	5	86	65	105	36	16	330
10	10	112	90	150	50	25	425
26	26	160	120	206	72	30	605

SWIFT LIFTING FOOT ANCHOR

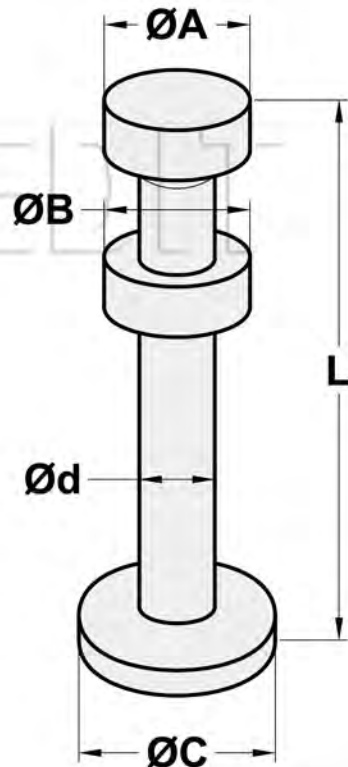
Size	Load Group (t)	Dimensions (mm)			
		A	B	d	L
1.3 × 55	1.3	19	25	10	55
1.3 × 65	1.3	19	25	10	65
1.3 × 85	1.3	19	25	10	85
1.3 × 120	1.3	19	25	10	120
2.5 × 55	2.5	26	35	14	55
2.5 × 85	2.5	26	35	14	85
2.5 × 120	2.5	26	35	14	120
2.5 × 170	2.5	26	35	14	170
5 × 75	5	36	50	20	75
5 × 95	5	36	50	20	95
5 × 120	5	36	50	20	120
5 × 240	5	36	50	20	240
7.5 × 120	7.5	46	60	24	120
7.5 × 170	7.5	46	60	24	170
10 × 120	10	46	70	28	120
10 × 170	10	46	70	28	170
13 × 300	13	69	85	34	300
20 × 300	20	70	98	39	300



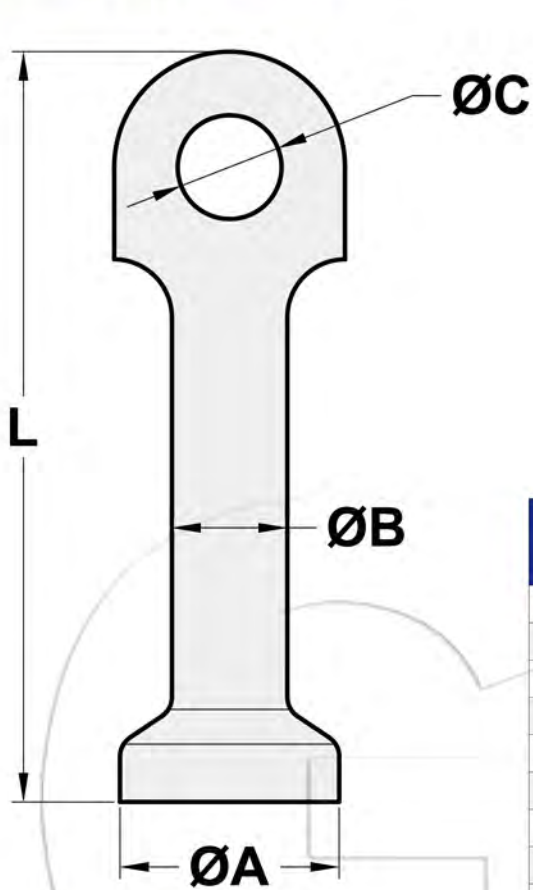
DOUBLE HEAD LIFTING FOOT ANCHOR



Size	Load Group (t)	Dimensions (mm)				
		A	B	C	d	L
1.3 × 55	1.3	19	19	25	10	55
1.3 × 85	1.3	19	19	25	10	85
1.3 × 120	1.3	19	19	25	10	120
2.5 × 85	2.5	26	26	35	14	85
2.5 × 120	2.5	26	26	35	14	120
2.5 × 170	2.5	26	26	35	14	170
5 × 75	5	36	36	50	20	75
5 × 120	5	36	36	50	20	120
5 × 240	5	36	36	50	20	240

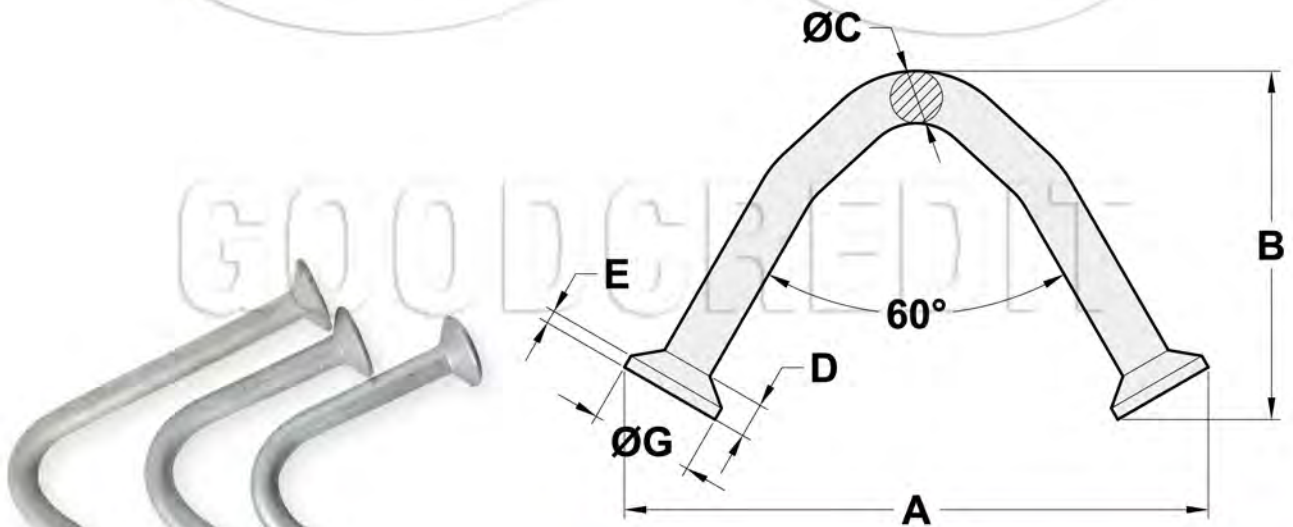


LIFTING EYE ANCHOR



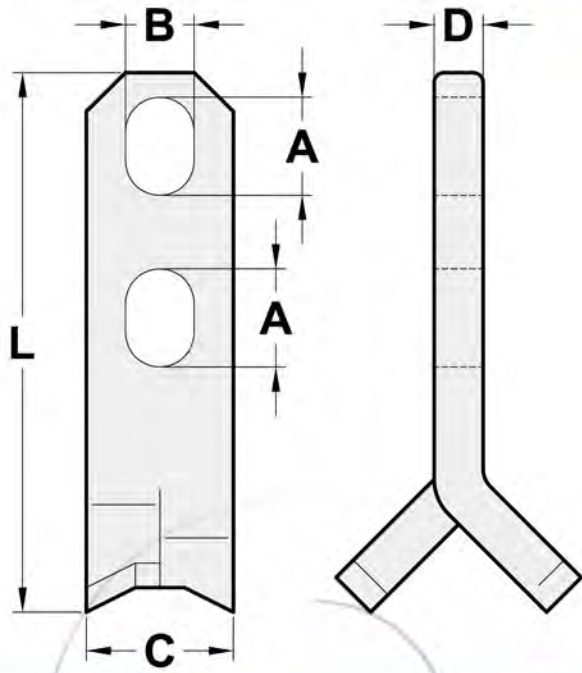
Size	Load Group (t)	Dimensions (mm)			
		A	B	C	L
1.3 × 55	1.3	19	10	9	55
2.5 × 90	2.5	26	14	13	90
2.5 × 120	2.5	26	14	13	120
5 × 90	5	36	20	18	90
5 × 120	5	36	20	18	120
10 × 115	10	47	28	25	115
10 × 180	10	47	28	25	180
20 × 250	20	70	39	37	250
32 × 300	32	88	50	47	300

UTILITY ANCHOR



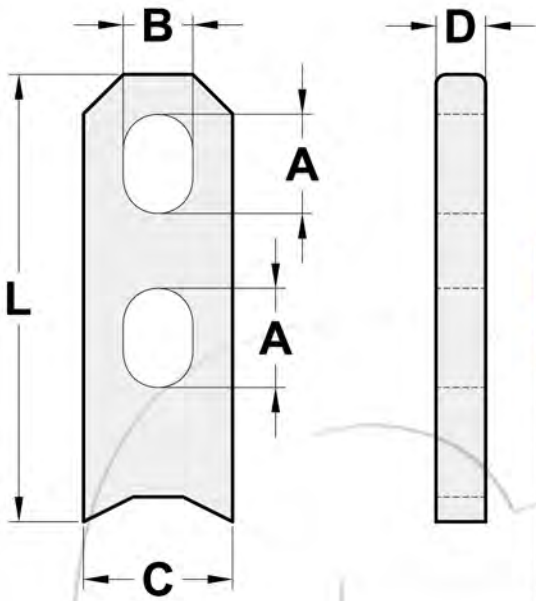
Size (T)	W.L.L (T)	Dimensions (mm)					
		A	B	C	D	E	G
0.8	0.8	134	80	12	8	3	24
1.8	1.8	152	95	12	8	3	24
2	2	181	120	12	8	3	24
3.5	3.5	173	95	17	11	3	41
5	5	188	120	17	11	3	41
7.5	7.5	254	170	17	11	3	41

SPREAD ANCHOR



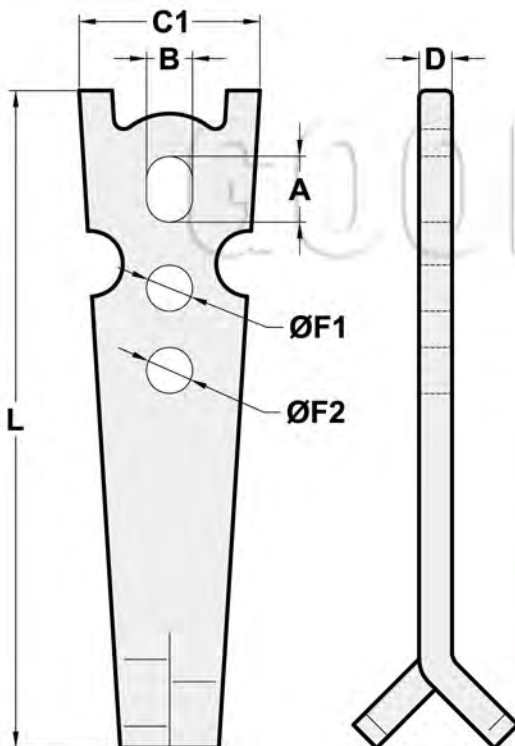
Designation Mill Finish	Load Group (t)	Dimensions (mm)				
		A	B	C	D	L
0.7x11	2.5	20	14	30	5	110
1.4x11	2.5	20	14	30	6	110
1.4x16	2.5	20	14	30	6	160
2x13	2.5	20	14	30	8	130
2x16	2.5	20	14	30	8	160
2x21	2.5	20	14	30	8	210
2.5x15	2.5	20	14	30	10	150
2.5x20	2.5	20	14	30	10	200
2.5x25	2.5	20	14	30	10	250
3x16	5	22	18	40	10	160
3x20	5	22	18	40	10	200
3x28	5	22	18	40	10	280
4x18	5	22	18	40	12	180
4x24	5	22	18	40	12	240
4x32	5	22	18	40	12	320
5x18	5	22	18	40	15	180
5x24	5	22	18	40	15	240
5x40	5	22	18	40	15	400
6x22	10	31	26	60	12	220
6x26	10	31	26	60	12	260
6x34	10	31	26	60	12	340
7.5x26	10	31	26	60	16	260
7.5x30	10	31	26	60	16	300
7.5x34	10	31	26	60	16	420
10x30	10	31	26	60	20	300
10x37	10	31	26	60	20	370
10-52	10	31	26	60	20	520
10x37	26	45	35	80	20	370
12x46	26	45	35	80	20	460
22x50	26	45	35	80	26	500
22x62	26	45	35	80	26	620

TWO HOLE ANCHOR



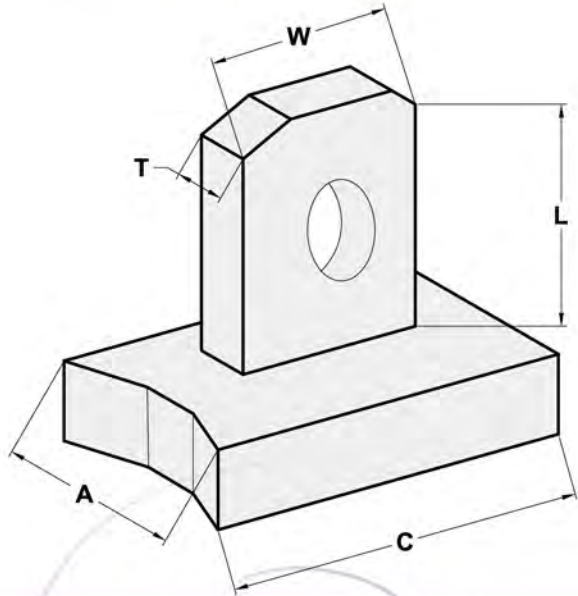
Designation	Load Group	Dimensions (mm)				
Mill Finish	(t)	A	B	C	D	L
1.4x9	2.5	20	14	30	5	90
2x9	2.5	20	14	30	6	90
2.5x9	2.5	20	14	30	8	90
3x9	2.5	20	14	30	10	90
3x12	5	22	18	40	10	120
4x12	5	22	18	40	12	120
5x12	5	22	18	40	15	120
6x16	10	31	26	60	12	160
7.5x16	10	31	26	60	16	160
10x16	10	31	26	60	20	160
14x24	26	45	35	80	20	240

ERECTION ANCHOR



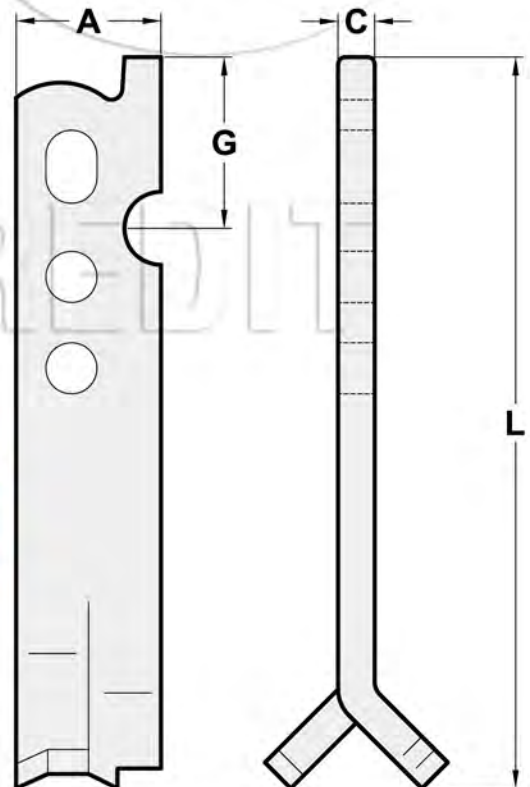
Designation	Load Group	Dimensions (mm)						
Mill Finish	(t)	A	B	C1	D	F1	F2	L
1.4x20	2.5	20	14	55	6	15	15	200
2.5x23	2.5E	20	14	55	10	15	15	230
4x27	5	22	18	70	12	18	18	270
5x29	5	22	18	70	15	18	18	290
7.5x32	10	31	26	95	15	25	25	320
10x39	10	31	26	95	20	25	25	390

REINFORCED PLATE ANCHOR



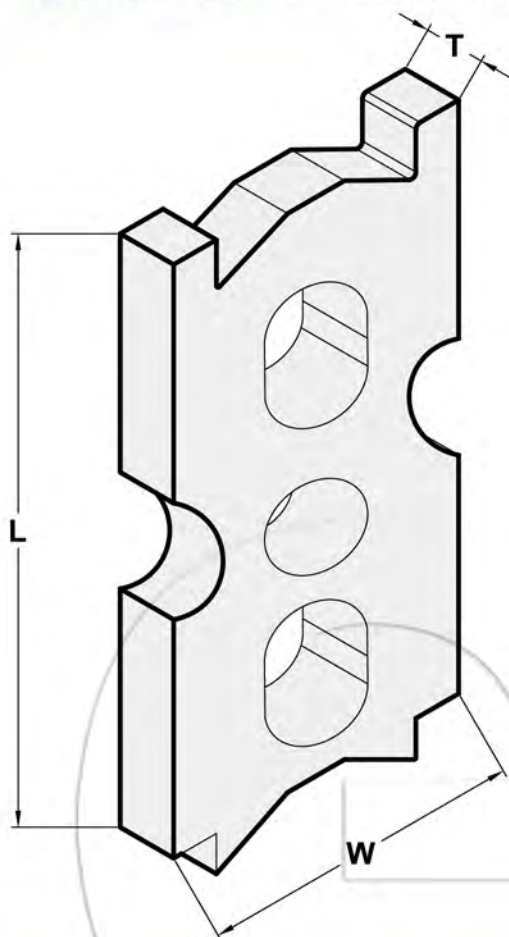
Size (t)	S.W.L (kg)	Dimensions (mm)				
		A	C	W	T	L
2.5T	1814	95	32	32	10	57
5T	3628	76	38	38	13	76
5T	3628	76	38	38	13	89
5T	3628	98	38	38	16	111
10T	4535	32	64	60	20	181

UNILATERAL ERECTION ANCOR



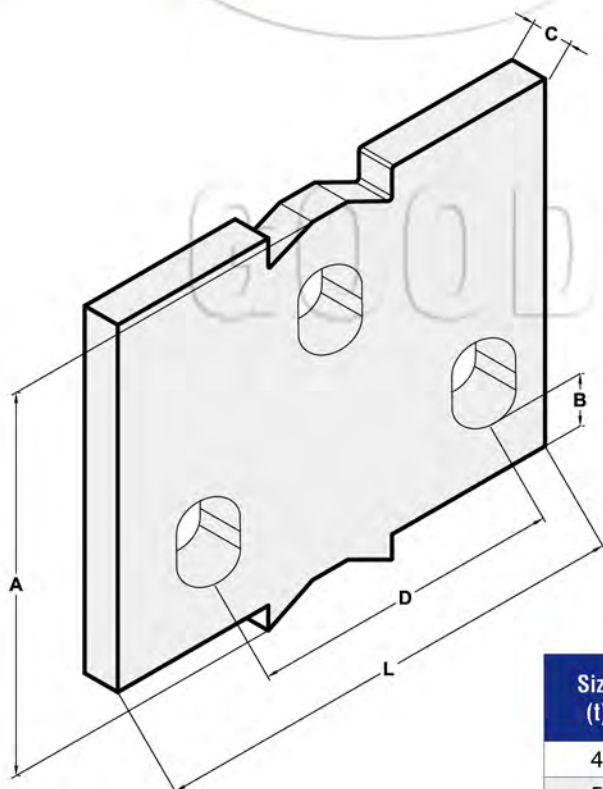
Designation Mill Finish	Load Group (t)	Dimensions (mm)			
		A	C	L	G
1.4x20	2.5	40	6	200	42.2
2.5x23	2.5	40	10	230	42.5
4x27	5	55	12	270	50.5
5x29	5	55	15	290	50.5
7.5x32	10	80	15	320	78
10x39	10	80	20	390	78
12.5x50	26	115	20	500	88.5
17x50	26	115	25	500	88.5
22x50	26	115	30	500	88.5

TWO HOLE ERECTION ANCHOR



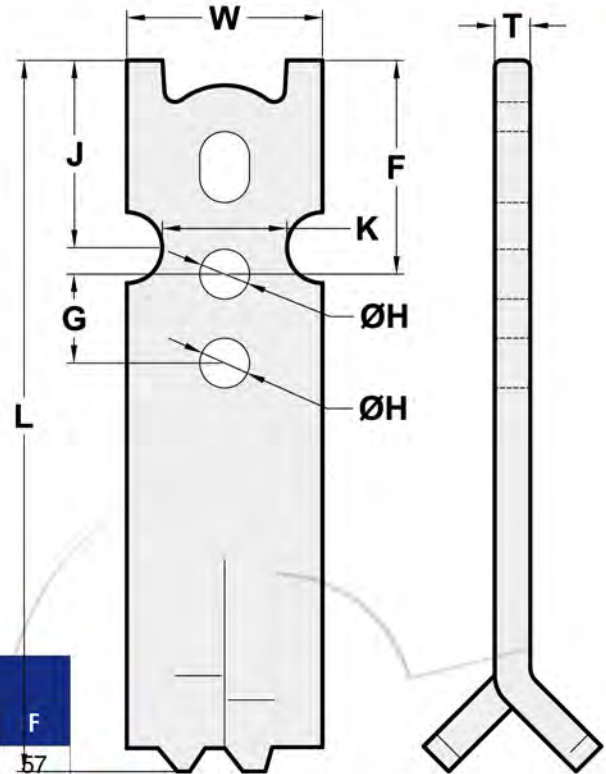
Size (t)	S.W.L (lbs)	Clutch ID	Dimensions (in)		
			L	W	T
2	4000	2-2.5T	4	2	3/8
2.5	5000	2-2.5T	4	2	3/8
4	8000	4-5T	7	2-1/2	5/8
5	10000	4-5T	7	2-1/2	5/8
8	16000	8-10T	7	3-1/2	3/4
8	16000	8-10T	13-1/2	3-1/2	3/4
10	20000	8-10T	7	3-1/2	3/4
10	20000	8-10T	13-1/2	3-1/2	3/4

SANDWICH PANEL ERECTION ANCHOR



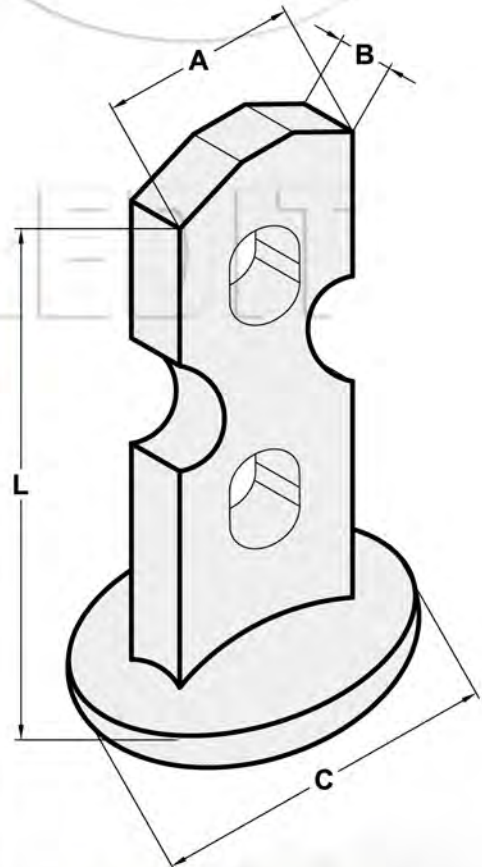
Size (t)	Weight Each (lbs)	Clutch ID	Dimensions (in)				
			A	B	C	D	L
4	3.1	4-5T	3-1/2	1-3/8	5/8	3-3/4	6
5	3.2	4-5T	3-1/2	1-3/8	5/8	3-3/4	6
8	5.25	8-10T	4-3/4	2-29/32	3/4	4	6
10	6.25	8-10T	4-3/4	2-29/32	3/4	4	6

ERECTION ANCHOR



Size	Load Group (t)	Dimensions (mm)							
		L	W	T	J	K	H	G	F
2.5	2.5	203	50	10	46	35	14	29	57
5	5	267	64	16	64	46	46	32	81
7.5	10	325	95	16	62	62	62	44	102
10	10	325	95	20	81	65	65	44	102

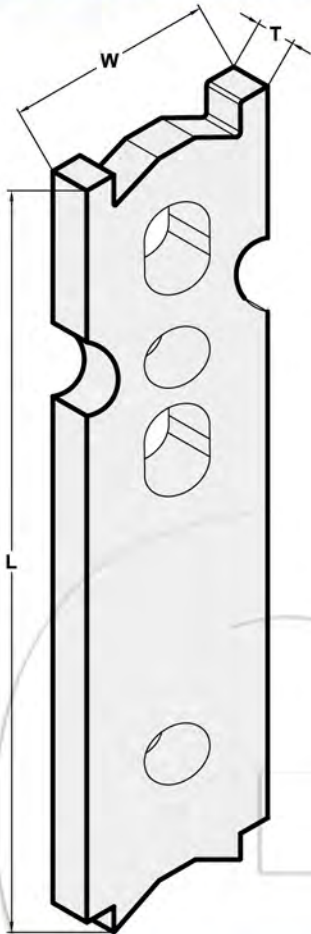
DROP FORGED FOOT ANCHOR



Anchor Tonnage (t)	S.W.L Tension (lbs)	Clutch ID	Dimensions (in)			
			L	A	B	C
2.5	3900	2-2.5T	3-1/2	1-5/16	3/8	1-1/2
2.5	4400	2-2.5T	4	1-5/16	3/8	1-1/2
2.5	4400	2-2.5T	4-1/2	1-5/16	3/8	1-1/2
2.5	4500	2-2.5T	5-1/2	1-5/16	3/8	1-1/2
2.5	5500	2-2.5T	6-3/4	1-5/16	3/8	1-1/2
5	4400	4-5T	3-1/2	1-13/16	5/8	2-1/4
5	6200	4-5T	4-1/2	1-13/16	5/8	2-1/4
5	6200	4-5T	4-3/4	1-13/16	5/8	2-1/4
5	8800	4-5T	5-1/2	1-13/16	5/8	2-1/4
5	11000	4-5T	9-1/2	1-13/16	5/8	2-1/4
10	6200	8-10T	4-3/4	2-5/8	3/4	2-7/8
10	8500	8-10T	5-1/2	2-5/8	3/4	2-7/8
10	12500	8-10T	7	2-5/8	3/4	2-7/8
10	22000	8-10T	10	2-5/8	3/4	2-7/8

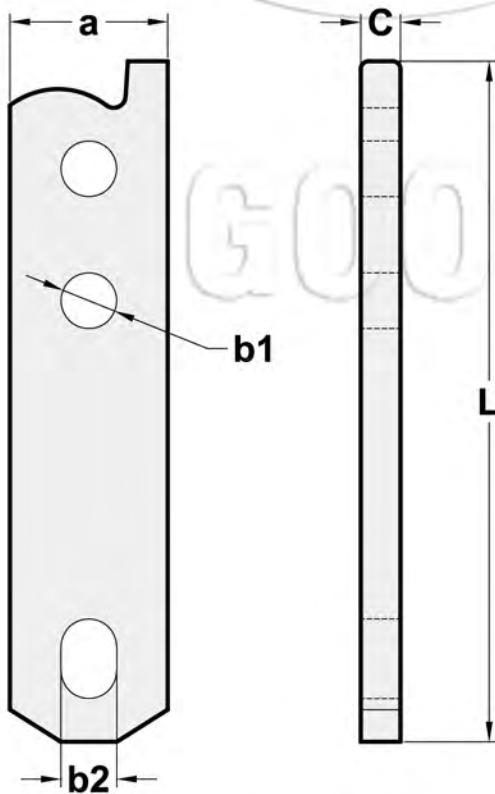
⚠ WARNING Never exceed Working Load Limit

FOOT ERECTION ANCHOR



Anchor Tonnage (t)	S.W.L Tension (lbs)	Clutch ID	Dimensions (in)		
			W	L	T
2T	4000	2-2.5T	2	2	3/8
4T	8000	4-5T	2-1/2	9-1/2	5/8
8T	16000	8-10T	3-1/2	13-1/2	3/4

SANDWICH PANEL ANCHOR

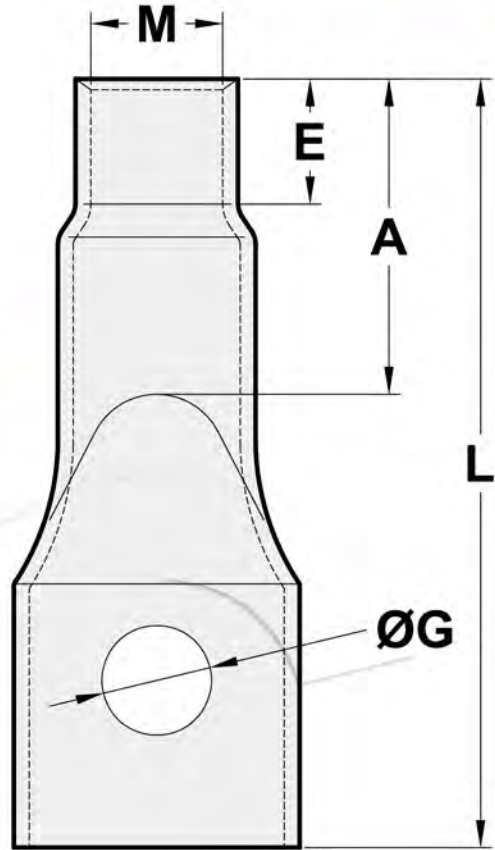


Designation	Load Group	Mill Finish	Load (t)	Dimensions (mm)				
				a	b1	b2	C	L
2.5x25	2.5		2.5	40	14	18	10	250
5x30	5		5	60	17.5	26	16	300
7.5x30	10		10	80	25	35	16	350
10x35	10		10	80	25	35	20	350
17x40	26		26	100	30	35	20	400

FIXING SOCKETS WITH CROSS HOLE



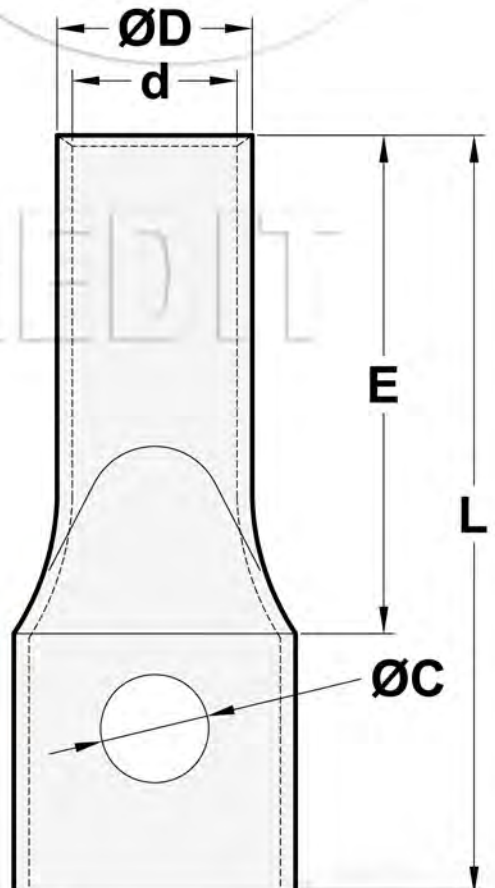
Item Code	Load Group (kg)	Dimensions (mm)				
		M	L	E	A	G
M6×35	300	6	35	6	17	6.2
M8×40	360	8	40	8	20	6.2
M10×45	400	10	45	10	20	6.2
M10×60	400	10	60	10	24	6.2
M12×55	600	12	55	12	25	10.2
M12×65	600	12	65	12	25	10.2
M16×70	950	16	70	16	25	10.2
M16×80	950	16	80	16	25	10.2
M16×100	1100	16	100	16	32	10.2
M16×120	1100	16	120	16	32	10.2
M20×100	1700	20	100	20	40	13.2
M20×120	1700	20	120	20	40	13.2
M24×120	2000	24	120	24	50	13.2
M30×150	2400	30	150	30	70	13.2



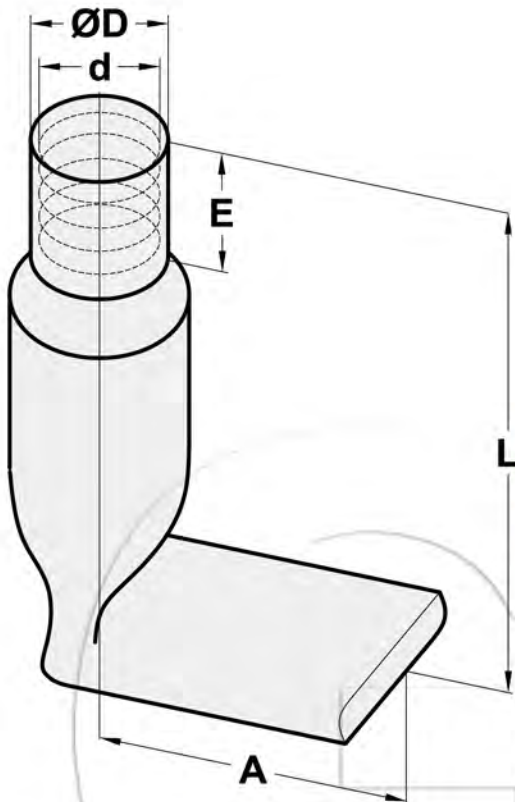
FIXING SOCKETS DOWEL WITH HOLE



Item Code	Load Group (kg)	Dimensions (mm)				
		d	D	L	E	C
M12×50	350	12	15	50	22	10.3
M12×60	500	12	15	60	22	10.3
M16×80	1200	16	21	80	27	13.3
M20×100	2000	20	27.2	100	35	15.3
M24×110	2500	24	31	110	35	17.3
M30×135	4000	30	39.5	135	50	22.5

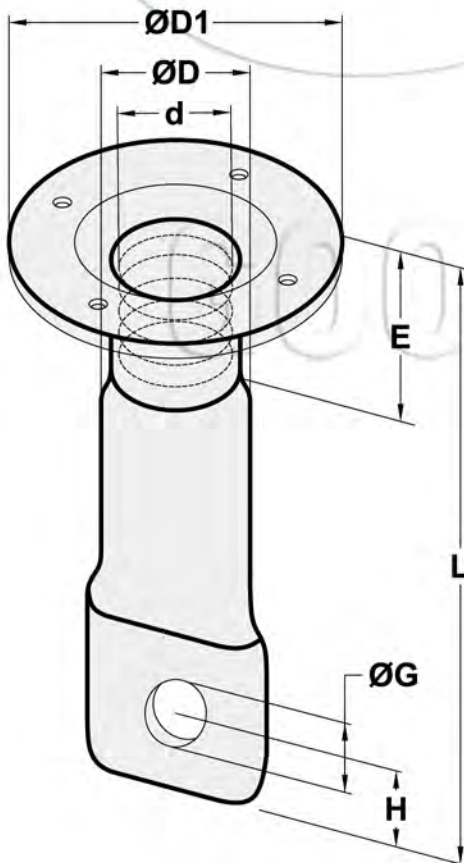


FIXING SOCKETS WITH BENDED END



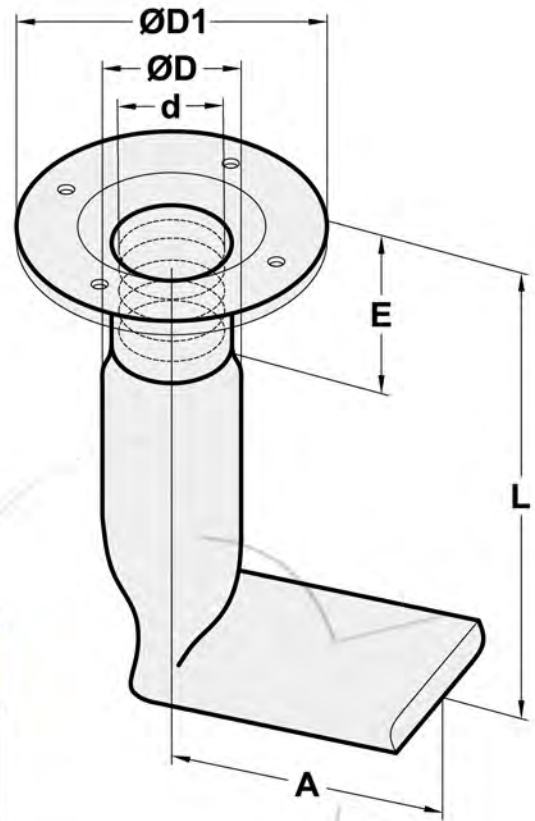
Item Code	SWL (kg)	Dimensions (mm)				
		d	D	L	E	A
M8x50	300	8	11	50	8	20
M10x60	600	10	13	60	10	25
M12x45	400	12	16	45	12	25
M12x70	800	12	16	70	12	30
M16x60	800	16	22	60	16	30
M16x100	1300	16	22	100	16	35
M20x70	1200	20	27	70	20	30
M20x100	1600	20	27	100	20	35
M24x80	1600	24	32	80	24	35

FIXING SOCKETS WITH HOLE AND NAILING PLATE



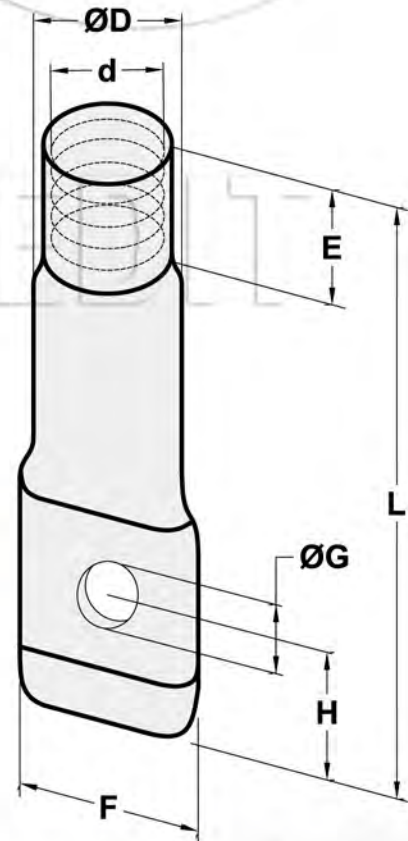
Item Code	SWL (kg)	Dimensions (mm)						
		d	D	D1	E	L	G	H
M10x50	350	10	13	34	10	50	6.2	12
M12x70	500	12	16	40	12	70	7.2	17
M16x80	800	16	22	44	16	80	12.2	22
M16x100	1000	16	22	44	16	100	9.2	22
M20x100	1250	20	27	48	20	100	12.2	22
M24x120	1800	24	32	57	24	120	14.2	25

FIXING SOCKETS WITH BENDED END WITH NAILING PLATE



Item Code	SWL (kg)	d	D	D1	E	L	A
M10×60	600	10	13	34	10	60	25
M12×70	800	12	16	40	12	70	30
M16×100	1300	16	22	44	16	100	35
M20×100	1600	20	27	48	20	100	35

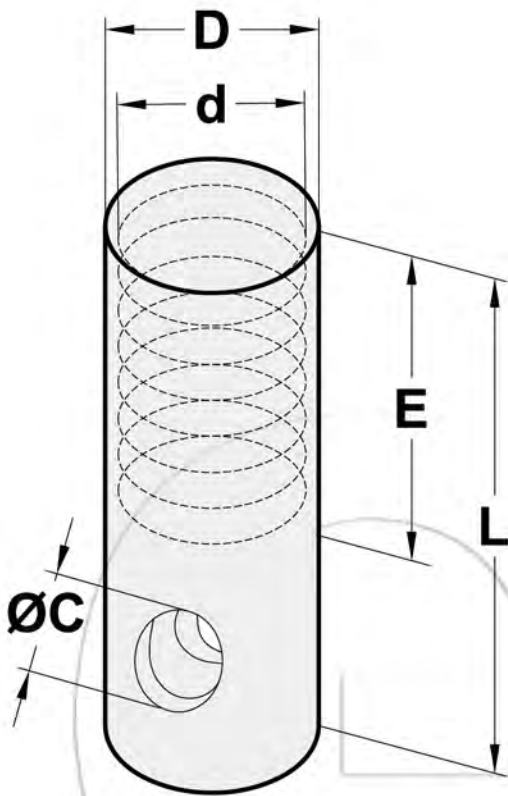
CAST-IN SOCKET WITH CRIMPED END



Item Code	SWL (kg)	d	D	E	L	G	H	F
M8×40	250	8	11	8	40	7	8	16
M8×50	250	8	11	8	50	7	8	16
M10×50	350	10	13	10	50	6.2	11	19
M12×60	500	12	16	12	60	9.2	13	23
M16×80	800	16	22	16	80	12	20	31
M16×100	1000	16	22	16	100	9.2	20	31
M20×100	1250	20	27	20	100	14	23	39
M24×100	1800	24	32	24	120	14	28	45

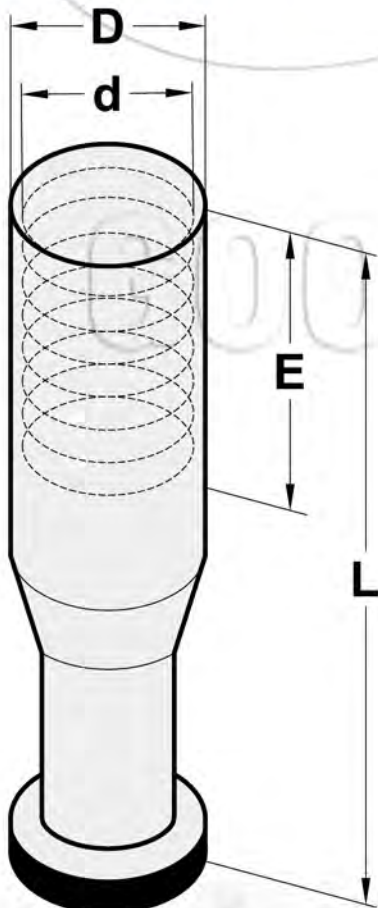
⚠ WARNING Never exceed Working Load Limit

LIFTING ROUND THREAD SOCKET PLATED



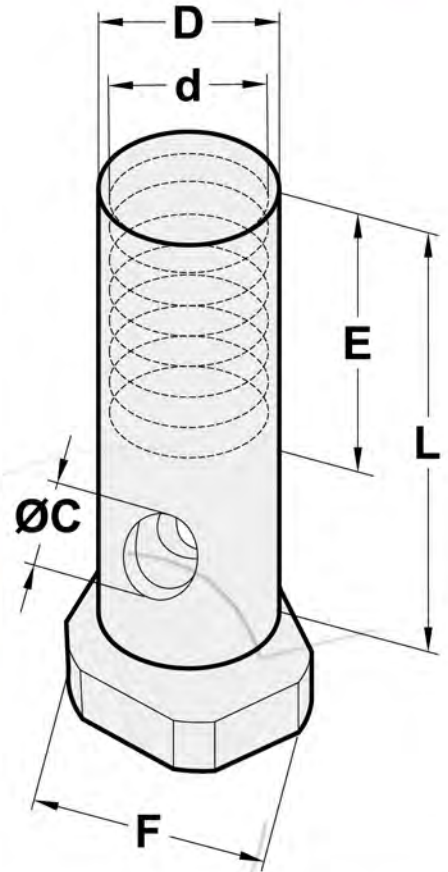
Item Code	SWL (kg)	Dimensions (mm)				
		d	D	C	E	L
M12×40	500	M12×1.75	15	8	20	40
M14×47	800	M14×2	18	11	25	47
M16×55	1200	M16×2	21	13	27	55
M18×65	1600	M18×2.5	24	13	34	65
M20×67	2000	M20×2.5	27.2	15.5	35	67
M24×77	2500	M24×3	31	18	43	77
M30×105	4000	M30×3.5	39.5	22.5	56	105
M35×125	6300	M35×4	47	27	68	125
M42×145	8000	M42×4.5	54	32	80	145
M52×195	12500	M52×5	67.2	40	97	195

CROWN FOOT ANCHOR



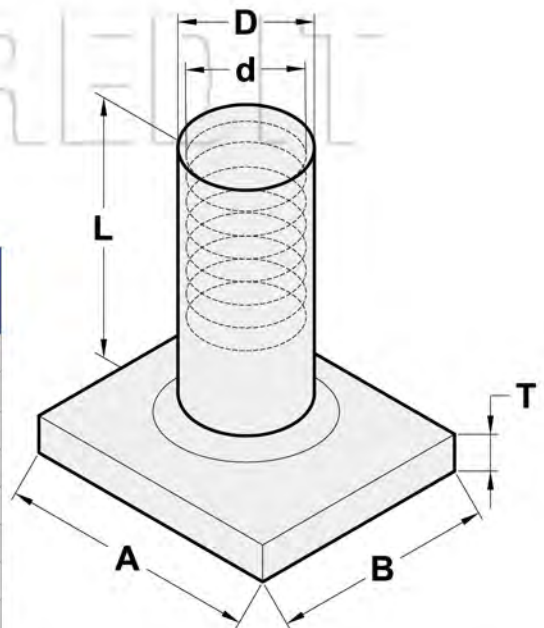
Item Code	SWL (kg)	Dimensions (mm)			
		d	D	E	L
M12×60	500	M12×1.75	17	24	60
M14×70	800	M14×2	19	28	70
M16×80	1200	M16×2	21	32	80
M18×90	1600	M18×2.5	24	36	90
M20×100	2000	M20×2.5	27	40	100
M24×115	2500	M24×3	31	48	115
M30×150	4000	M30×3.5	40	60	150

ELEPHANT FOOT FERRULE



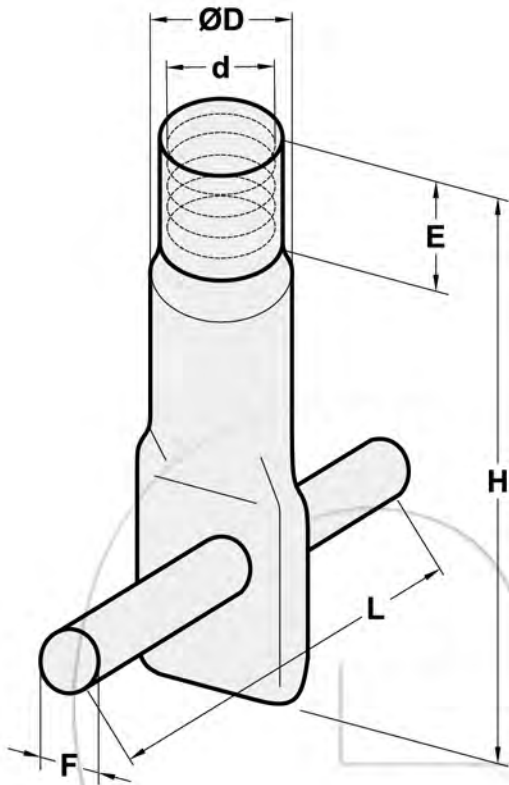
Item Code	SWL (kg)	Dimensions (mm)					
		d	D	C	E	F	L
M10×45	400	10	15	8	18	17	45
M12×75	500	12	17	8	22	21	75
M16×95	1200	16	22	10	25	24	95
M20×95	2000	20	28	10	27	26	95
M24×95	2500	24	32	12	34	33	95
M30×125	3000	30	40	12	35	34	125

FLAT PLATE SOCKET



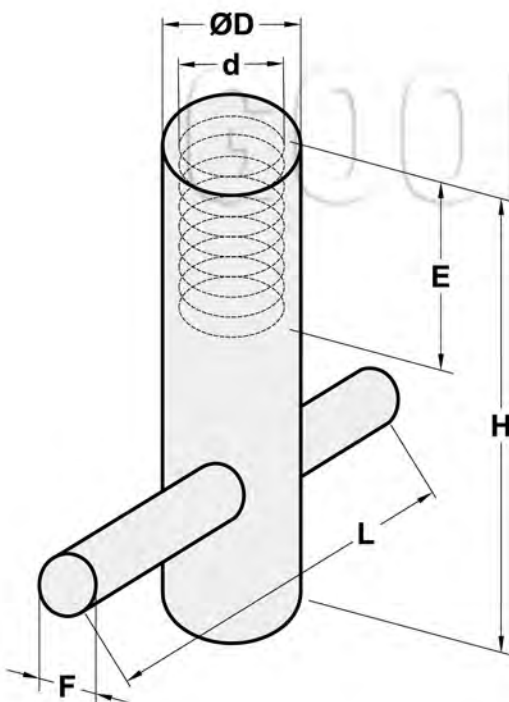
Item Code	SWL (kg)	Dimensions (mm)					
		d	D	A	B	T	L
M12×30	500	M12×1.75	15	25	35	4	30
M14×33	800	M14×2	18	35	35	4	33
M16×35	1200	M16×2	21	35	50	4	35
M18×44	1600	M18×2.5	24	45	60	5	44
M20×47	2000	M20×2.5	27	60	60	5	47
M24×54	2500	M24×3	31	60	80	5	54
M30×72	4000	M30×3.5	40	80	100	6	72
M36×47	6300	M36×4	47	100	130	6	84
M42×54	8000	M42×4.5	54	130	130	8	98
M52×117	12500	M52×5	67	130	150	10	117

FIXING SOCKETS WITH CROSS PIN



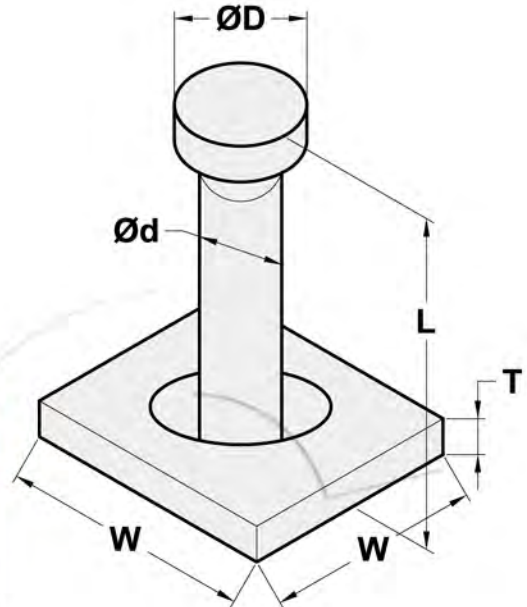
Item Code	WLL (kn)	Dimensions (mm)					
		d	D	E	H	F	L
M12×60	5	12	17	13	60	10	50
M16×80	8	16	22.5	17	80	12	50
M16×100	10	16	22.5	17	100	12	50
M20×95	12	20	27	20	95	14	85
M20×115	13	20	27	20	115	14	85
M24×120	18	24	32	24	120	14	85
M30×150	27.5	30	40	30	150	16	100

FIXING SOCKETS WITH CROSS BAR



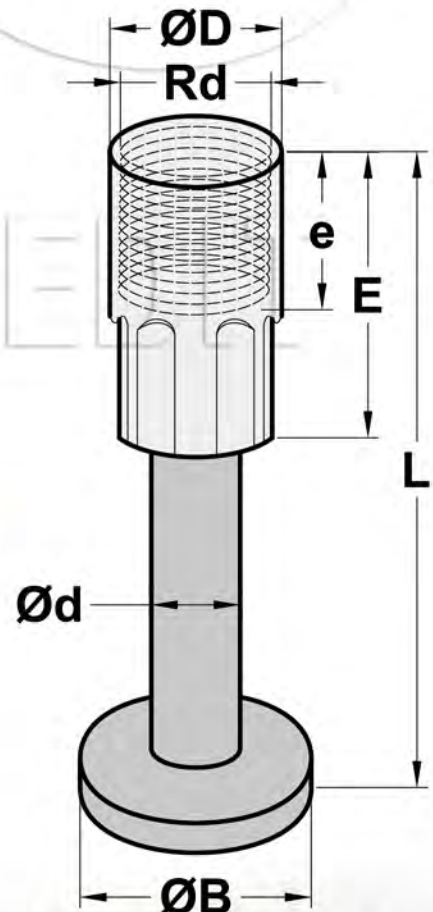
Item Code	WLL (kg)	Dimensions (mm)					
		d	D	E	H	F	L
M10×42	600	10	16	22	42	6/8	50
M12×50	900	12	18	20	50	10	75
M12×75	900	12	18	40	75	10	75
M16×75	1700	16	23	40	75	10/12	75
M20×75	2300	20	28	35	75	12/14	90
M24×100	3000	24	32	55	100	16	100

LIFTING STUD WITH FLAT PLATE



Item Code	Load Group (t)	Dimensions (mm)				
		d	D	T	W	L
2.5x55	2.5	14	26	6	70	55
2.5x120	2.5	14	26	6	70	120
5x55	5	20	36	8	90	55
5x65	5	20	36	8	90	65
5x110	5	20	36	8	90	110
10x115	10	28	46	10	90	115

COMPACT ANCHOR

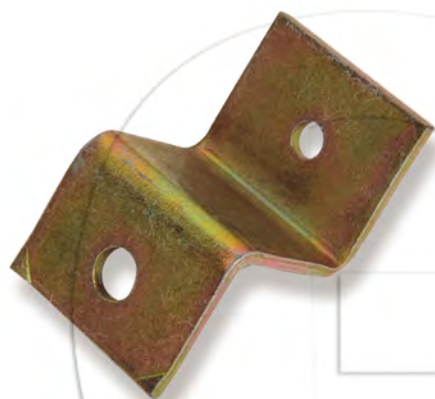


Item Code	WLL (kg)	Dimensions (mm)						
		d	D	Rd	e	E	B	L
M12x100	500	8	17	12	22	43	20	100
M14x155	800	10	18	14	25	45	25	155
M16x175	1200	10	21	16	27	60	25	175
M18x225	1600	14	24	18	35	65	35	225
M20x250	2000	14	27	20	35	67	35	250
M24x275	2500	14	31	24	43	75	35	275
M30x350	4000	20	40	30	56	90	50	350
M36x450	6300	25	48	36	68	105	60	450
M42x500	8000	28	54	42	75	125	70	500

If you are in need of other types
not listed in our catalogue
please contact our sales department.









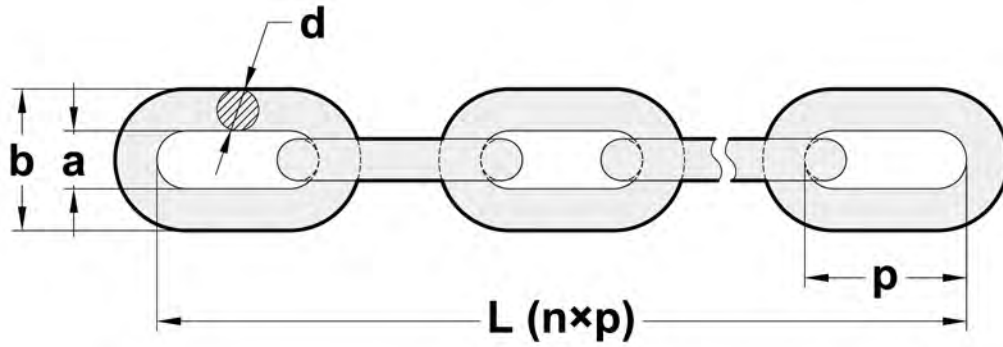
GOODCREDIT





GOODCREDIT





•The design of new efficient anticorrosive processing, makes our products have over 3 years service life.

SHORT LINK CHAIN

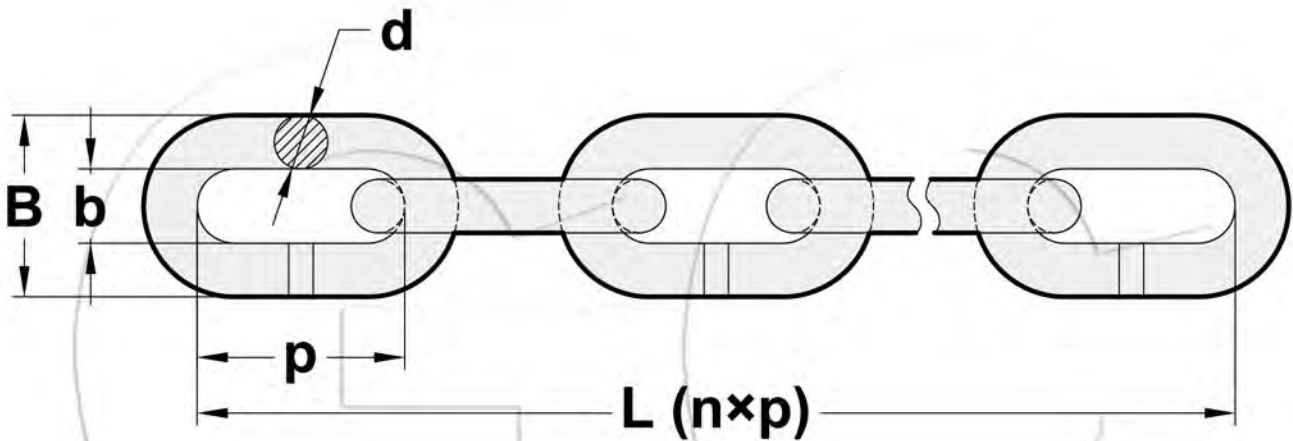
Size d x p mm	Width (mm)		Weight kg/m	Breaking Load min. kN
	Inside min. a	Inside min. b		
7 x 21	10	25.5	1.05	60
10 x 30	14	36	2.2	125
13 x 39	18.1	47.1	3.8	214
16 x 48	22.4	57.4	5.63	320
19 x 57	27.8	68.8	7.81	450
20 x 60	29	72	8.52	500

MID LINK CHAIN

Size d x p mm	Width (mm)		Weight kg/m	Breaking Load min. kN
	Inside min. a	Inside min. b		
13x52	19.5	48.5	3.31	214
16 x 64	24	59	4.97	320
19x76	28.5	69.5	6.92	450
22x86	27	74	9.5	610
26 x 92	31	86	13.7	850

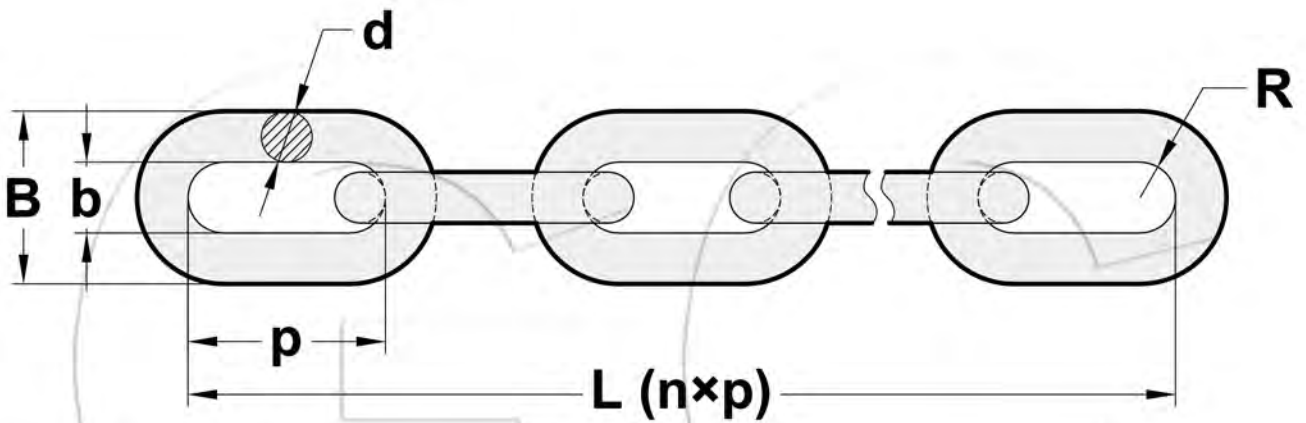
LONG LINK CHAIN

Size d x p mm	Width (mm)		Weight kg/m	Breaking Load min. kN
	Inside min. a	Inside min. b		
11x63	18	43	2.16	152
13 x 80	22	51	2.93	214
16x100	26	61	4.34	320
19 x 100	27	68	6.31	450
22 x 100	37	84	8.74	610



- Material: Carbon steel.
- Standard: ISO3077, EN818-2, AS2321.
- Grade: 80, 70.
- Finish: self-coloured or galvanized.

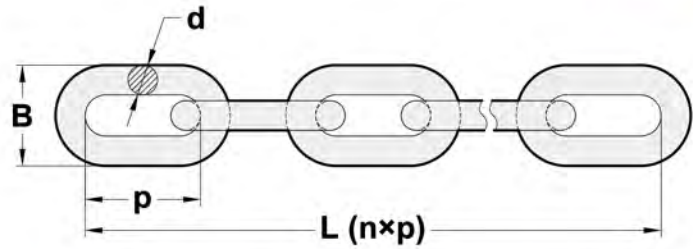
Size d × P (mm)	Weight (kg)/m	Inside Length P	Min Inside Width b	Max Outside Width B	Working Load Limit (kn)*	Test Load (kn)	Breaking Load (kn)
6 × 18	0.79	18	7.5	21	11	27	45.2
7 × 21	1.07	21	9	24.5	15	37	61.6
8 × 24	1.38	24	10	28	20	48	80.4
9 × 27	1.9	27	11.5	30	24.5	61	102
10 × 30	2.2	30	12.5	35	32	76	125
12 × 36	3.3	36	15.5	42.2	49	117	196
13 × 39	3.8	39	16.3	46	50	128	214
14 × 42	4.13	42	18	49	63	150	250
16 × 48	5.63	48	20	56	80	192	320
18 × 54	6.85	54	23	63	100	246	410
20 × 60	8.6	60	25	70	125	300	500
22 × 66	10.5	66	28	77	153	366	610
24 × 72	12.78	72	32	82	180	432	720
26 × 78	14.87	78	35	91	213	510	650
30 × 90	19.6	90	38	105	283	678	1130
32 × 96	22.29	96	40	106	322	772	1289
34 × 102	25.5	102	46.5	121.5	363	870	1450
36 × 108	31	108	49.5	128.5	407	978	1630
38 × 114	32	114	52	136	453	1086	1810
42 × 126	38.6	126	55.5	144.5	554	1332	2200



- Material: Carbon steel (Cr,Ni,Mo etc.).
- Standard: ISO-610-1990(E),DIN22252:2001-09,GB/T12718-2009,PN-G-46701:1997
- Tension Grade: B,C,D.
- Finish: self-coloured, dipping paint or galvanized.

Size d × P (mm)	Diameter d	Inside Length P	Circle Radius R	Min Inside Width b	Max Outside Width B	Test Load (kn)	Breaking Load (kn)	Grade
10 × 40	10 ± 0.4	40 ± 0.5	15	12	34	85	110	B
						100	130	C
14 × 50	14 ± 0.4	50 ± 0.5	22	17	48	150	190	B
						200	250	C
18 × 64	18 ± 0.4	64 ± 0.6	28	21	60	260	320	B
						330	410	C
22 × 86	22 ± 0.5	86 ± 0.9	34	26	74	380	480	B
						490	610	C
26 × 92	26 ± 0.8	92 ± 0.9	40	30	86	540	670	B
						680	850	C
30 × 108	30 ± 0.9	108 ± 1.0	46	34	98	710	890	B
						900	1130	C
34 × 126	34 ± 1.0	126 ± 1.2	52	38	109	900	1140	B
						1160	1450	C
38 × 137	38 ± 1.1	137 ± 1.4	28	42	123	1450	1810	C
				42	110			
42 × 146	42 ± 1.3	146 ± 1.5	64	46	135	1770	2220	C
				46	115			
48 × 152	48 ± 1.5	152 ± 1.5	78	62	163	1850	2900	C
				56	127			

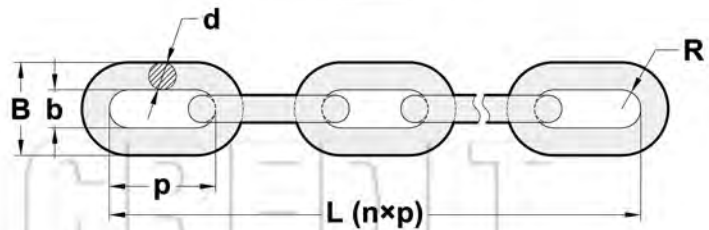
LASHING CHAIN



- Material: 20Mn₂, 20MnV, 25MnV.
- Finish: self-coloured or galvanized.

Size d (mm)	Weight (kg/m)	Inside Length P	Outside Width B	Proof Load (kn)	Breaking Load (kn)
9	1.42	53	33	49	98
10(A)	1.75	65	42	63	125
10(B)	1.8	53	35	63	125
11	2.18	64	40	73.5	147
12	2.58	64	42	73.58	147
13(A)	3.05	82	54.6	95	190
13(B)	3.01	80	48	95	190
14	3.55	80	50	100	200
16	4.58	96	57	136	273
19	7.64	100	67.2	160	320

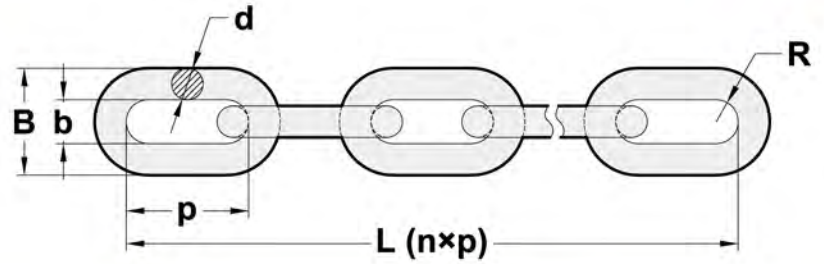
THREE LINK CHIAN FOR MINING



- Material: Carbon steel.
- Standard: ISO, DIN, BS, JIS, GB etc.
- Tension Grade: B, C.
- Finish: self-coloured or galvanized.

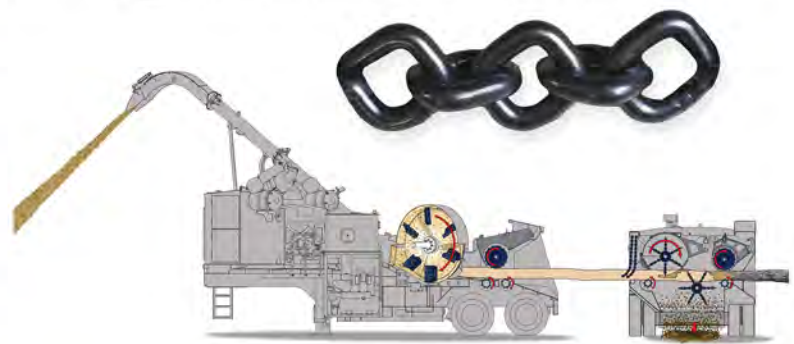
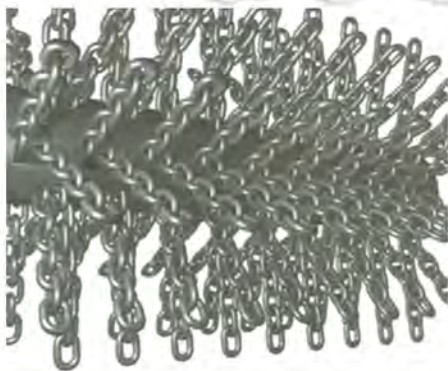
Size d x P (mm)	Diameter d	Inside Length P	Circle Radius R	Min Inside Width b	Max Outside Width B	Test Load (kn)	Breaking Load (kn)	Weight (kg/m)
22 x 105	22	105	41	40	87	70	370	2.9
26 x 118	26	118	48	46	102	100	520	4.6
28 x 120	28	120	51	48	108	110	610	6.7
30 x 120	30	120	53	48	112	120	670	7.8
30 x 130	30	130	56.5	55	119	120	670	6.9
32 x 140	32	140	60	58	126	140	790	9.9
34 x 147	34	147	65	64	136	160	890	10.1
38 x 145	38	145	77	80	160	200	1110	13.65

FISHING CHAIN



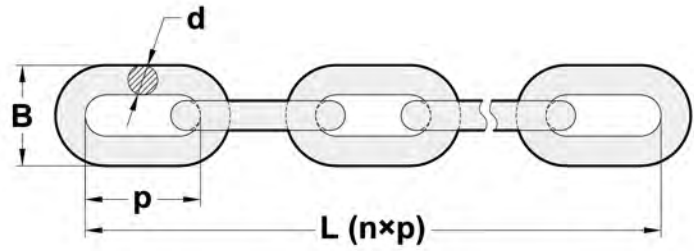
Kinds of Chain	Size d × P (mm)	Width (mm)		Weight (kg/m)	Breaking Load (kn)
		Inside Width b	Outside Width B		
Short link Chain	7 × 21	10	25.5	1.05	60
	10 × 30	14	36	2.2	125
	13 × 39	18.1	47.1	3.8	214
	16 × 48	22.4	57.4	5.63	320
	19 × 59	27.8	68.8	7.81	450
	20 × 60	29	72	8.52	500
Mid Link Chain	10 × 40	15	37	1.9	125
	13 × 52	19.5	48.5	3.31	214
	14 × 50	18.5	49.5	4	250
	16 × 64	24	59	4.97	320
	19 × 76	28.5	69.5	6.92	450
	22 × 86	27	74	9.5	610
	26 × 92	31	86	13.7	850
Long Link Chain	7 × 45	10	25.5	0.82	60
	9 × 53	15	35	1.36	100
	11 × 63	18	43	2.16	152
	13 × 80	22	51	2.93	214
	16 × 100	26	61	4.34	320
	19 × 100	27	68	6.31	450
	22 × 120	37	84	8.94	610
	28 × 150	44	103	14.41	980

DEBARKING CHAIN



Number of Links	Material Diameter (in.)	Inside Links Dimensions (in.)	Working Length (in.)	Pieces/Drum	Weight/Drum (lbs.)
8	0.63	0.95 × 1.68	14.07	250	1158
9	0.63	0.95 × 1.68	15.75	200	1034
10	0.63	0.95 × 1.68	17.43	150	1155

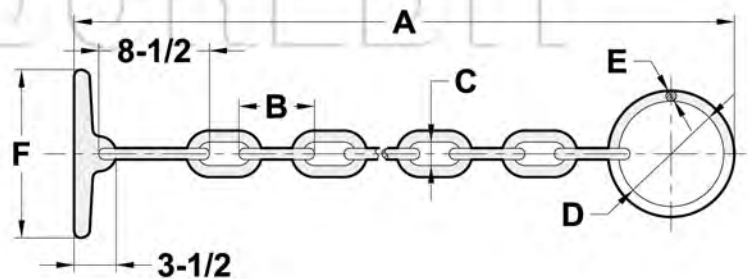
HATCH BOARD CHAIN



- Material: 20Mn₂, 20MNV, 25MNV.
- Finish: self-coloured or galvanized.

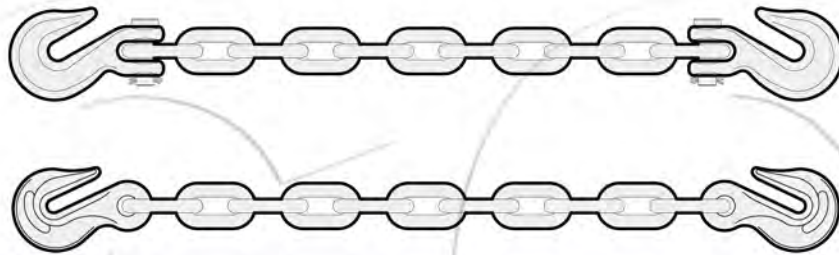
Size d (mm)	Weight (kg/m)	Inside Length P	Outside Width B	Proof Load (kn)	Breaking Load (kn)
11	2.39	43	12.5	57	116
14(A)	3.95	50	17	97	194
14(B)	4.32	42	18	97	194
15	5.2	42	21	106	212
16(A)	5.34	55	22	128	254
16(B)	5.29	55	18	128	254
18(A)	7.12	54	54	161	322
18(B)	6.32	64	64	161	322
19	7.6	57	57	164	330
20(A)	9.5	60	60	129	359
20(B)	8.57	62	62	179	359
22(A)	9.86	78	78	240	480
22(B)	9.24	86	86	240	480
22(C)	10.6	66	66	240	480
30	18.22	108	108	399	798

BOOM CHAIN



Nominal Size (in.)	Weight Each (kg)	Average Minimum Beaking Strength (lbs)	Dimensions (in.)					
			A(ft)	B	C	D	E	F
3/4	37	50000	7	4-1/2	2-5/8	5-1/2	1	12
7/8	53	70000	7	5-1/4	3-1/8	6	1-1/8	12
1	65	90000	7	6	3-1/2	8	1-1/8	12

CHAIN WITH CLEVIS / EYE GRAB HOOKS ON BOTH END



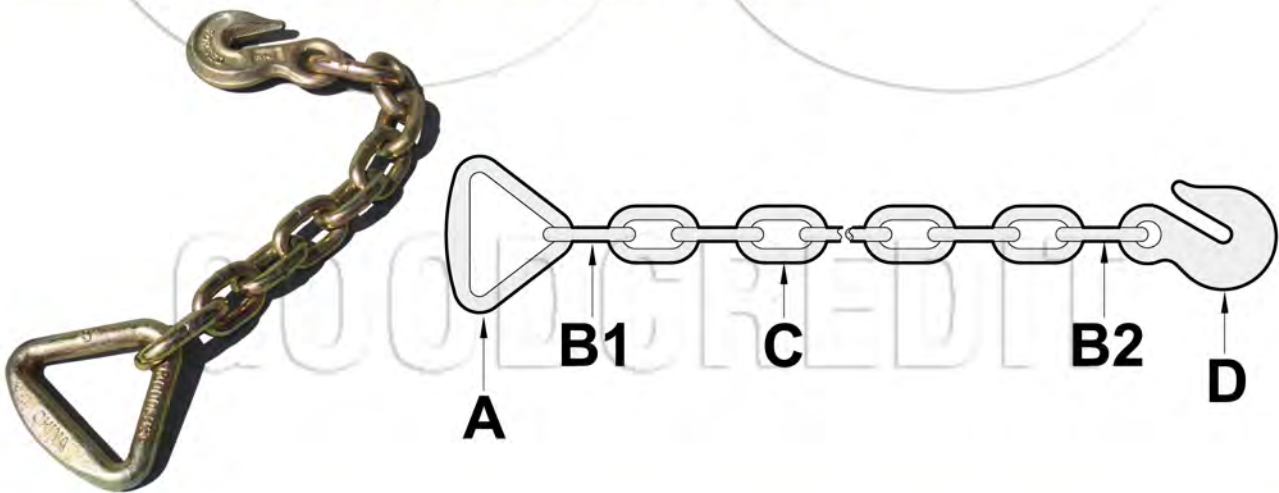
Size (in.)	ASTM1980			NACM1990			NACM1996/2010			Pc/Drum
	WT (kg)	WL (lbs.)	BL (lbs.)	WT (kg)	WL (lbs.)	BL (lbs.)	WT (kg)	WL (lbs.)	BL (lbs.)	
GRADE 43										
1/4 × 14FT	5.0	2600	7750	4.5	2600	7500	4.5	2600	7800	50
1/4 × 16FT	6.0	2600	7750	5.0	2600	7500	5.0	2600	7800	40
5/16 × 14FT	7.5	3900	11600	6.0	3900	9700	7.0	3900	11700	35
5/16 × 16FT	8.5	3900	11600	6.5	3900	9700	8.0	3900	11700	30
5/16 × 18FT	9.5	3900	11600	7.5	3900	9700	9.0	3900	11700	30
5/16 × 20FT	10.5	3900	11600	8.0	3900	9700	9.5	3900	11700	25
5/16 × 25FT	13.0	3900	11600	10.0	3900	9700	12.0	3900	11700	20
5/16 × 30FT	15.5	3900	11600	12.0	3900	9700	14.0	3900	11700	20
3/8 × 14FT	10.5	5400	16200	9.5	5400	15200	10.0	5400	16200	25
3/8 × 16FT	12.0	5400	16200	11.0	5400	15200	11.5	5400	16200	25
3/8 × 20FT	15.0	5400	16200	13.5	5400	15200	13.5	5400	16200	20
3/8 × 25FT	18.5	5400	16200	16.5	5400	15200	17.5	5400	16200	15
3/8 × 30FT	27.0	9200	27600	23.5	9200	25700	24.7	9200	27600	10
GRADE 70										
1/4 × 14FT	5.0	3150	12600	4.5	3150	12100	4.0	3150	12600	50
1/4 × 16FT	6.0	3150	12600	5.0	3150	12100	5.0	3150	12600	40
5/16 × 14FT	7.5	4700	18800	6.0	4700	18800	7.0	4700	18800	35
5/16 × 16FT	8.5	4700	18800	6.5	4700	18800	8.0	4700	18800	30
5/16 × 18FT	9.5	4700	18800	7.5	4700	18800	9.0	4700	18800	30
5/16 × 20FT	10.5	4700	18800	8.0	4700	18800	10.0	4700	18800	25
5/16 × 25FT	13.0	4700	18800	10.0	4700	18800	12.0	4700	18800	20
5/16 × 30FT	15.5	4700	18800	12.0	4700	18800	14.5	4700	18800	20
3/8 × 14FT	10.5	6600	26400	9.5	6600	24700	10.0	6600	26400	25
3/8 × 16FT	12.0	6600	26400	11.0	6600	24700	11.5	6600	26400	20
3/8 × 20FT	15.0	6600	26400	13.5	6600	24700	14.5	6600	26400	20
3/8 × 25FT	18.5	6600	26400	16.5	6600	24700	18.0	6600	26400	15
1/2 × 20FT	26.0	11300	45200	23	11300	45200	24.5	11300	45200	10
1/2 × 25FT	32.5	11300	45200	28	11300	41800	30	11300	45200	8

USA STANDARD CHAIN WITH S HOOKS



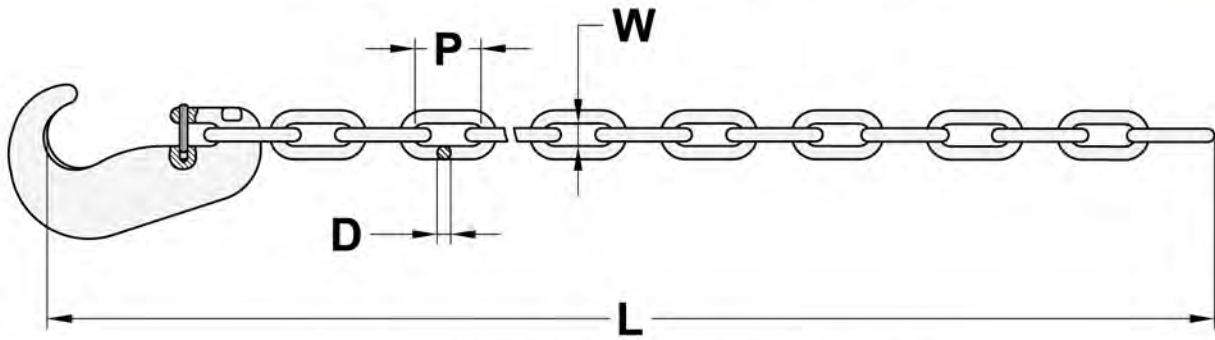
Size (in.)	ASTM80			NACM90			NACM96		
	WT (kg)	WL (lbs.)	BL (lbs.)	WT (kg)	WL (lbs.)	BL (lbs.)	WT (kg)	WL (lbs.)	BL (lbs.)
3/16 × 48	0.8	800	3200	0.8	800	3200	0.8	800	3200
1/4 × 48	1.5	1330	5300	1.4	1300	5200	1.4	1300	5200
5/16 × 48	2.2	2000	8000	1.9	1900	6800	2.2	1900	7600

CHAIN WITH DELTA RING AND HOOK EACH ONE END

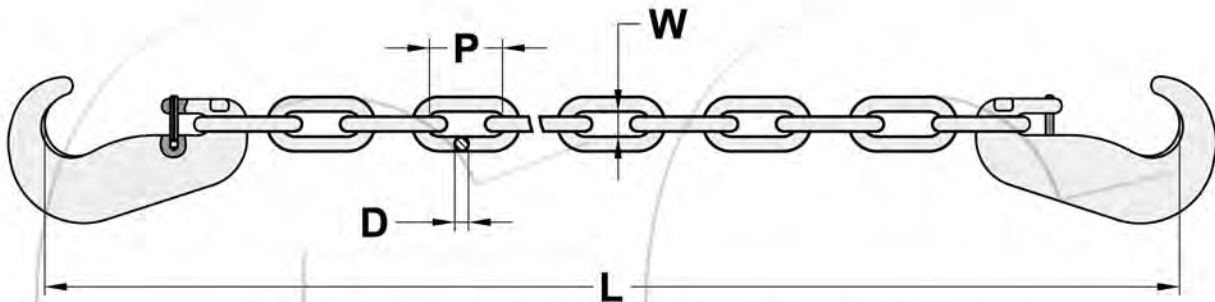


A (in.)	B1 (in.)	C (in.)	B2 (in.)	D (in.)	Length (in.)	Weight Each (kg)	Breaking Load (lbs.)	PC/Bag
2	3/8	5/16 × 11L	3/8	5/16	18	1.17	10000	50
2	3/8	5/16 × 11L	3/8	3/8	18	1.17	10000	50
3	7/16	5/16 × 10L	7/16	5/16	18	1.32	16200	35
3	7/16	3/8 × 9L	7/16	3/8	18	1.48	16200	35
3	7/16	3/8 × 5L	7/16	3/8	12	1.28	16200	35
4	7/16	3/8 × 9L	7/16	3/8	18	1.68	20000	35
*	3/8	5/16 × 11L	3/8	5/16	18	1.30	11000	35
*	7/16	3/8 × 9L	7/16	3/8	18	1.35	16200	35

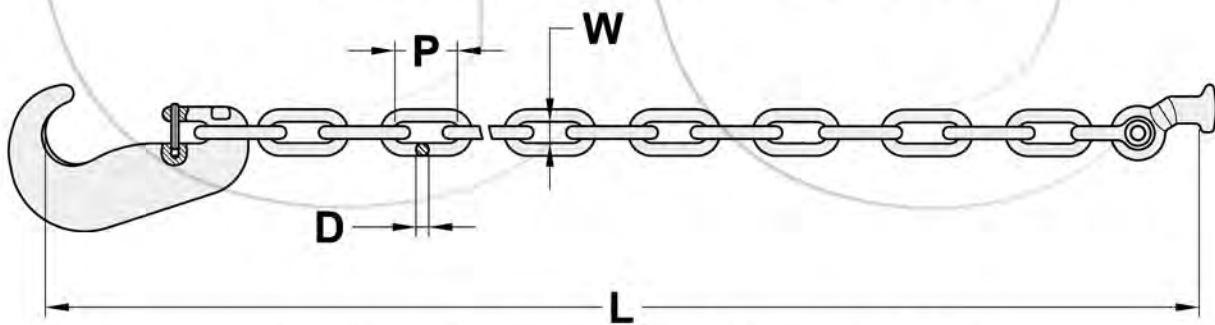
Lashing chain with single C HOOK



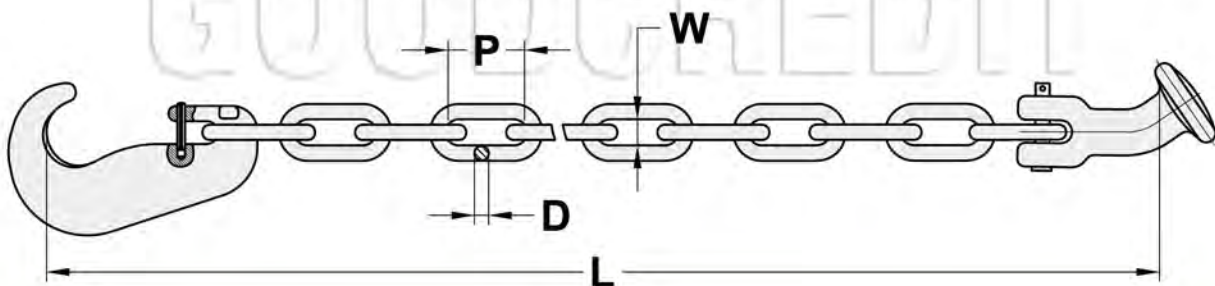
Lashing chain with C HOOK / C HOOK



Lashing chain with C HOOK / EL FOOT

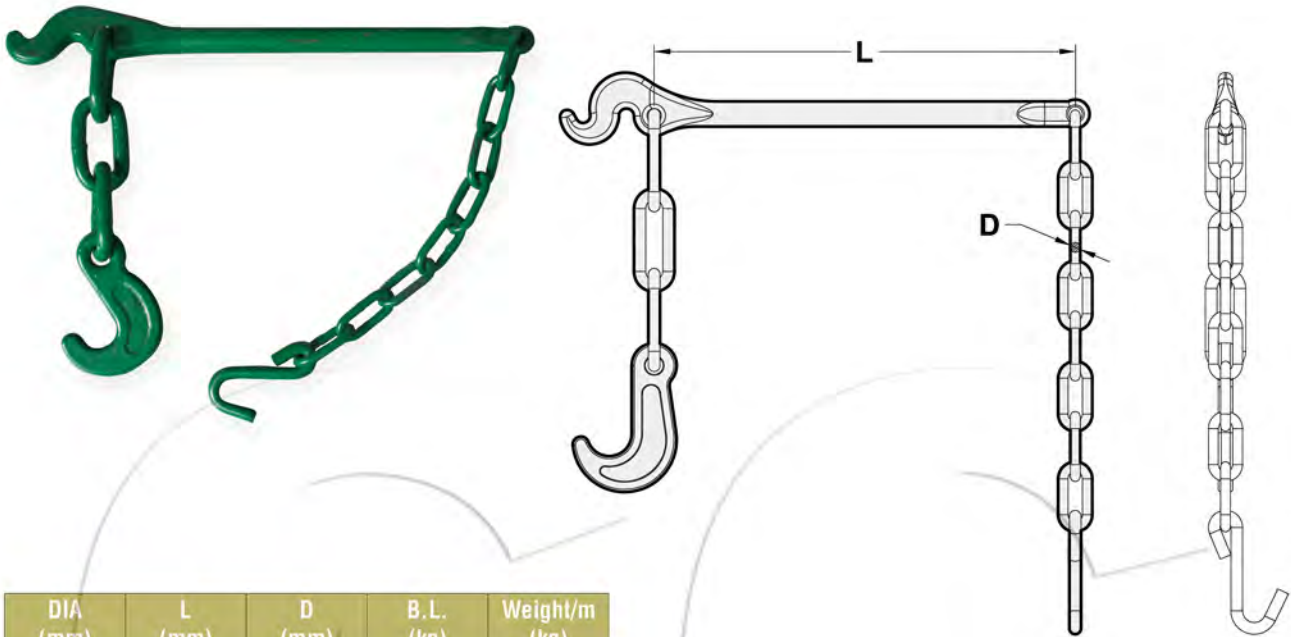


Lashing chain with C HOOK / EL FOOT



DIA (mm)	P (mm)	W (mm)	B.L. (kn)	Weight/m (kg)
13	80	22	200	3
11	65	20	150	2.2
9	56	15	100	1.6

TENSION LEVER



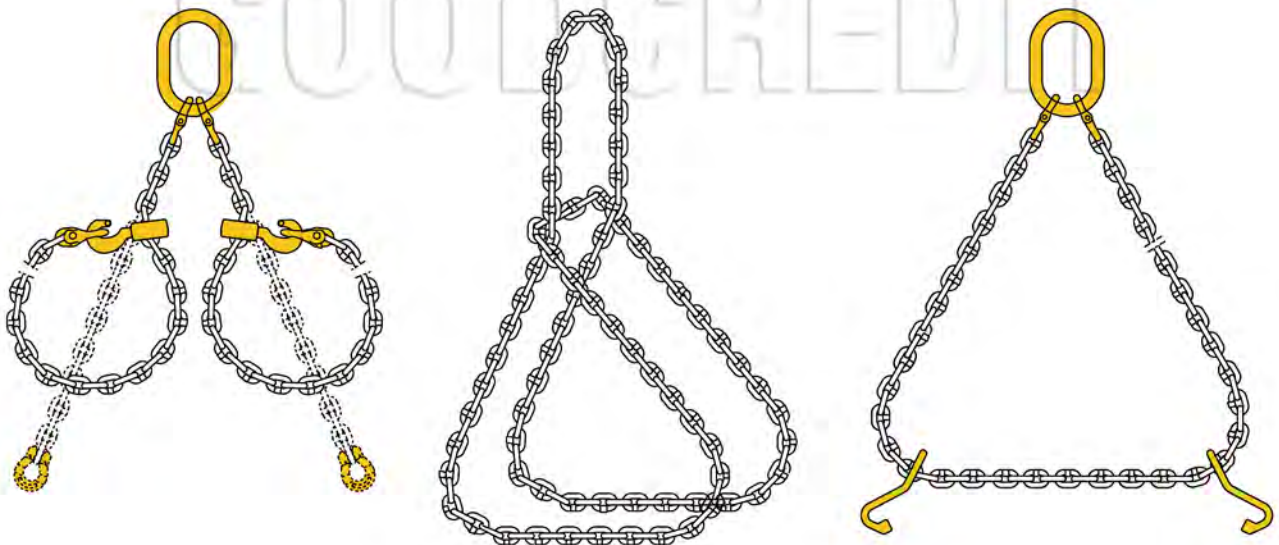
DIA (mm)	L (mm)	D (mm)	B.L. (kn)	Weight/m (kg)
13	485	14	200	6
11	496	13	150	4.5
9	480	12	100	4

CHAIN WITH GRAB HOOK AND CLEVIS PEAR LINK



Size (in.)	Weight Each (kg)	Dimensions (mm)							
		A	B	C	D	E	F	G	H
5/16	13	12	32	55	43	59.5	128.5	12	12
3/8	16	16	39	56	55	83	154	16	14

EXAMPLE OF CHAIN SLINGS



EXAMPLE OF WIRE ROPE SLING & WEB SLING

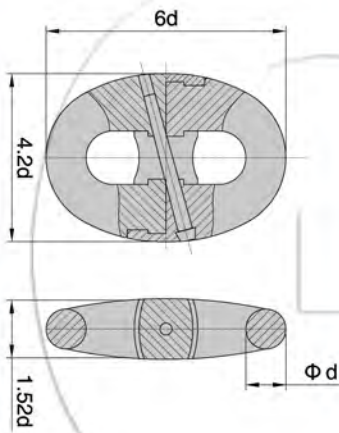




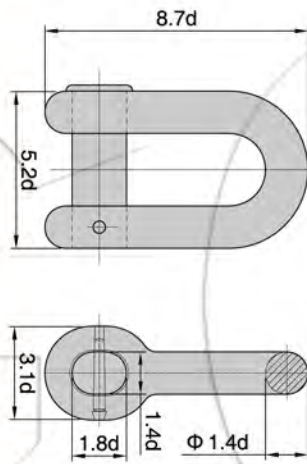
DRAWING OF PRODUCTS



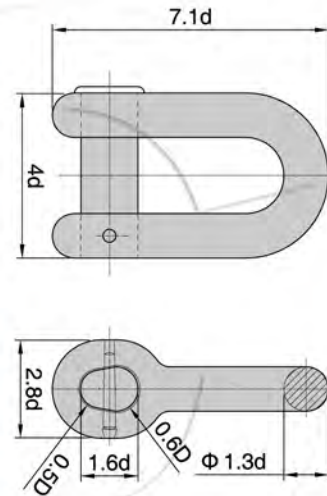
KENTER SHACKLE = KS



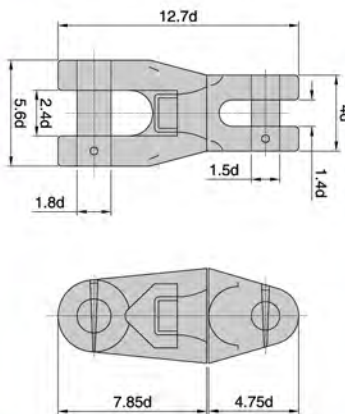
ANCHOR SHACKLE = A.S



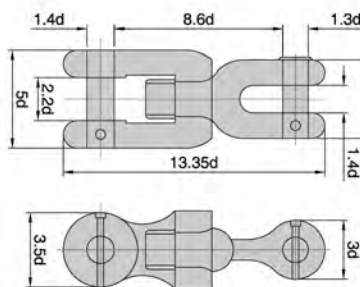
JOINING SHACKLE = JS



ANCHOR SWIVEL SHACKLE
(a) = A.SW.Sb(a)



ANCHOR SWIVEL SHACKLE
(b) = A.SW.Sb(b)



Buoy Shackle Type "A"

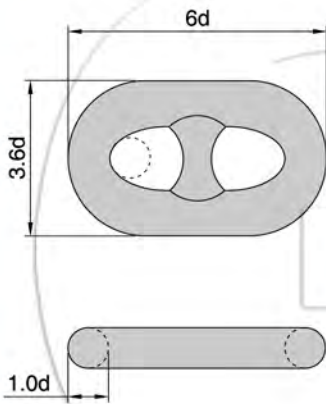


Buoy Shackle Type "B"

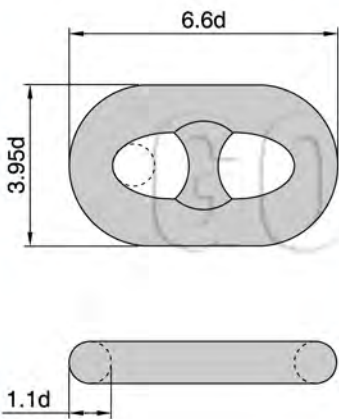
DRAWING OF PRODUCTS



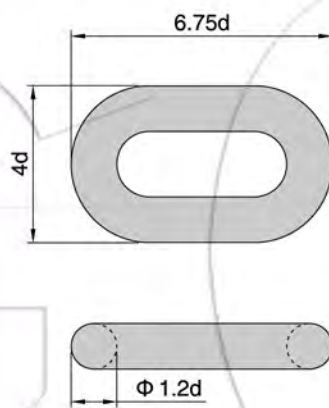
COMMON LINK = C



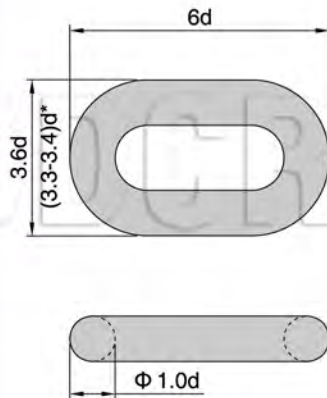
ENLARGED LINK = EL



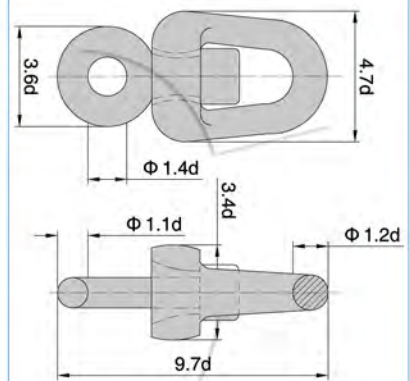
END LINK = E



STUDLESS LINK = SL



SWIVEL = SW



PEAR SHAPED LINK



TRIANGLE PLATE = TP

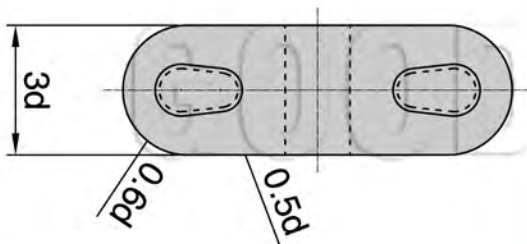
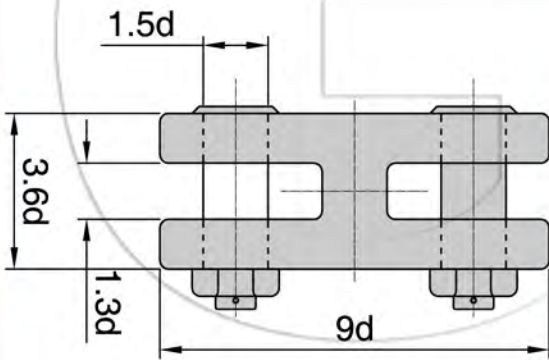


ROUND LINK = RL

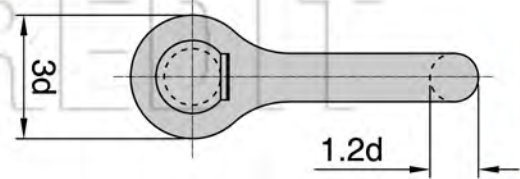
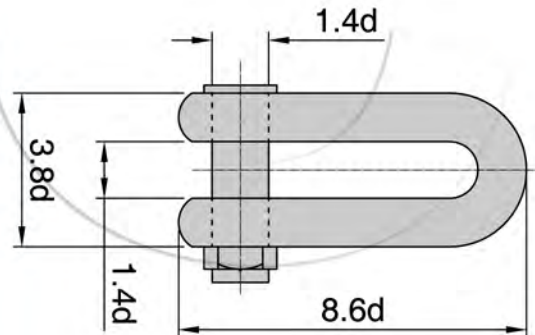
DRAWING OF PRODUCTS



LTM H-TYPE JOINING SHACKLE = LTM HJS



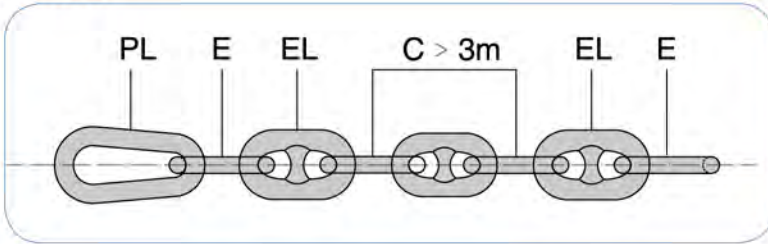
LTM END JOINING SHACKLE = LTM EJS



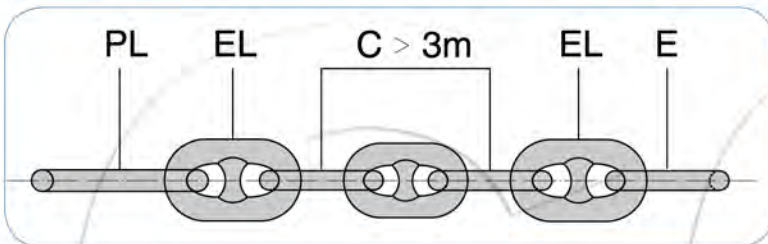
PEAR SHAPED KENTER SHACKLE

DRAWING OF PRODUCTS

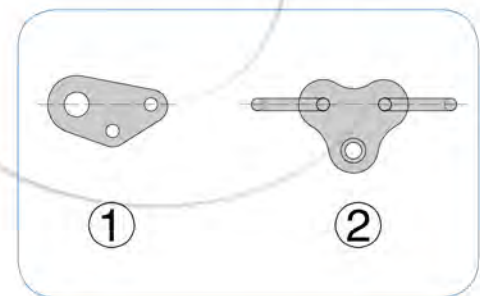
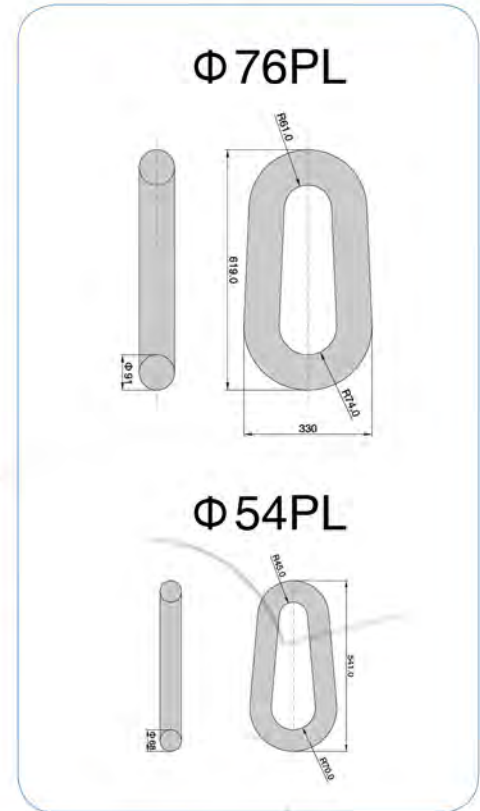
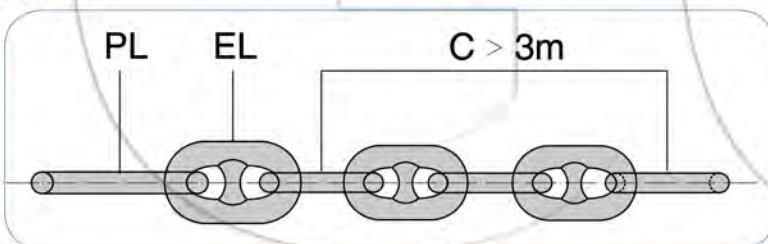
22cc



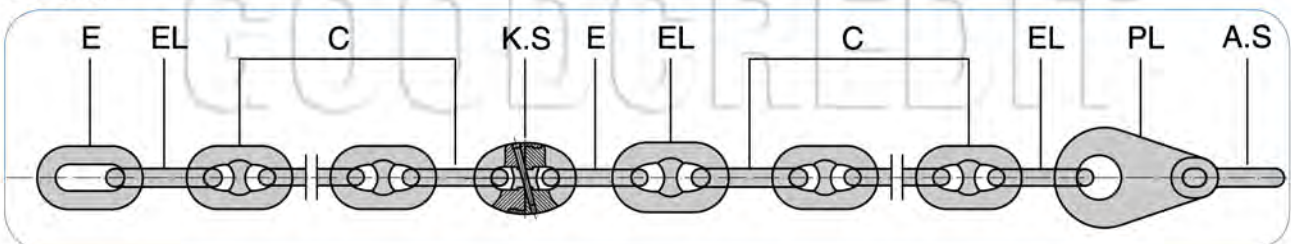
23cc



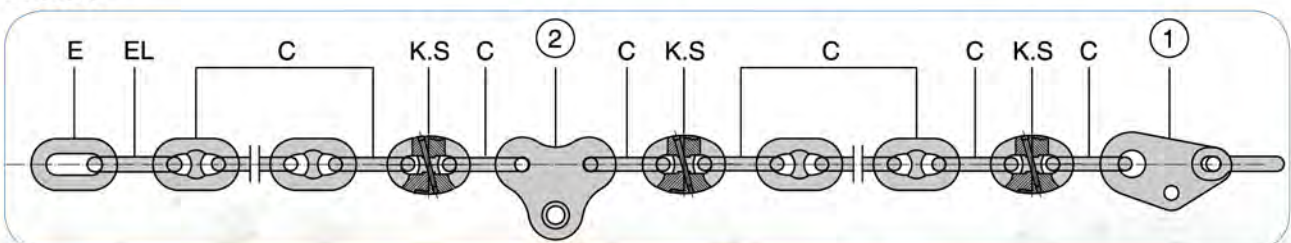
24cc



25cc



26cc



TEST LOAD OF ANCHOR CHAIN AND ACCESSORIES & MOORING CHAIN

DIAMETER OF CHAIN	ANCHOR CHAIN				OFFSHORE MOORING CHAIN										
	ABS,BV,CCS,CR,DNV,GL, KR,LR,NK,RINA,RMRS				API		ABS	DNV	ABS/DNV	ABS/DNV			ABS/DNV		
							C/EL/E	C/EL/E/SL	C/EL/E/SL	C/EL/E	SL	C/EL/E/SL	C/EL/E	SL	C/EL/E/SL
	GRADE 2		GRADE 3		OPQ		RO3	NVR3/RO3	NVR3/RO3	RO3S/NVR3S			RQ4/NVR4		
	PL C=0.098	BL C=0.0137	PL C=0.0137	BL C=0.0196	PL C=0.014	BL C=0.0211	PL C=0.0148	PL C=0.0148	BL C=0.0223	PL C=0.0180	PL C=0.0174	BL C=0.0249	PL C=0.0216	PL C=0.0192	BL C=0.0274
mm	KN	KN	KN	KN	KN	KN	KN	KN	KN	KN	KN	KN	KN	KN	KN
12.5	66	92	92	132											
14	82	116	116	165	---	---	---	---	---	---	---	---	---	---	---
16	107	150	150	216	---	---	---	---	---	---	---	---	---	---	---
17.5	127	179	179	256	---	---	---	---	---	---	---	---	---	---	---
19	150	211	211	301	---	---	---	---	---	---	---	---	---	---	---
20.5	175	244	244	349	---	---	---	---	---	---	---	---	---	---	---
22	200	280	280	401	---	---	---	---	---	---	---	---	---	---	---
24	237	332	332	476	---	---	---	---	---	---	---	---	---	---	---
26	278	389	389	556	---	---	---	---	---	---	---	---	---	---	---
28	321	449	449	642	---	---	---	---	---	---	---	---	---	---	---
30	368	514	514	735	---	---	---	---	---	---	---	---	---	---	---
32	417	583	593	833	---	---	---	---	---	---	---	---	---	---	---
34	468	655	655	937	668	1007	706	745	1064	859	831	1188	1031	916	1308
36	523	732	732	1050	746	1124	789	832	1189	960	928	1327	1151	1022	1460
38	581	812	812	1160	828	1248	876	923	1319	1065	1029	1473	1278	1135	1621
40	640	896	896	1280	914	1376	967	1019	1456	1176	1136	1626	1411	1253	1789
42	703	981	981	1400	999	1513	1056	1114	1592	1285	1242	1777	1542	1370	1956
44	768	1080	1080	1540	1097	1654	1160	1223	1748	1411	1364	1951	1693	1503	2147
46	837	1170	1170	1680	1194	1800	1263	1331	1902	1535	1484	2124	1843	1636	2337
48	908	1270	1270	1810	1295	1952	1369	1443	2063	1665	1610	2304	2037	1775	2535
50	981	1370	1370	1960	1400	2110	1480	1561	2230	1800	1743	2490	2160	1918	2740
52	1060	1480	1480	2110	1508	2273	1594	1682	2402	1939	1877	2682	2327	2066	2952
54	1140	1590	1590	2270	1620	2441	1712	1806	2580	2083	2017	2881	2499	2219	3170
56	1220	1710	1710	2430	1735	2615	1834	1935	2764	2231	2160	3086	2677	2378	3396
58	1290	1810	1810	2600	1851	2794	1960	2068	2953	2383	2308	3297	2860	2540	3628
60	1380	1940	1940	2770	1976	2978	2089	2203	3147	2540	2460	3514	3048	2708	3867
62	1470	2060	2060	2940	2101	3166	2221	2343	3347	2701	2616	3737	3242	2879	4112
64	1560	2190	2190	3130	2230	3360	2357	2486	3551	2867	2776	3965	3440	3055	4364
66	1660	2310	2310	3300	2361	3559	2496	2633	3761	3036	2940	4200	3643	3235	4621
68	1750	2450	2450	3500	2496	3762	2639	2784	3976	3209	3108	4440	3851	3420	4885
70	1840	2580	2580	3690	2631	3970	2785	2938	4196	3387	3289	4685	4064	3610	5156

TEST LOAD OF ANCHOR CHAIN AND ACCESSORIES & MOORING CHAIN

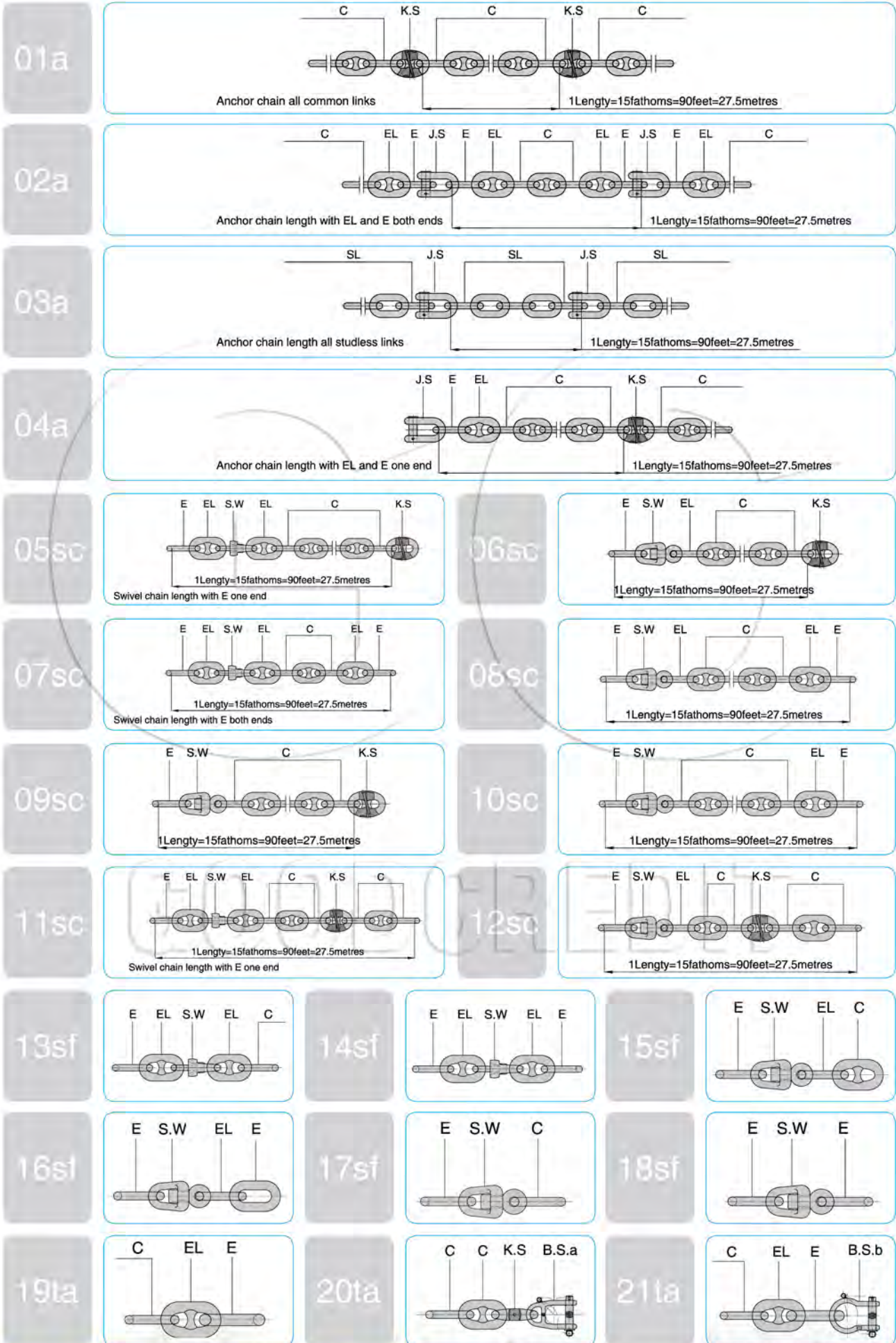
DIAMETER OF CHAIN	ANCHOR CHAIN				OFFSHORE MOORING CHAIN											
	ABS, BV, CCS, CR, DNV, GL, KR, LR, NK, RINA, RMRS				API		ABS	DNV	ABS/DNV	ABS/DNV			ABS/DNV			
	GRADE 2		GRADE 3		OFG		RO3	NVR3/RO3	NVR3/RO3	RO3S/NVR3S			RO4/NVR4			
	PL C=0.088	BL C=0.0137	PL C=0.0137	BL C=0.0198	PL C=0.014	BL C=0.0211	PL C=0.0148	PL C=0.0148	BL C=0.0223	PL C=0.0180	PL C=0.0174	BL C=0.0249	PL C=0.0216	PL C=0.0192	BL C=0.0274	
	mm	KN	KN	KN	KN	KN	KN	KN	KN	KN	KN	KN	KN	KN	KN	
73	1990	2790	2790	3990	2847	4291	3010	3175	4535	3660	3545	5064	4392	3900	5572	
76	2150	3010	3010	4300	3066	4621	3242	3419	4884	3942	3818	5454	4731	4206	6001	
78	2260	3160	3160	4500	3216	4847	3400	3587	5123	4135	4004	5720	4962	4411	6295	
81	2410	3380	3380	4820	3446	5194	3643	3843	5490	4431	4291	6130	5317	4727	6745	
84	2580	3610	3610	5160	3683	5550	3893	4107	5866	4725	4585	6550	5682	5051	7208	
87	2750	3850	3850	5500	3925	5916	4149	4377	6252	5046	4887	6981	6056	5383	7682	
90	2920	4090	4090	5840	4173	6289	4412	4653	6647	5365	5196	7422	6439	5724	8167	
92	3040	4260	4260	6080	4242	6544	4590	4842	6916	5582	5405	7722	6699	5955	8497	
95	3230	4510	4510	6440	4599	6932	4862	5128	7326	5913	5726	8180	7096	6308	9001	
97	3340	4680	4680	6690	4774	7195	5047	5323	7604	6138	5943	8490	7365	6547	9343	
100	3530	4940	4940	7060	5040	7596	5328	5620	8028	6480	6275	8964	7776	6912	9864	
102	3660	5120	5120	7320	5220	7868	5519	5821	8315	6712	6500	9285	8054	7160	10217	
105	3850	5390	5390	7700	5495	8282	5809	6128	8753	7065	6842	9773	8478	7536	10754	
107	3980	5570	5570	7960	5681	8561	6005	6334	9048	7304	7072	10103	8764	7791	11118	
111	4250	5940	5940	8480	6058	9130	6401	6755	9650	7789	7543	10775	9347	8309	11856	
114	4440	6230	6230	8890	6346	9565	6709	7077	10109	8159	7901	11287	9791	8704	12420	
117	4650	6510	6510	9300	6639	10005	7018	7402	10574	8535	8265	11807	10242	9105	12993	
120	4850	6810	6810	9720	6953	10452	7331	7733	11047	8916	8634	12334	10700	9511	13573	
122	5000	7000	7000	9990	7135	10753	7542	7956	11365	9173	8883	12690	11008	9785	13964	
124	5140	7200	7200	10280	7336	11057	7755	8175	11688	9433	9134	13048	11319	10062	14358	
127	5350	7490	7490	10710	7641	11516	8078	8515	12172	9825	9514	13951	11790	10480	14955	
130	5570	7800	7800	11140	7950	11981	8404	8858	12663	10222	9898	14140	12266	10903	15559	
132	5720	8000	8000	11420	8157	12294	8623	9090	12994	10488	10157	14509	12586	11187	15965	
137	6080	8510	8510	12160	8682	13085	9178	9674	13829	11163	10809	15442	13395	11907	16992	
142	6450	9030	9030	12910	9214	13887	9740	10268	14677	11847	11472	16389	14217	12637	18034	
147	6840	9560	9560	13660	9753	14670	10310	10869	15536	12540	12144	17348	15049	13377	19089	
152	7220	10100	10100	14430	10299	15522	10887	11477	16405	13242	12823	18318	15890	14125	20157	
157	7600	10640	10640	15200	11126	16768	11762	12090	17282	13950	13508	19297	16740	14880	21234	
162	7990	11180	11180	15980	11405	17189	12057	12708	18166	14663	14199	20284	17596	15641	22320	

NOTE: TEST LOAD = $c \times d^2$ (44-0.08xd)

TEST LOAD OF STUDLESS CHAIN

DIAMETER OF CHAIN	GRADE 1		GRADE 2		GRADE 3		APPROX. MASS (22.5m)
	PL	BL	PL	BL	PL	BL	
mm	KN	KN	KN	KN	KN	KN	Kg
6	6.62	13.32	9.30	18.60			21.45
7	9.02	18.13	12.60	25.20			29.15
8	11.78	23.68	16.50	33.00			38.23
9	14.90	29.97	20.90	41.80			48.40
10	18.40	37.00	25.80	51.60			59.68
11	22.26	44.70	31.20	62.40			72.33
12.5	28.75	57.81	41.20	82.60			93.5
14	34.78	69.93	51.00	101.90			117.15
16	47.10	94.72	66.20	132.30	92.42	184.83	152.9
17.5	56.35	113.31	78.89	157.78	110.55	221.10	182.8
19	66.42	133.57	93.60	187.20	130.32	260.64	249.5
20.5	77.33	155.49	108.64	217.27	151.70	303.42	275.4
22	89.06	179.08	125.40	250.90	174.40	349.40	328.6
24	105.98	213.25	149.90	298.90	207.90	415.80	385.0
26	124.38	250.12	175.40	350.80	244.00	488.80	449.1
28	144.26	290.08	203.80	406.70	283.00	566.00	516.7
30	165.60	333.00	234.20	467.50	324.90	649.80	589.4
32	188.42	378.88	265.60	531.20	369.60	739.30	664.6
34	212.70	427.72	299.90	599.80	417.30	834.60	752.9
36	238.46	479.52	336.10	672.30	467.80	935.70	861.2
38	265.70	534.28	374.40	748.70	521.30	1042.50	957.5
40	249.40	592.00	414.50	829.10	577.60	1155.20	1056.2
42	324.58	652.68	457.70	915.30	636.80	1273.60	1166.5
44	356.22	716.32	502.70	999.60	698.90	1398.00	1270.4
46	389.34	782.92	548.80	1097.6	763.90	1527.80	1396.6
48	423.94	852.48	597.80	1195.6	831.70	1663.50	1520.6
50	460.00	926.09	648.80	1239.6	902.50	1805.00	1650.0

ARRANGEMENT OF ANCHOR CHAIN

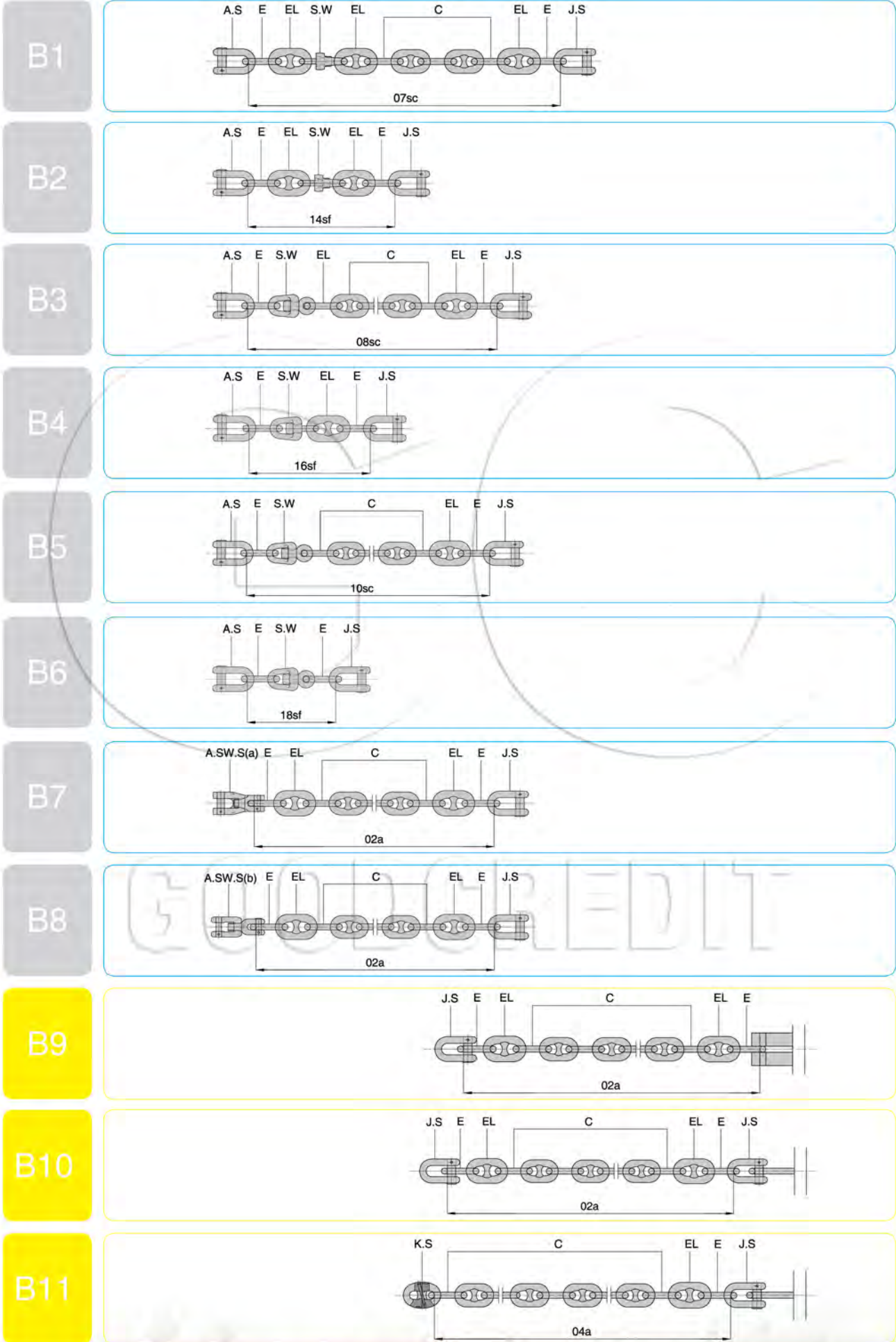


JOINING FORMS (K.S.) TO ANCHOR AND LOKER ENDS

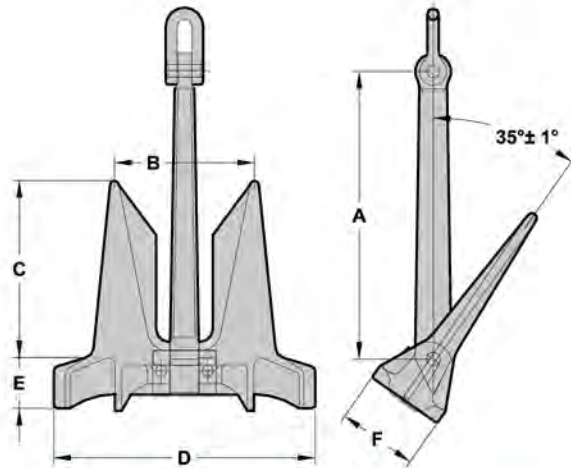
GOODCREDIT



JOINING FORMS (J.S) TO ANCHOR AND LOKER ENDS



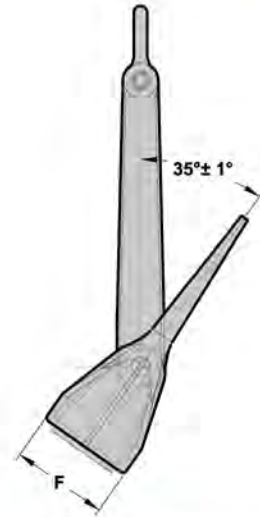
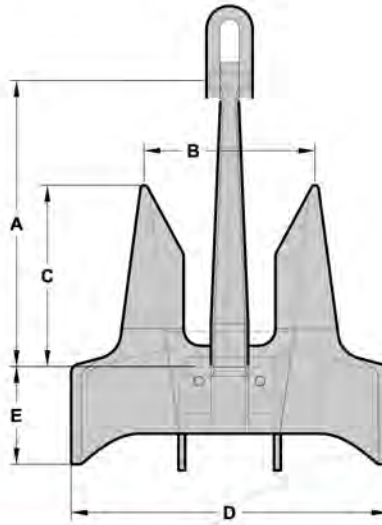
AC-14 HHP ANCHOR



Nominal Weight (kg)	Size (mm)					
	A	B	C	D	E	F
30	491	236	299	440	85	136
45	590	283	359	529	99	164
75	677	324	411	605	122	188
94	718	344	437	643	130	199
113	745	357	452	666	135	207
135	821	394	500	737	143	228
180	904	434	550	811	157	251
225	974	468	593	874	169	270
270	1035	497	630	929	180	287
315	1090	524	663	978	189	302
360	1139	547	694	1022	198	316
428	1194	574	727	1071	206	331
495	1251	602	762	1122	216	347
585	1360	654	828	1221	236	378
675	1398	672	851	1254	242	387
765	1483	698	885	1304	264	404
855	1520	729	925	1363	267	423
968	1590	764	968	1425	275	440
1080	1631	784	993	1462	282	451
1193	1660	798	1011	1490	287	465
1305	1761	846	1072	1580	305	488
1440	1795	862	1093	1610	311	497
1575	1855	892	1130	1665	321	514
1710	1900	913	1157	1705	329	526
1845	1940	933	1182	1741	336	538
1980	1977	950	1203	1774	342	548
2138	2016	969	1227	1809	349	559
2295	2089	1004	1272	1874	362	579
2475	2150	1033	1309	1929	373	596
2655	2201	1057	1340	1975	382	610
2835	2253	1083	1372	2022	390	624
3038	2302	1107	1402	2066	399	638

Nominal Weight (kg)	Size (mm)					
	A	B	C	D	E	F
3240	2352	1130	1432	2110	407	652
3443	2400	1154	1462	2154	415	665
3668	2451	1178	1493	2200	424	680
3938	2510	1207	1529	2252	434	696
4208	2549	1234	1563	2303	444	711
4500	2624	1261	1598	2355	454	727
4838	2688	1292	1637	2412	465	745
5175	2749	1321	1674	2467	476	762
5513	2808	1350	1710	2520	486	778
5850	2864	1376	1744	2570	496	794
6225	2923	1405	1780	2623	506	810
6525	2970	1428	1808	2665	514	823
6975	3042	1462	1853	2730	527	843
7425	3100	1490	1888	2782	537	859
7875	3162	1520	1925	2837	547	876
8325	3221	1548	1961	2890	558	893
8775	3278	1576	1996	2942	567	909
9225	3333	1602	2030	2991	577	924
9675	3386	1628	2062	3039	586	939
10125	3438	1653	2094	3085	595	953
10575	3488	1677	2124	3130	604	967
11025	3537	1700	2154	3174	612	981
11550	3592	1727	2188	3224	622	996
12075	3646	1753	2220	3272	631	1011
12675	3705	1781	2256	3325	641	1027
13350	3770	1812	2296	3383	653	1045
14100	3839	1846	2338	3445	665	1064
15000	3919	1884	2387	3517	678	1086
16125	4015	1930	2445	3603	695	1113
17250	4106	1974	2501	3685	711	1138
18375	4194	2016	2554	3763	726	1163
19500	4278	2056	2605	3839	740	1186

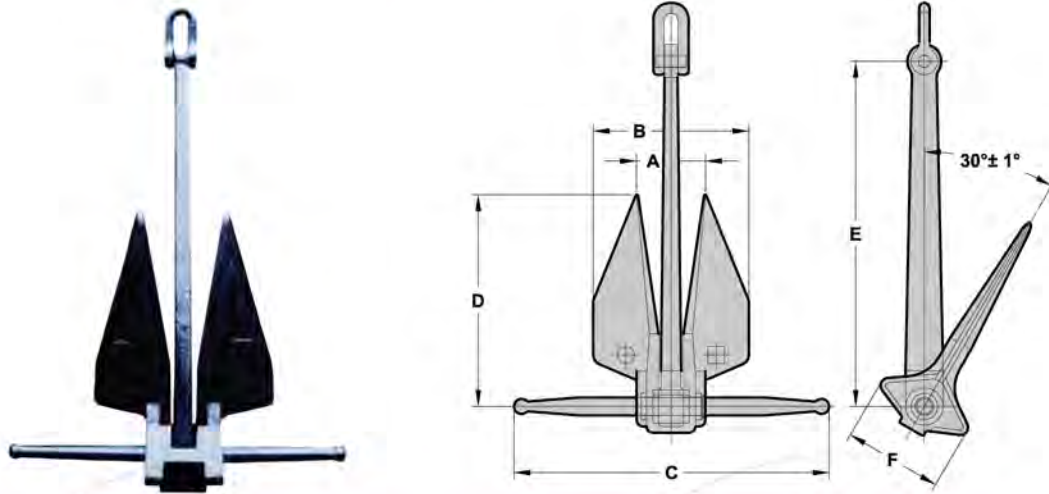
CJ-14 SB HHP ANCHOR



Nominal Weight (kg)	Size (mm)					
	A	B	C	D	E	F
75	550	326	350	606	188	185
100	607	380	385	704	207	200
120	635	380	402	704	217	215
180	742	442	470	822	254	252
225	828	495	525	915	283	277
250	828	495	525	915	283	280
300	882	525	559	975	301	298
340	918	548	582	1012	313	310
360	918	548	582	1015	313	313
430	990	590	628	1098	339	336
495	1025	610	650	1135	350	348
585	1102	658	699	1220	376	375
675	1152	690	731	1278	394	390
765	1205	718	764	1335	411	408
855	1250	745	793	1385	427	420
970	1300	775	826	1445	444	440
1080	1350	805	855	1495	461	455
1200	1400	835	887	1545	478	470
1305	1440	858	913	1595	492	485
1440	1486	885	943	1645	507	505
1575	1534	915	972	1695	523	518
1710	1575	940	998	1745	538	532
1845	1616	965	1025	1785	552	546
1980	1650	985	1048	1830	564	560
2100	1686	1005	1070	1865	575	570
2295	1738	1035	1102	1920	593	588
2475	1780	1062	1128	1970	607	602
2655	1820	1085	1155	2018	621	615
2835	1862	1109	1180	2057	635	625
3040	1896	1130	1204	2100	646	640
3550	2030	1198	1287	2225	693	680
3940	2080	1240	1318	2300	709	705

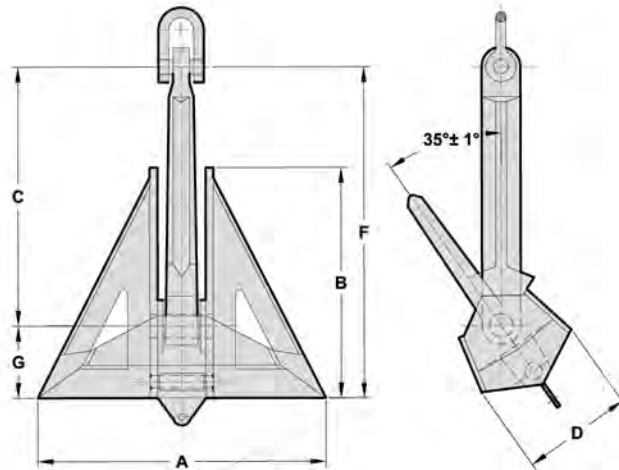
Nominal Weight (kg)	Size (mm)					
	A	B	C	D	E	F
4500	2170	1295	1376	2405	741	735
4840	2225	1330	1410	2465	760	755
5175	2275	1358	1443	2520	777	770
5610	2339	1396	1483	2590	798	790
6000	2390	1426	1515	2646	816	810
6225	2420	1443	1534	2678	826	820
6525	2450	1462	1554	2712	836	830
6975	2507	1496	1589	2775	855	848
7350	2560	1526	1622	2832	873	866
7875	2610	1558	1655	2890	891	884
8325	2665	1590	1689	2950	909	902
8775	2707	1614	1715	2996	924	916
9300	2765	1652	1754	3064	945	936
9675	2805	1674	1778	3104	957	948
10125	2850	1700	1806	3152	972	960
10575	2880	1720	1827	3192	984	976
11025	2930	1750	1859	3247	1001	990
11700	2987	1782	1894	3308	1019	1010
12075	3010	1800	1906	3343	1027	1020
12675	3065	1812	1945	3364	1047	1028
13350	3132	1870	1986	3470	1069	1060
14100	3178	1896	2015	3520	1084	1076
14700	3228	1924	2045	3570	1099	1090
15400	3272	1954	2075	3626	1117	1108
16100	3320	1980	2110	3680	1132	1125
16700	3350	2000	2126	3720	1144	1144
17250	3380	2016	2142	3740	1151	1144
17800	3440	2050	2180	3806	1173	1162
18800	3500	2088	2220	3875	1193	1185
20000	3573	2132	2265	3956	1220	1210
25000	3965	2360	2515	4309	1352	1295
30000	4358	2588	2765	4663	1484	1380

Danforth HHP ANCHOR



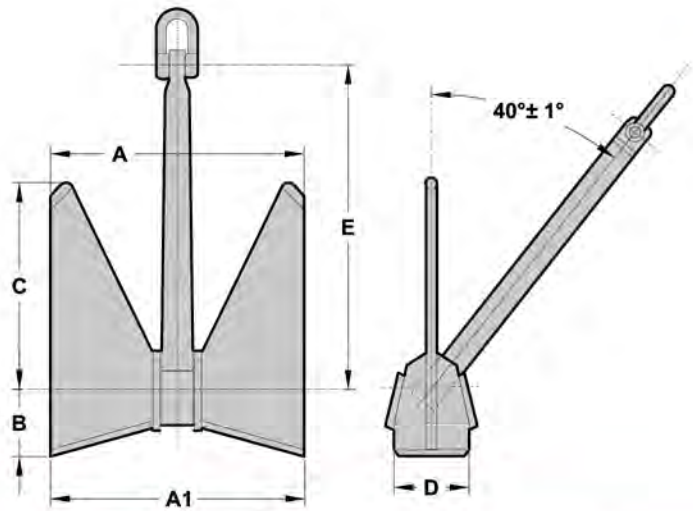
Nominal Weight (lbs)	Size (mm)						Shackle Model
	A	B	C	D	E	F	
100	159	322	714	485	800	219	a4
150	183	372	793	560	926	253	a5
200	203	412	874	621	995	281	a6
250	225	457	960	689	1075	312	a6
300	228	461	1000	706	1166	314	a7
400	257	522	1090	788	1284	356	a8
550	274	554	1180	836	1380	378	a9
600	290	588	1253	888	1466	401	a9
750	314	635	1350	958	1578	433	a9
1000	344	694	1488	1060	1739	472	a11
1250	367	741	1603	1135	1864	505	a12
1500	396	800	1703	1207	1988	545	a12
2000	438	888	1875	1336	2190	604	a14
2500	470	950	2020	1432	2300	647	a14
2625	470	950	2020	1432	2300	647	a14
2750	485	960	2120	1432	2335	650	a14
3000	502	1033	2146	1575	2396	710	a14
3500	550	1111	2265	1677	2515	757	a15
4000	552	1114	2365	1680	2623	759	a15
5000	595	1200	2480	1811	2850	818	a16
6000	630	1274	2680	1920	3164	866	a17
6600	652	1317	2792	1986	3260	897	a19
8000	692	1398	2970	2109	3475	971	a19
9000	715	1448	3080	2200	3490	990	a20
10000	735	1484	3200	2270	3591	1010	a21
15000	851	1700	3680	2610	4100	1160	a23
20000	936	1870	4050	2870	4510	1276	a26
30000	1136	2250	4900	3400	5400	1520	a30
35000	1208	2414	5250	3670	5830	1642	a31
40000	1286	2588	5625	3930	6250	1758	a32
45000	1378	2745	5968	4172	6610	1867	a33
50000	1450	2890	6282	4393	6950	1965	a34

DELTA ANCHOR



Nominal Weight (kg)	Size (mm)					
	A	B	C	D	F	G
300	1310	1040	1180	495	1550	370
500	1555	1240	1400	585	1845	445
750	1780	1400	1600	665	2110	510
1000	1960	1560	1755	740	2320	565
1500	2250	1800	2025	840	2660	635
2000	2470	2000	2250	930	2960	710
2500	2660	2130	2395	1005	3150	755
3000	2830	2285	2565	1070	3380	815
4000	3180	2560	2880	1190	3790	910
4500	3194	2575	2900	1220	3820	920
5000	3300	2660	2995	1260	3945	950
6000	3560	2884	3245	1300	4268	1024
7000	3750	2995	3365	1405	4440	1075
9000	4120	3280	3690	1540	4860	1170
10000	4270	3400	3825	1600	5040	1215
13500	4670	3730	4195	1765	5535	1340
15000	4840	3860	4340	1825	5725	1385
18000	5140	4100	4615	1940	6085	1470
20000	5320	4240	4775	2010	6300	1525
22500	5535	4420	4970	2090	6560	1590
25000	5730	4575	5140	2160	6780	1640
30000	6100	4880	5486	2305	7225	1739
35000	6424	5138	5775	2426	7605	1830
40000	6715	5370	6036	2536	7948	1912
45000	6986	5588	6184	2640	8270	2086
50000	7230	5785	6500	2730	8560	2060
55000	7470	5975	6715	2820	8840	2125
60000	7690	6150	6910	2940	9100	2190
65000	7900	6315	7100	2980	9350	2250
70000	8095	6475	7275	3060	9580	2305
75000	8235	6590	7405	3110	9750	2345
80000	8460	6770	7610	3195	10020	2410
85000	8625	6900	7750	3255	10210	2460
90000	8800	7040	7910	3325	10420	2510
95000	8960	7170	8055	3385	10610	2555
100000	9110	7285	8190	3440	10780	2590

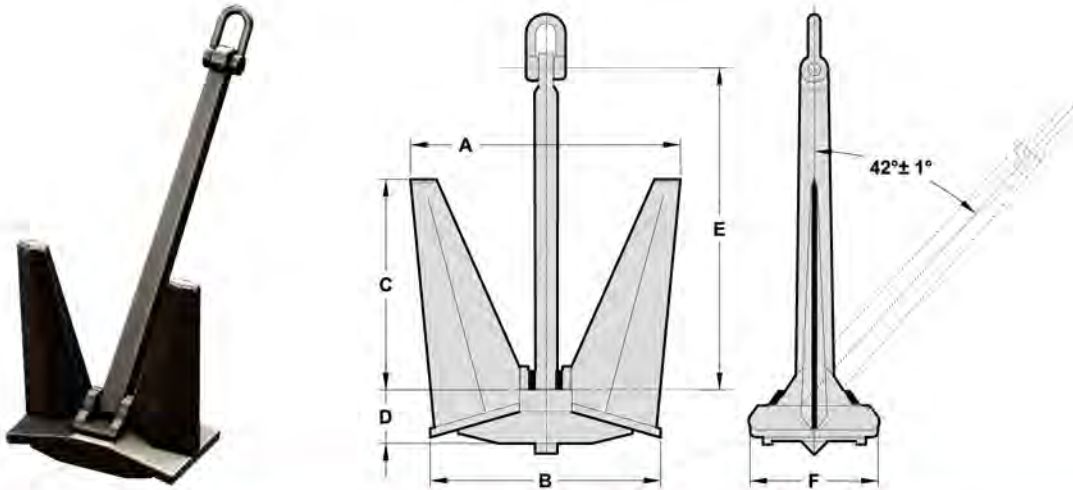
POOL ANCHOR TYPE TW



Nominal Weight (kg)	Size (mm)						Shackle Model
	A	A1	B	C	D	E	
105	640	650	250	422	240	705	a6
135	696	706	273	460	262	815	a6
160	736	746	289	486	277	895	a7
180	766	776	300	506	288	937	a7
225	825	837	324	545	310	982	a8
270	877	890	344	579	329	1080	a8
300	907	922	356	600	340	1080	a8
360	965	980	378	638	362	1175	a9
430	1024	1040	402	676	384	1200	a9
495	1074	1090	420	709	402	1257	a10
565	1122	1138	440	740	436	1318	a11
675	1205	1221	475	801	454	1456	a11
765	1256	1272	476	836	455	1518	a12
855	1306	1327	494	866	496	1575	a13
970	1360	1381	532	896	513	1642	a13
1080	1410	1431	540	910	536	1703	a13
1195	1435	1446	545	955	537	1730	a13
1305	1490	1512	580	981	558	1814	a14
1440	1554	1576	587	1031	585	1875	a14
1575	1594	1618	606	1062	600	1931	a14
1710	1635	1659	622	1092	614	1985	a15
1845	1684	1709	638	1120	638	2035	a15
1980	1733	1758	657	1153	654	2088	a15
2140	1765	1803	671	1177	664	2138	a16
2295	1802	1829	686	1205	678	2190	a16
2475	1860	1887	704	1236	705	2240	a17
2655	1900	1927	720	1263	716	2298	a17
2835	1945	1973	737	1294	730	2350	a17
3040	1984	2012	754	1324	744	2404	a17
3240	2036	2066	770	1351	768	2456	a18
3445	2070	2100	789	1381	782	2507	a18
3670	2110	2142	804	1410	795	2560	a19
3940	2152	2185	820	1440	802	2621	a19
4210	2218	2251	842	1478	838	2680	a20

Nominal Weight (kg)	Size (mm)						Shackle Model
	A	A1	B	C	D	E	
4500	2264	2297	861	1510	854	2740	a20
4840	2316	2349	879	1543	868	2800	a21
5175	2334	2367	889	1558	876	2829	a22
5250	2363	2397	926	1558	887	2870	a22
5515	2412	2446	926	1608	911	2921	a22
5850	2450	2485	960	1615	920	2985	a23
6225	2509	2543	980	1640	940	3033	a23
6975	2623	2659	1015	1707	990	3145	a23
7875	2695	2735	1050	1773	1012	3264	a24
8148	2744	2771	1067	1805	1030	3320	a24
8420	2794	2822	1087	1838	1049	3381	a24
8710	2823	2851	1098	1857	1060	3416	a25
9000	2852	2881	1109	1876	1071	3451	a25
9340	2885	2914	1122	1898	1083	3491	a25
9680	2918	2947	1135	1919	1096	3531	a26
10090	2947	2976	1146	1939	1107	3566	a26
10500	2977	3007	1158	1958	1118	3602	a26
10765	3008	3038	1170	1979	1130	3640	a26
11030	3038	3069	1182	1999	1141	3677	a27
11365	3063	3094	1192	2015	1150	3706	a27
11100	3097	3118	1201	2031	1159	3735	a27
12075	3124	3155	1215	2055	1173	3780	a28
12450	3161	3193	1230	2079	1187	3825	a28
13200	3233	3265	1258	2127	1214	3912	a29
13950	3305	3338	1286	2174	1241	3999	a29
14850	3350	3384	1303	2204	1258	4054	a30
15750	3395	3429	1321	2233	1275	4108	a30
16295	3457	3492	1345	2274	1298	4183	a31
16840	3520	3555	1369	2315	1322	4259	a31
17420	3556	3592	1383	2339	1335	4303	a32
18000	3593	3629	1398	2363	1349	4348	a32
18680	3634	3670	1414	2390	1365	4397	a32
19360	3676	3713	1430	2418	1380	4448	a33
20000	3713	3750	1444	2442	1394	4493	a33

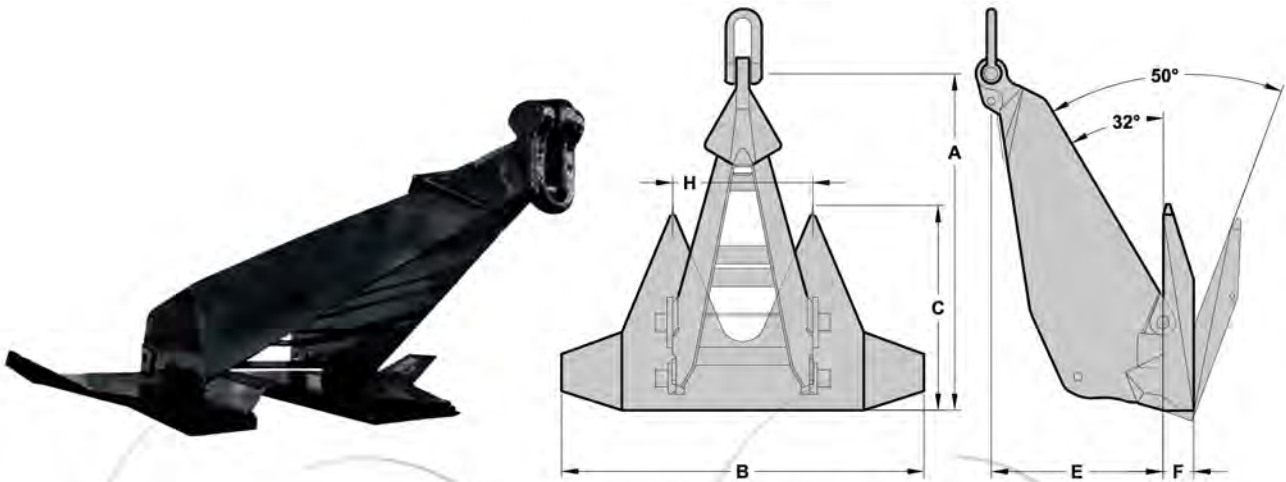
POOL HHP ANCHOR TYPE N



Nominal Weight (kg)	Size (mm)					
	A	B	C	D	E	F
12	323	275	250	65	383	155
20	386	325	300	75	458	185
25	409	350	316	80	485	200
40	479	410	370	95	567	235
50	517	440	400	100	613	255
60	550	470	425	110	652	270
80	608	515	470	120	720	295
100	653	555	505	130	775	320
120	699	595	540	135	825	340
135	723	614	562	139	858	342
160	764	650	590	150	905	370
180	795	675	615	155	940	385
200	825	700	640	160	978	400
225	858	729	666	165	1016	406
240	880	745	680	175	1040	425
280	925	780	715	180	1092	450
320	964	820	745	190	1140	470
360	1005	855	780	195	1190	490
400	1040	885	805	205	1230	505
440	1074	910	830	210	1270	520
480	1105	940	855	215	1305	535
520	1133	960	875	220	1340	550
560	1165	985	900	230	1375	565
600	1191	1010	920	235	1410	580
640	1217	1035	940	240	1440	675
675	1237	1051	960	245	1464	585
720	1262	1075	975	250	1495	615
800	1310	1115	1015	255	1550	635
855	1338	1137	1137	257	1585	633
900	1365	1160	1160	270	1615	665
970	1396	1186	1186	272	1654	660
1000	1410	1200	1200	275	1670	670
1080	1447	1229	1229	278	1713	684
1250	1521	1290	1290	300	1800	740
1305	1541	1309	1309	296	1824	729
1500	1615	1370	1370	315	1910	785
1575	1641	1394	1394	315	1943	776
1750	1705	1445	1445	335	2015	830
1845	1729	1469	1469	340	2049	818
2000	1780	1510	1510	350	2105	865

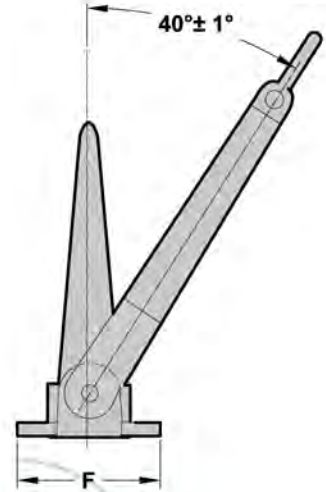
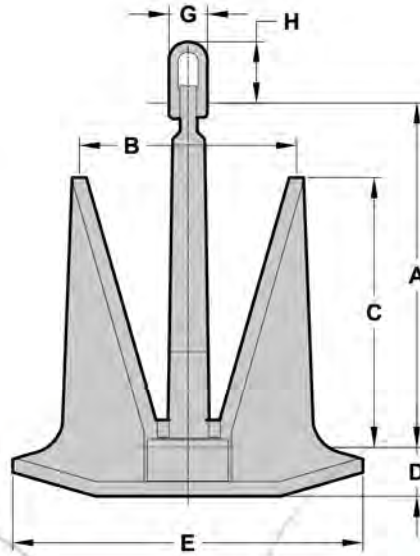
Nominal Weight (kg)	Size (mm)					
	A	B	C	D	E	F
2140	1817	1544	1411	349	2152	860
2250	1850	1570	1430	360	2185	900
2500	1920	1630	1480	375	2265	930
2655	1954	1664	1516	372	2312	925
2835	1996	1700	1550	380	2364	945
3040	2042	1735	1585	390	2418	968
3240	2086	1773	1620	398	2471	988
3445	2129	1809	1653	406	2522	1009
3670	2174	1847	1689	415	2576	1030
3940	2226	1892	1730	425	2640	1055
4210	2276	1934	1768	434	2698	1078
4500	2328	1978	1808	444	2758	1103
4840	2385	2026	1852	455	2825	1130
5175	2439	2072	1894	465	2889	1155
5515	2491	2116	1934	475	2950	1180
5850	2541	2159	1973	485	3009	1204
6225	2594	2204	2014	495	3072	1229
6525	2635	2239	2046	503	3121	1248
6975	2695	2290	2092	514	3191	1276
7425	2751	2337	2136	525	3258	1303
7875	2805	2384	2178	535	3323	1329
8325	2858	2428	2219	545	3385	1354
8775	2908	2471	2258	555	3445	1378
9225	2958	2512	2296	564	3502	1401
9675	3004	2553	2333	573	3558	1423
10215	3050	2592	2369	582	3613	1445
10575	3095	2630	2403	590	3666	1466
11025	3138	2667	2437	599	3717	1486
11550	3187	2708	2475	608	3775	1510
12075	3235	2748	2512	617	3831	1533
12675	3288	2794	2553	628	3894	1557
13350	3345	2842	2598	638	3962	1585
14100	3406	2895	2645	694	4035	1614
15000	3478	2955	2700	664	4119	1647
15400	3508	2981	2724	669	4155	1662
16125	3563	3027	2766	680	4220	1687
17250	3643	3096	2829	696	4315	1726
18375	3712	3162	2889	710	4407	1762
19500	3795	3225	2947	725	4495	1798
20625	3867	3286	3003	738	4580	1832

STEVIN MK5 ANCHOR



Nominal Weight (kg)	Size (mm)					
	A	B	C	E	F	H
300	1828	1968	1101	927	160	757
500	2040	2197	1233	1035	179	845
1000	2570	2770	1562	1304	226	1064
1500	2944	3174	1802	1495	261	1230
2000	3244	3494	1969	1646	285	1343
3000	3711	4001	2279	1886	332	1540
4000	4083	4403	2431	2074	359	1692
5000	4402	4746	2697	2238	396	1835
6000	4680	5040	2841	2374	411	1988
7000	4900	5280	3001	2490	443	2045
8000	5151	5553	3156	2619	464	2139
9000	5359	5772	3253	2719	471	2219
10000	5549	5932	3400	3822	501	2305
12000	5893	6353	3614	3000	533	2450
14000	6209	6694	3805	3159	562	2580
15000	6354	6850	3804	3232	575	2640
16000	6469	6967	3927	3282	569	2673
18000	6753	7280	4139	3436	612	2806
20000	6994	7540	4287	3559	634	2907
22000	7220	7784	4426	3674	654	3001
25000	7535	8123	4619	3834	684	3132
30000	3003	8635	4919	4075	727	3329

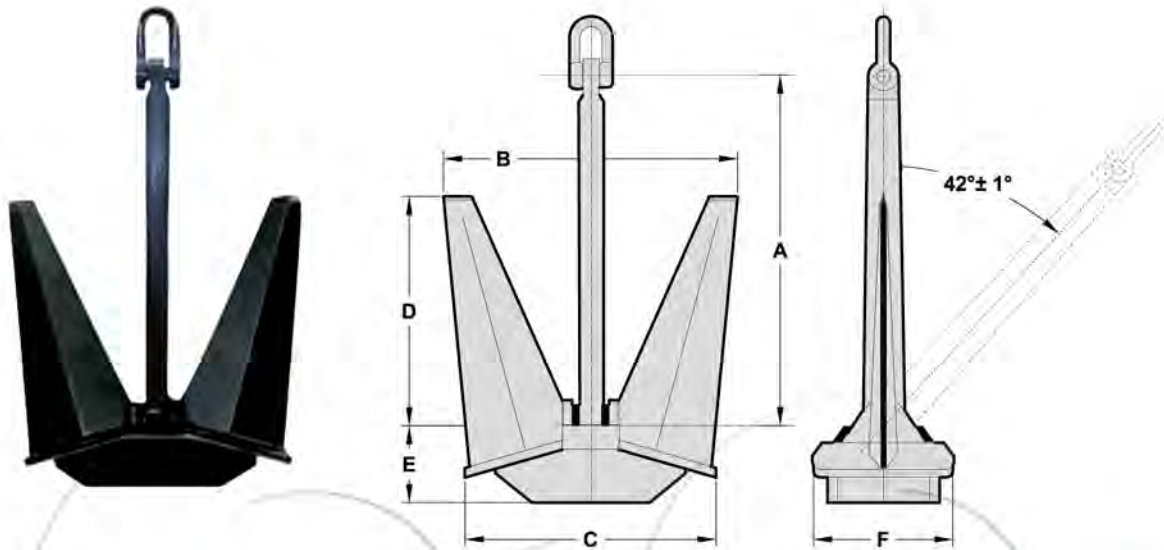
D-HONE HHP ANCHOR



Nominal Weight (kg)	Size (mm)							
	A	B	C	D	E	F	G	H
200	789	495	566	182	847	313	110	145
300	900	566	648	207	968	358	136	175
400	994	624	710	231	1065	395	151	192
500	1070	670	765	250	1150	425	163	215
550	1105	693	790	257	1185	438	163	215
600	1138	714	815	263	1220	452	163	215
650	1170	733	835	275	1255	465	174	235
700	1200	750	860	275	1285	475	174	235
750	1225	765	875	275	1310	485	174	235
800	1253	780	895	281	1340	495	174	235
850	1280	800	915	295	1370	507	200	255
900	1300	810	927	297	1386	513	200	255
950	1327	830	950	308	1425	527	200	255
1000	1350	840	965	315	1450	536	200	255
1100	1394	875	1000	320	1490	555	215	280
1200	1435	900	1030	330	1540	570	215	280
1300	1475	925	1055	341	1580	585	215	280
1400	1510	945	1080	350	1620	600	215	280
1500	1545	970	1100	365	1660	610	215	280
1600	1578	990	1130	366	1690	627	236	310
1700	1608	1008	1150	373	1725	638	236	310
1800	1640	1030	1175	380	1760	650	236	310
1900	1670	1055	1190	390	1790	660	236	310
2000	1700	1080	1220	390	1825	675	236	310
2200	1750	1100	1250	410	1880	695	256	340
2400	1800	1130	1290	420	1940	717	256	340

Nominal Weight (kg)	Size (mm)							
	A	B	C	D	E	F	G	H
2600	1855	1160	1330	420	1990	737	279	380
2800	1900	1190	1365	435	2040	755	279	380
3000	1950	1220	1400	445	2090	770	279	380
3250	2000	1250	1430	460	2140	790	284	385
3500	2050	1285	1470	470	2200	810	284	385
4000	2132	1340	1530	490	2280	850	305	410
4500	2224	1395	1590	510	2385	880	310	410
5000	2335	1460	1670	540	2505	927	343	450
5300	2350	1470	1680	540	2520	930	343	450
5800	2430	1525	1745	560	2610	965	343	450
6000	2484	1555	1780	575	2665	986	370	480
6500	2520	1580	1810	580	2710	1002	370	480
7000	2580	1610	1840	595	2755	1020	370	480
7400	2635	1650	1890	605	2825	1045	377	500
8000	2686	1685	1930	615	2880	1065	391	540
8300	2736	1710	1950	635	2926	1085	391	540
8800	2785	1745	1995	643	2990	1105	391	540
9200	2830	1775	2030	650	3030	1120	418	580
9600	2877	1800	2060	660	3080	1140	418	580
10000	2920	1830	2090	670	3126	1157	437	600
10500	2964	1860	2125	685	3180	1180	437	600
12000	3100	1940	2220	715	3320	1230	452	630
13500	3200	2010	2290	740	3435	1270	468	640
14000	3260	2045	2330	760	3495	1294	483	660
15000	3360	2100	2410	770	3600	1330	498	680

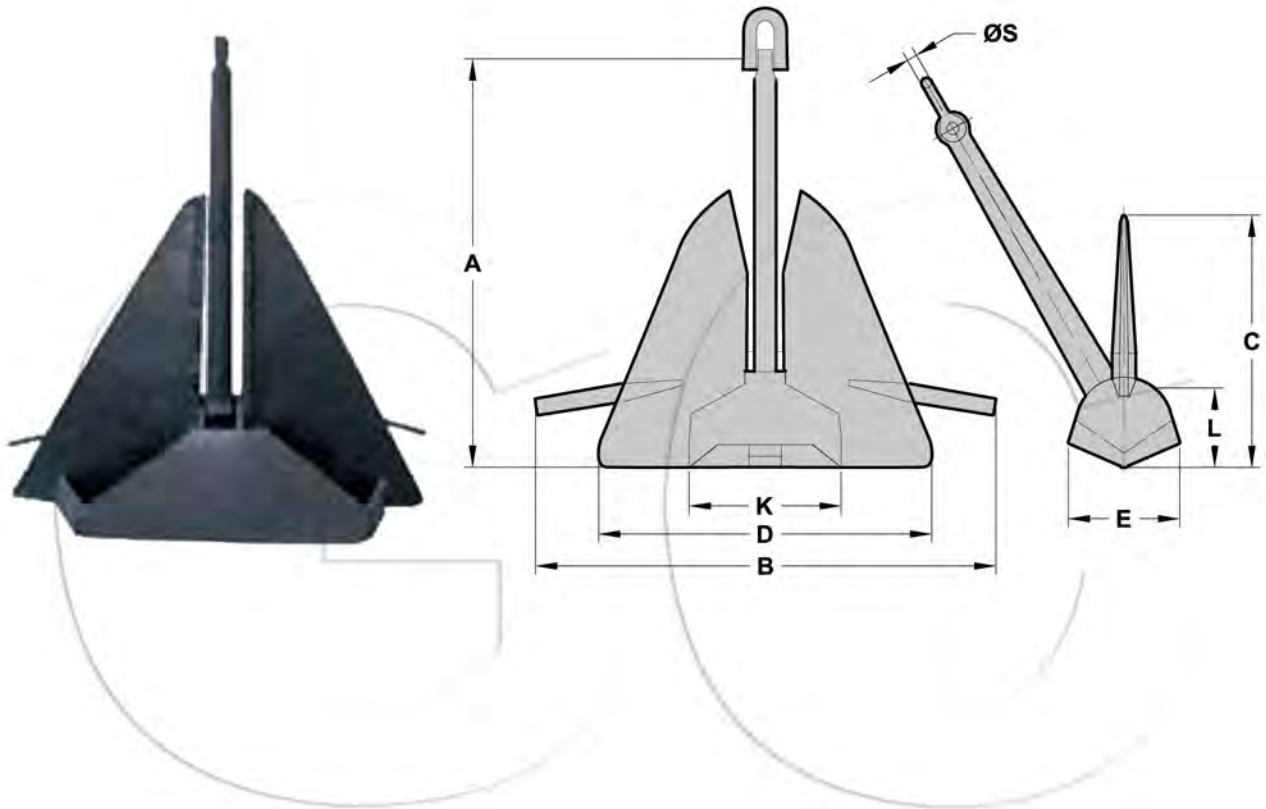
CJN-SB TYPE HHP ANCHOR



Nominal Weight (kg)	Size (mm)					
	A	B	C	D	E	F
60	590	555	470	364	157	270
80	664	605	515	410	176	295
100	712	655	555	440	190	320
160	835	765	650	516	223	370
200	885	825	700	546	236	400
280	1008	925	780	622	269	450
360	1096	1005	855	677	292	490
480	1186	1105	940	728	314	535
600	1300	1190	1010	802	347	580
765	1410	1290	1096	870	375	610
1000	1526	1395	1185	942	404	660
1080	1580	1446	1230	975	421	685
1195	1636	1485	1270	1010	436	708
1305	1680	1541	1308	1037	448	730
1440	1738	1592	1352	1073	464	754
1575	1769	1640	1386	1092	472	777
1710	1840	1686	1455	1137	491	798
1845	1890	1729	1469	1168	504	819
1980	1935	1770	1504	1195	516	836
2140	1985	1816	1543	1226	530	860
2295	2030	1860	1580	1254	540	880
2655	2140	1954	1684	1322	566	926
2835	2188	1996	1700	1351	580	945
3000	2238	2042	1736	1382	592	968
3240	2287	2086	1773	1412	605	988

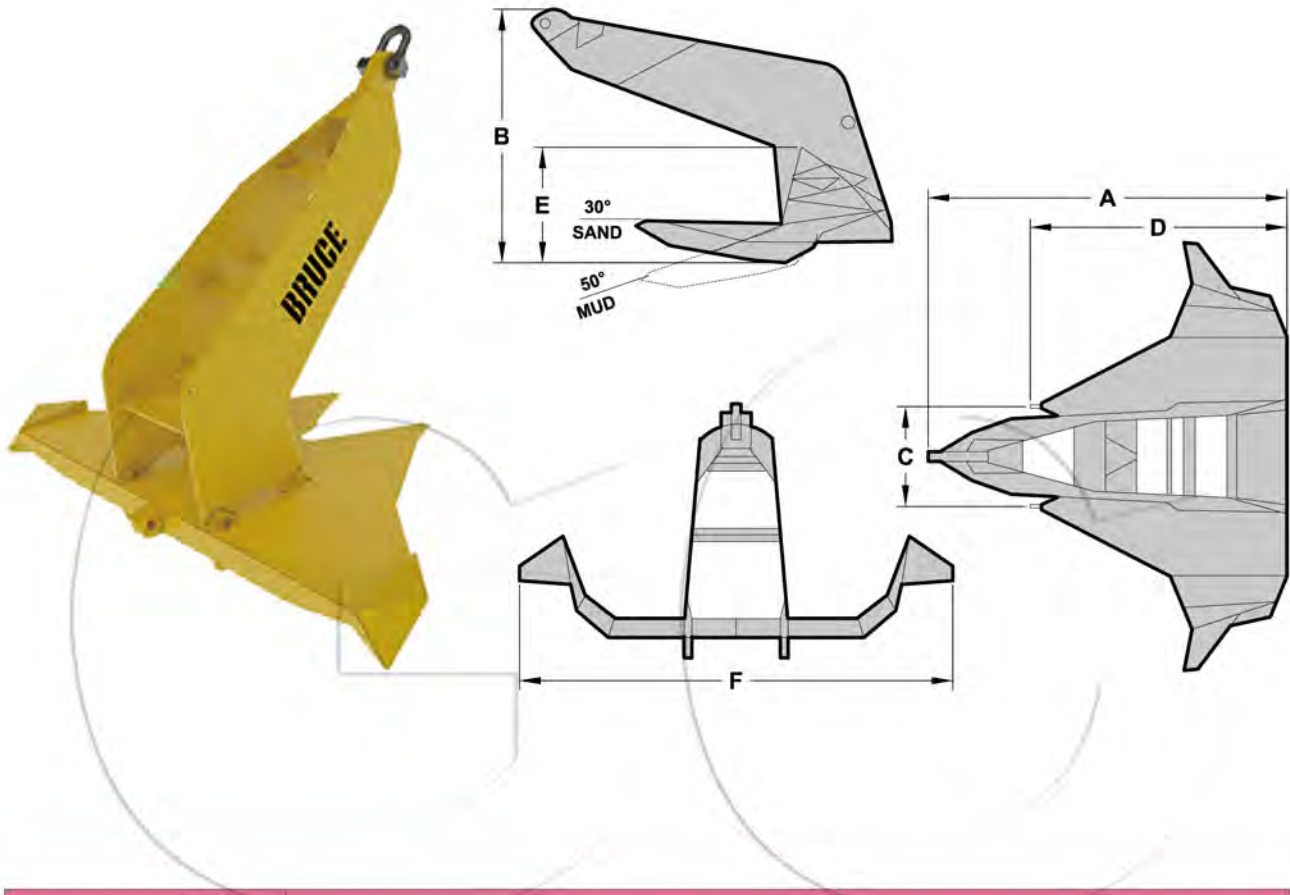
Nominal Weight (kg)	Size (mm)					
	A	B	C	D	E	F
3940	2442	2226	1892	1508	646	1055
4500	2553	2328	1976	1576	675	1103
5175	2675	2439	2072	1651	708	1155
5515	2730	2491	2116	1686	722	1180
5850	2786	2541	2159	1720	737	1204
6225	2838	2594	2204	1750	756	1229
6525	2880	2635	2239	1780	768	1248
6975	2948	2695	2290	1820	786	1276
7425	3010	2760	2338	1858	802	1303
7875	3069	2805	2384	1895	818	1329
8775	3180	2908	2471	1964	848	1376
9225	3235	2968	2512	1997	862	1401
9675	3286	3004	2553	2029	876	1423
10125	3337	3060	2592	2060	890	1445
10575	3386	3095	2630	2090	902	1468
12075	3538	3236	2748	2184	943	1533
12675	3596	3288	2794	2220	958	1556
13350	3658	3346	2842	2258	975	1585
14100	3726	3406	2894	2300	993	1614
15000	3804	3476	2954	2348	1014	1646
17250	3985	3643	3095	2460	1062	1726
20825	4240	3887	3285	2618	1130	1832
24750	4495	4109	3491	2775	1198	1947
28875	4717	4324	3675	2912	1258	2049

STEVIN MK3 ANCHOR



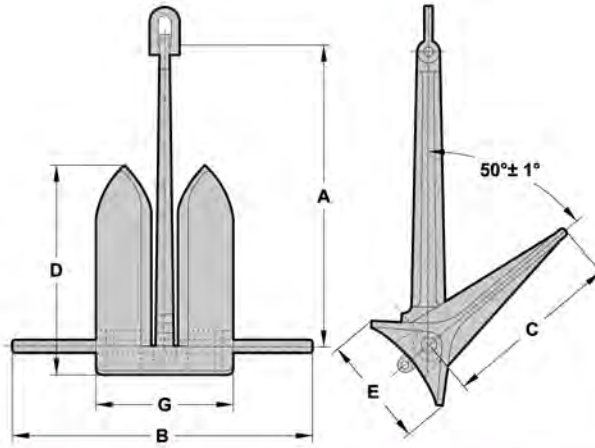
Nominal Weight (kg)	Size (mm)							
	A	B	C	D	E	K	L	S
1000	2429	2654	1559	2023	737	1010	412	60
1500	2774	3038	1785	2316	843	1156	471	65
3000	3493	3828	2249	2918	1063	1456	594	80
5000	4120	4538	2667	3460	1260	1727	704	80
7000	4602	5077	2983	3871	1409	1932	788	90
9000	5012	5521	3244	4209	1533	2100	857	100
12000	5516	6076	3570	4632	1687	2312	943	110
15000	5942	6545	3846	4990	1817	2490	1016	120
20000	6372	6986	4100	5324	2048	2674	1083	160
30000	7289	7997	4694	6094	2345	3061	1240	180

WELDING BRUCE HHP ANCHOR



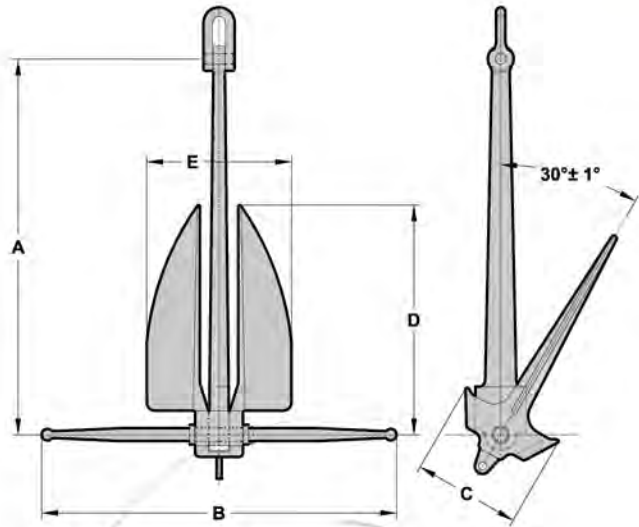
Nominal Weight (kg)	Size (mm)					
	A	B	C	D	E	F
500	1827	1280	500	1303	606	2188
800	2073	1452	667	1479	688	2484
1500	2648	1854	723	1888	878	3172
3000	3409	2388	931	2431	1131	4085
4500	3800	2751	1047	2733	1298	4605
5000	4029	2822	1100	2873	1336	4828
6000	4227	3028	1161	3031	1430	5104
6500	4326	3131	1192	3110	1478	5242
9000	4846	3394	1324	3456	1607	5806
10000	5287	3563	1390	3628	1687	6095
12000	5437	3808	1486	3878	1803	6514
15000	5728	4012	1566	4085	1900	6864
18000	6129	4292	1674	4371	2031	7343
20000	6319	4426	1726	4507	2096	7571
30000	7225	5060	1974	5153	2396	8656

OFFDRILL ANCHOR



Nominal Weight (kg)	Size (mm)					
	A	B	C	D	E	G
227	1205	1330	725	865	395	485
454	1520	1675	915	1090	500	625
680	1770	2120	1050	1250	575	740
908	1950	2340	1160	1380	630	815
1136	2100	2520	1250	1485	680	875
1360	2230	2655	1330	1580	725	930
1590	2350	2820	1400	1665	765	980
1815	2500	2945	1460	1740	800	1020
2045	2555	3065	1520	1805	830	1065
2270	2645	3175	1575	1870	860	1100
2725	2815	3375	1675	1990	910	1170
3180	2950	3540	1755	2090	940	1230
3630	3095	3890	1840	2190	1012	1290
4540	3335	4000	1985	2360	1070	1390
5445	3540	4250	2110	2505	1140	1475
6350	3730	4500	2220	2640	1228	1555
7260	3900	4750	2320	2760	1280	1625
9080	4200	4900	2500	2975	1385	1750
11350	4500	5165	2680	3205	1530	1875
13620	4810	5335	2860	3405	1545	2000
15000	4900	5390	2955	3515	1585	2070
18160	5120	5635	3090	3675	1692	2165
20430	5330	5865	3215	3850	1760	2250
22700	5600	6150	3360	4025	1900	2365
27240	5950	6535	3570	4250	1955	2515
31780	6260	6875	3755	4470	2055	2645

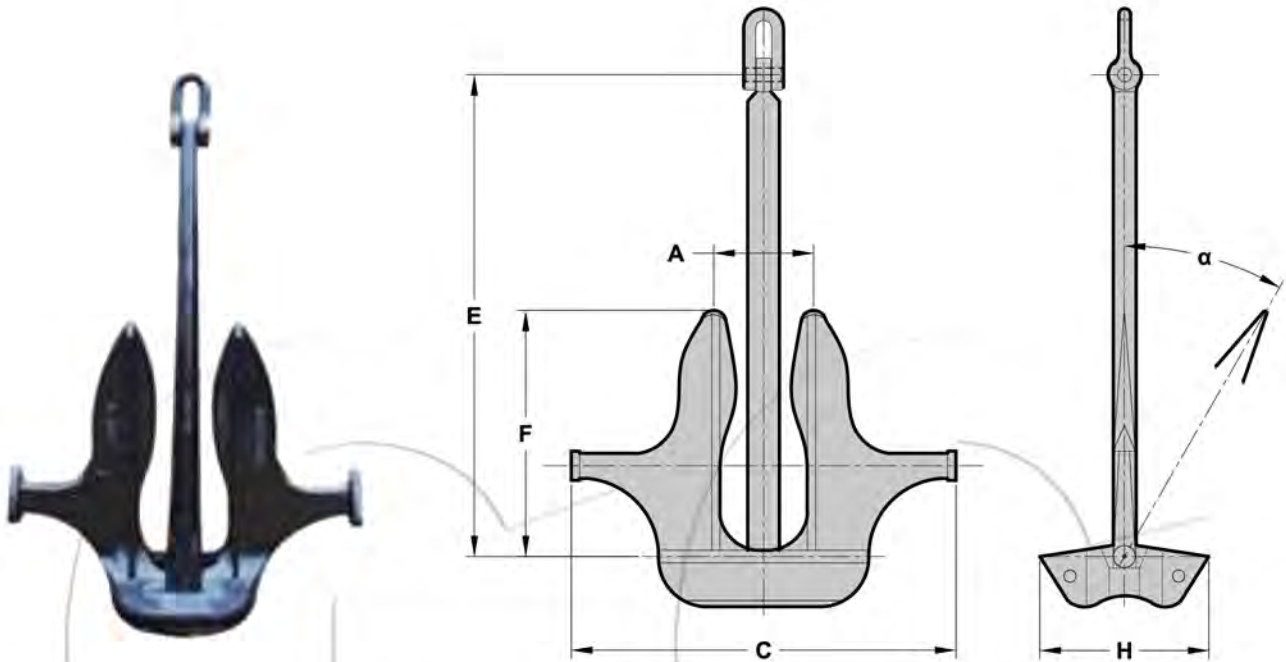
GB11579-89 LIGHT WEIGHT ANCHOR



Nominal Weight (kg)	Size (mm)				
	A	B	C	D	E
14	770	730	222	444	288
23	885	840	252	508	328
34	965	915	279	559	366
45	1055	1000	310	610	396
70	1185	1130	348	686	450
90	1205	1140	360	737	480
140	1345	1270	414	825	540
180	1460	1380	450	896	584
230	1560	1480	482	952	610
340	1750	1640	560	1068	680
450	1910	1800	610	1165	740
680	2190	2080	700	1340	840
910	2350	2200	762	1435	940
1140	2580	2450	825	1575	1000
1360	2750	2600	880	1680	1060
1500	2830	2680	912	1730	1080
1820	2940	2790	952	1800	1120
2270	2990	2840	984	1830	1130
2730	3150	2990	1040	1930	1200
3180	3200	3030	1070	1960	1240

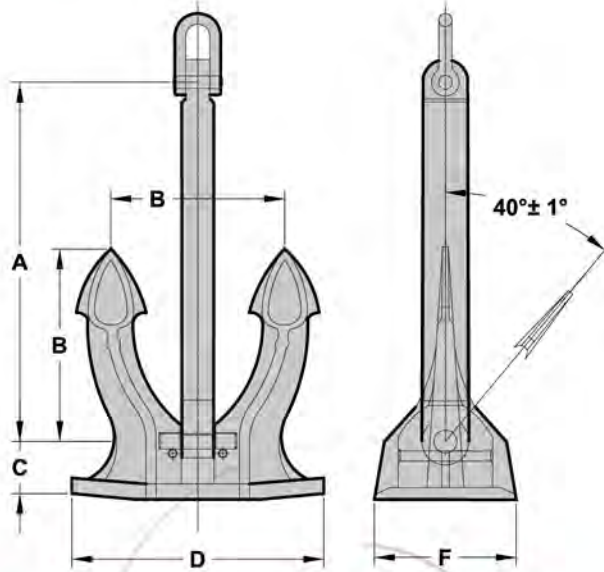
Nominal Weight (kg)	Size (mm)				
	A	B	C	D	E
3630	3250	3070	1105	1980	1276
4100	3380	3200	1150	2060	1330
4540	3490	3310	1180	2130	1370
5000	3600	3420	1226	2200	1400
5500	3710	3520	1264	2260	1450
5900	3810	3610	1296	2320	1500
6400	3910	3710	1334	2390	1540
6800	3990	3790	1362	2440	1570
7300	4080	3870	1394	2490	1610
7700	4170	3950	1422	2540	1640
8200	4240	4020	1448	2590	1670
8600	4320	4100	1474	2640	1700
9100	4390	4170	1500	2690	1730
10000	4540	4300	1546	2770	1780
11100	4730	4480	1614	2890	1860
13600	5030	4800	1716	3070	1980
15000	5200	4950	1774	3170	2050
16000	5290	5050	1804	3230	2080
18000	5540	5280	1904	3330	2180
20000	5710	5450	1950	3480	2250

GB57-77 MATROSOV HHP ANCHOR



Nominal Weight (kg)	Size (mm)					
	A	E	C	F	H	α
25	130	570	690	385	214	28~30
35	148	620	760	420	230	30~32
50	170	680	840	480	250	30~32
75	190	770	950	540	270	30~32
100	210	830	1060	590	290	30~32
125	226	870	1130	630	310	30~32
150	242	910	1190	670	330	30~32
200	270	980	1300	740	370	30~32
250	294	1040	1380	800	400	33~37
300	312	1090	1480	850	430	33~37
400	342	1190	1630	930	480	33~37
500	366	1280	1750	1000	520	33~37
650	400	1385	1910	1090	565	33~37
750	418	1450	2000	1140	590	33~37
1000	452	1570	2170	1240	630	33~37
1250	488	1660	2280	1300	660	33~37
1500	515	1715	2370	1350	675	33~37

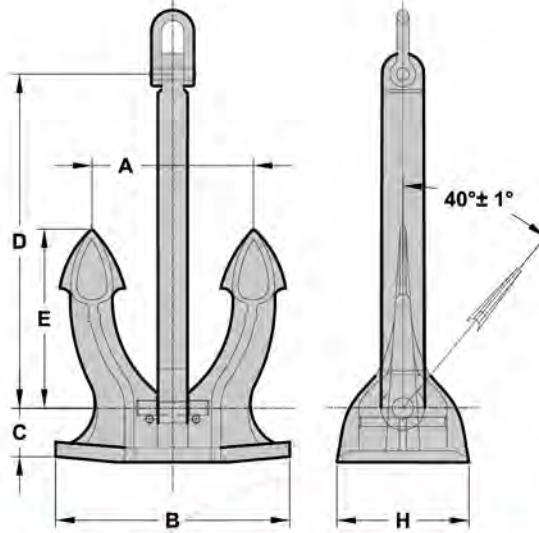
CB711-95 SPEK ANCHOR



Nominal Weight (kg)	Size (mm)				
	A	B	C	D	F
100	672	373	112	515	250
150	770	428	128	590	290
180	846	470	140	640	300
240	900	500	150	690	358
300	990	550	166	760	398
360	1065	600	180	828	411
420	1080	600	180	828	431
500	1170	650	196	900	450
570	1170	650	196	900	475
660	1260	700	210	960	486
780	1355	750	225	1032	519
900	1440	800	240	1100	547
1020	1530	850	252	1170	573
1140	1620	900	268	1240	591
1290	1710	900	268	1240	620
1440	1710	950	279	1300	640
1590	1710	950	279	1300	671
1740	1800	1000	300	1378	689
1920	1850	1050	312	1454	704
2100	1890	1050	312	1454	717
2280	2010	1050	312	1454	736
2460	2010	1100	324	1514	764
2640	2070	1150	352	1584	794
2850	2070	1150	352	1584	804
3060	2160	1200	360	1650	820
3300	2155	1200	360	1650	834
3540	2350	1200	360	1650	834
3780	2430	1350	393	1850	880
4050	2430	1350	393	1850	917

Nominal Weight (kg)	Size (mm)				
	A	B	C	D	F
4320	2520	1400	413	1926	917
4590	2520	1400	413	1926	951
4890	2520	1400	413	1926	954
5250	2610	1450	414	2000	964
5610	2610	1450	414	2000	981
6000	2700	1500	446	2060	1006
6450	2700	1500	446	2060	1028
6900	2790	1550	456	2138	1034
7350	2790	1550	456	2138	1062
7800	2920	1550	456	2138	1091
8300	3060	1700	510	2332	1126
8700	3060	1700	510	2332	1156
9300	3060	1700	510	2332	1169
9900	3160	1700	510	2332	1188
10500	3190	1770	531	2440	1188
11100	3290	1770	531	2440	1212
11700	3390	1770	531	2440	1237
12300	3440	1910	573	2632	1279
12900	3440	1910	573	2632	1279
13500	3440	1910	573	2632	1316
14100	3440	1910	573	2632	1353
14700	3690	2050	615	2824	1369
15400	3690	2050	615	2824	1369
16100	3690	2050	615	2824	1387
16900	3820	2120	636	2922	1415
17800	3950	2120	636	2922	1431
18800	3950	2190	657	3018	1461
20000	4070	2190	657	3018	1493
26000	4250	2360	716	3256	1618

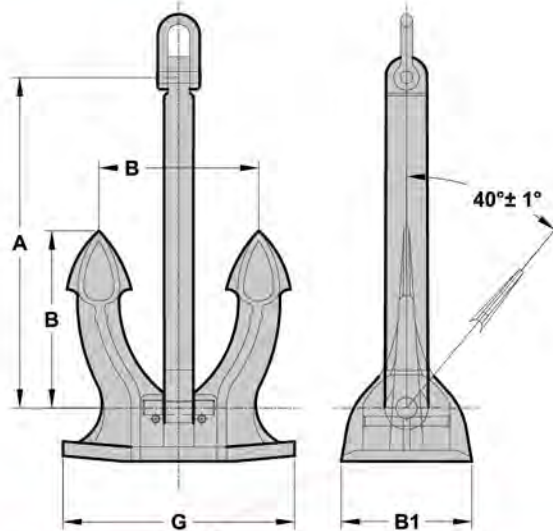
TYPE M SPEK ANCHOR



Nominal Weight (kg)	Size (mm)					
	A	B	C	D	E	H
80	339	468	108	611	336	222
105	371	512	120	669	336	242
135	371	512	149	669	368	254
240	445	613	182	800	440	304
300	527	727	168	949	522	344
360	527	727	190	949	522	358
420	590	813	188	1062	584	385
480	590	813	211	1062	584	395
570	652	900	208	1175	647	428
660	653	900	208	1175	647	428
780	725	1000	231	1305	718	473
900	725	1000	264	1215	718	485
1020	793	1093	252	1428	785	518
1140	793	1093	277	1428	785	530
1290	858	1183	273	1544	850	561
1440	858	1183	299	1544	850	573
1590	920	1268	293	1655	911	604
1740	920	1268	315	1655	911	611
1920	980	1350	312	1761	970	640
2100	980	1350	337	1761	970	650
2280	1038	1430	331	1866	1027	678
2460	1038	1430	355	1866	1027	688
2640	1090	1500	347	1959	1079	712
2850	1190	1500	380	1950	1079	722
3060	1144	1578	365	2058	1133	748
3300	1144	1578	387	2058	1133	760
3540	1202	1656	383	2159	1189	785
3780	1202	1656	405	2159	1189	797
4050	1257	1732	400	2258	1244	821

Nominal Weight (kg)	Size (mm)					
	A	B	C	D	E	H
4320	1257	1732	422	2258	1244	831
4590	1257	1732	444	2258	1244	841
4890	1338	1846	426	2405	1325	874
5250	1338	1846	450	2405	1325	888
5610	1432	1974	431	2405	1418	936
6000	1432	1974	457	2577	1418	936
6450	1432	1974	483	2577	1418	950
6900	1533	2112	462	2757	1518	1001
7350	1533	2112	488	2757	1518	1001
7800	1533	2112	514	2757	1518	1015
8300	1621	2234	489	2916	1605	1059
8700	1621	2234	517	2916	1605	1059
9300	1621	2234	545	2916	1605	1074
9900	1726	2380	520	3015	1709	1128
10500	1726	2380	550	3105	1709	1128
11100	1726	2380	580	3105	1709	1138
11700	1819	2507	554	3273	1801	1188
12300	1819	2507	580	3273	1801	1188
12900	1819	2507	607	3273	1801	1200
13500	1904	2624	577	3425	1885	1243
14100	1904	2624	607	3425	1885	1243
14700	1904	2624	650	3425	1885	1243
15400	1904	2624	657	3425	1885	1263
16100	2018	2782	612	3632	1998	1318
16900	2018	2782	638	3632	1998	1318
17800	2018	2782	683	3632	1998	1318
18800	2018	2782	699	3632	1998	1343
20000	2170	2990	652	3905	2148	1416

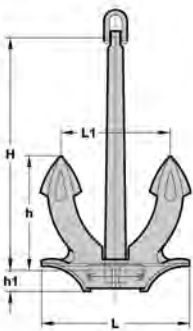
TYPE SR SPEK ANCHOR



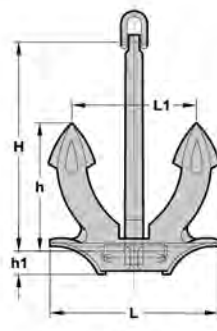
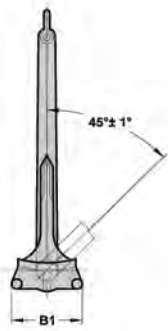
Nominal Weight (kg)	Size (mm)			
	A	B	B1	G
210	900	500	340	690
240	900	550	390	760
300	1080	600	412	828
420	1080	600	412	828
450	1080	600	412	828
480	1170	650	442	900
570	1170	650	442	900
610	1260	700	472	962
660	1260	700	472	962
750	1350	750	508	1032
780	1350	750	519	1032
900	1440	800	547	1100
1020	1440	850	573	1170
1040	1530	900	591	1240
1100	1620	900	620	1240
1200	1620	950	640	1300
1300	1710	950	640	1300
1400	1710	950	671	1300
1500	1710	950	671	1300
1650	1710	1000	669	1378
1800	1800	1050	704	1454
1920	1890	1050	717	1454
2100	1890	1050	736	1454
2190	1890	1050	736	1454
2280	1890	1100	764	1454
2460	1980	1150	794	1584
2640	2070	1150	804	1584
2850	2160	1200	812	1650
3300	2160	1200	834	1650

Nominal Weight (kg)	Size (mm)			
	A	B	B1	G
3540	2160	1200	834	1650
3780	2430	1350	880	1850
4050	2430	1350	914	1850
4320	2520	1400	917	1926
4590	2520	1400	931	1926
4890	2520	1400	954	1926
5250	2610	1450	964	2000
5610	2610	1450	981	2000
5800	2700	1500	1006	2060
6000	2700	1500	1006	2060
6450	2700	1500	1023	2060
6900	2790	1550	1034	2138
7350	2790	1550	1062	2138
7800	2790	1550	1091	2138
8000	2790	1550	1091	2138
8300	3060	1700	1125	2332
8700	3060	1700	1166	2332
9300	3060	1700	1188	2332
9900	3060	1700	1188	2332
10500	3186	1770	1197	2440
11100	3186	1770	1212	2440
11700	3186	1770	1237	2440
12300	3438	1910	1260	2632
12900	3438	1910	1260	2632
13500	3438	1910	1316	2632
14700	3690	2050	1369	2824
16900	3942	2120	1415	2922
18800	3942	2190	1461	3018
20000	3942	2190	1493	3018

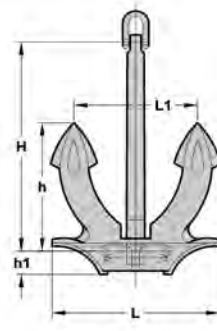
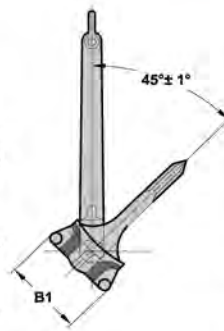
TYPE A, B, C HALL ANCHOR



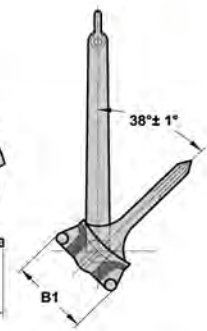
TYPE A HALL ANCHOR



TYPE B HALL ANCHOR



TYPE C HALL ANCHOR



Nominal Weight (kg)	Size (mm)							
	H			f	h1	L	L1	B1
	Type A	Type B	Type C					
40	557	557	430	303	67	430	303	198
60	637	637	492	347	76	492	347	227
100	760	760	590	410	90	584	410	227
125	814	814	629	443	97	629	443	290
150	866	866	665	470	103	760	470	308
180	919	919	718	500	109	710	500	327
240	1019	1019	788	552	120	790	552	361
300	1095	1095	850	595	130	844	595	388
360	1160	1160	898	630	138	898	630	412
420	1160	1160	946	660	145	946	660	434
480	1222	1222	986	690	152	988	690	454
570	1355	1355	1042	732	161	1042	732	481
660	1356	1356	1093	769	169	1096	769	506
780	1506	1506	1170	813	178	1160	813	535
900	1580	1580	1215	855	188	1220	855	560
1020	1645	1645	1268	855	188	1220	855	560
1140	1705	1705	1316	926	203	1319	926	605
1290	1778	1778	1378	891	195	1268	891	584
1440	1844	1844	1448	965	203	1379	965	630
1590	1906	1906	1511	1035	226	1475	1035	677
1740	1966	1966	1571	1068	234	1517	1068	698
1920	2031	2031	1602	1104	241	1568	1104	722
2100	2093	2093	1651	1120	245	1560	1120	732
2280	2150	2150	1716	1165	225	1657	1165	763
2460	2207	2207	1785	1194	262	1700	1194	784
2640	2259	2259	1843	1222	265	1730	1222	796
2850	2318	2318	1890	1253	275	1787	1253	822
3060	2374	2374	1935	1283	282	1832	1283	841
3300	2432	2432	1985	1317	288	1880	1317	862
3540	2490	2490	2032	1349	295	1926	1394	883
3780	2547	2547	2077	1376	302	1965	1376	902
4050	2610	2610	2125	1406	309	2008	1406	924
4320	2695	2695	2171	1435	316	2051	1435	943
4590	2712	2712	2216	1465	332	2093	1465	962
4890	2769	2769	2263	1498	329	2135	1498	984
5000	2800	2800	2317	1510	332	2156	1510	992
5610	2899	2899	2369	1569	345	2234	1569	1031

TYPE A, B, C HALL ANCHOR



TYPE A HALL ANCHOR



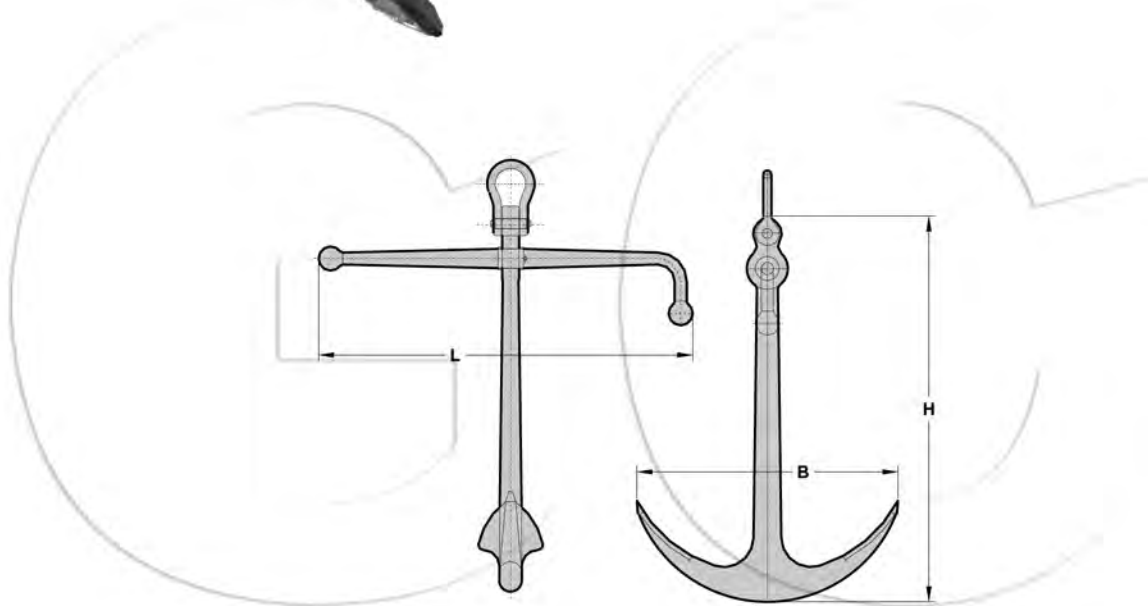
TYPE B HALL ANCHOR



TYPE C HALL ANCHOR

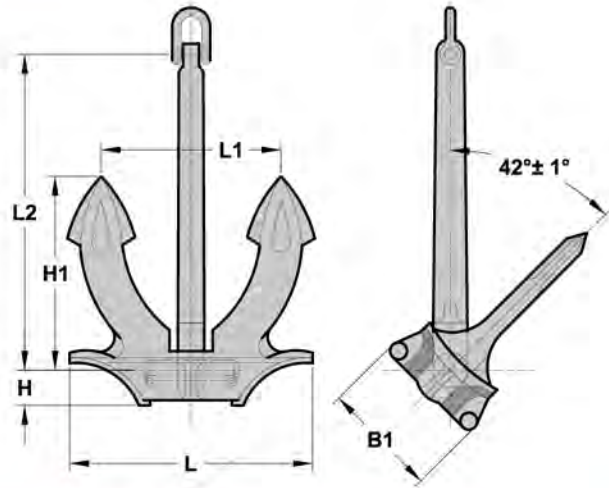
Nominal Weight (kg)	Size (mm)							
	H			h	h1	L	L1	B1
	Type A	Type B	Type C					
6000	2965	2965	2422	1605	352	2284	1605	1054
6450	3037	3037	2482	1644	361	2340	1644	1080
6900	3100	3100	2538	1681	369	2393	1681	1105
7350	3100	3100	2592	1688	370	2400	1688	1109
7800	3235	3235	2644	1752	385	2493	1752	1152
8300	3363	3363	2699	1788	393	2545	1788	1176
8700	3355	3355	2742	1816	399	2585	1816	1195
9300	3430	3430	2804	1850	417	2632	1850	1226
9900	3502	3502	2863	1896	417	2699	1896	1248
10500	3571	3571	2920	1934	425	2752	1934	1273
11100	3638	3638	2975	1970	433	2803	1970	1297
11700	3702	3702	3028	2005	441	2853	2005	1320
12300	3764	3764	3079	2039	448	2901	2039	1342
12900	3824	3824	3128	2072	455	2947	2072	1363
13500	3882	3882	3176	2104	462	2992	2104	1384
14100	3939	3939	3222	2135	469	3036	2135	1404
14700	3994	3994	3267	2165	476	3078	2165	1424
15400	4056	4056	3299	2199	483	3126	2199	1446
16100	4117	4117	3368	2232	490	3173	2232	1468
16900	4184	4184	3423	2268	498	3225	2268	1492
17800	4252	4252	3479	2308	506	3281	2308	1518
18800	4330	4330	3543	2350	516	3341	2350	1546
20000	4420	4420	3617	2399	526	3411	2399	1578
21500	4528	4528	3705	2458	539	3494	2458	1617
23000	4631	4631	3789	2514	551	3573	2514	1654
24500	4730	4730	3870	2568	563	3649	2568	1689
26000	4825	4825	3947	2619	574	3722	2619	1723
27500	4916	4916	4021	2668	585	3792	2668	1756
29000	5004	5004	4093	2716	595	3860	2716	1787
31000	5126	5126	4188	2774	609	3949	2774	1822
33000	5234	5234	4276	2833	622	4032	2833	1860
35500	5363	5363	4381	2903	637	4132	2903	1906
38500	5510	5510	4502	2982	655	4245	2982	1958
42000	5672	5672	4634	3070	674	4370	3070	2015
46000	5847	5847	4777	3165	695	4505	3165	2078

JAPAN STOCK ANCHOR



Nominal Weight (kg)	Size (mm)		
	A	E	C
500	2000	2065	1350
700	2260	2335	1510
750	2310	2342	1560
1000	2550	2637	1700
1500	2890	2960	1950
2000	3160	3272	2140
3000	3630	3555	2650
3500	3810	3820	2570
4000	4000	4135	2920
5000	4310	4470	3140
6000	4580	4740	3330
7000	4820	4980	3530
8000	5040	5215	3620

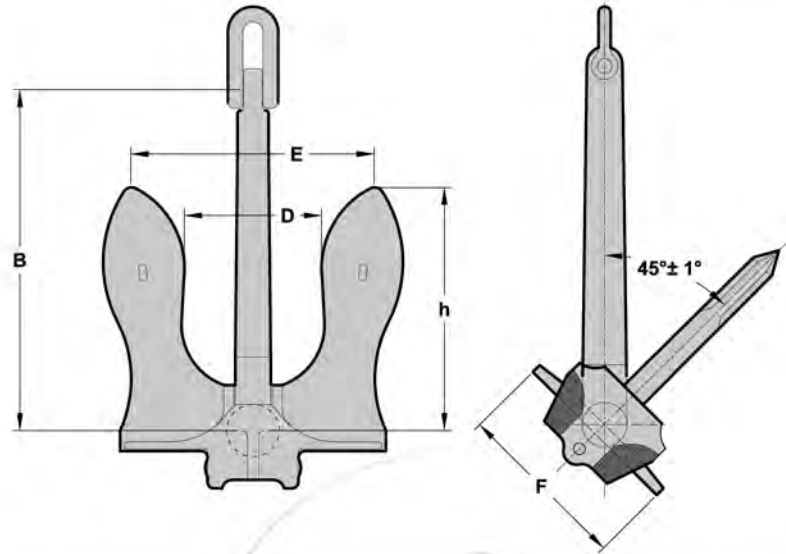
JAPAN STOCKLESS ANCHOR



Nominal Weight (kg)	Size (mm)					
	L	L1	L2	H	H1	B1
180	650	459	910	111	480	280
240	720	510	1010	122	530	310
300	770	540	1080	131	570	331
360	820	580	1150	139	610	353
420	860	610	1200	146	640	370
480	900	640	1260	153	670	387
570	950	670	1330	162	700	408
660	1000	710	1440	170	740	430
780	1060	750	1480	180	780	456
900	1110	780	1550	189	820	477
1020	1160	820	1620	197	860	500
1140	1200	850	1680	204	890	520
1290	1250	880	1750	212	920	540
1440	1300	920	1820	221	960	560
1590	1340	950	1880	228	990	580
1740	1380	980	1930	235	1020	600
1920	1430	1010	2000	243	1060	620
2100	1470	1040	2060	250	1090	640
2280	1510	1070	2110	257	1120	650
2460	1550	1100	2170	264	1150	670
2640	1590	1120	2230	270	1180	690
2850	1630	1150	2280	277	1210	700
3060	1670	1180	2340	284	1240	720
3300	1710	1210	2390	291	1270	740
3540	1750	1240	2450	298	1290	750
3780	1790	1260	2510	304	1320	770
4050	1830	1290	2560	311	1350	790
4320	1870	1320	2620	318	1380	800
4590	1910	1350	2670	325	1410	820
4890	1950	1380	2730	332	1440	840
5250	2000	1410	2800	340	1480	860
5610	2040	1440	2860	347	1510	880
6000	2090	1480	2930	355	1540	900

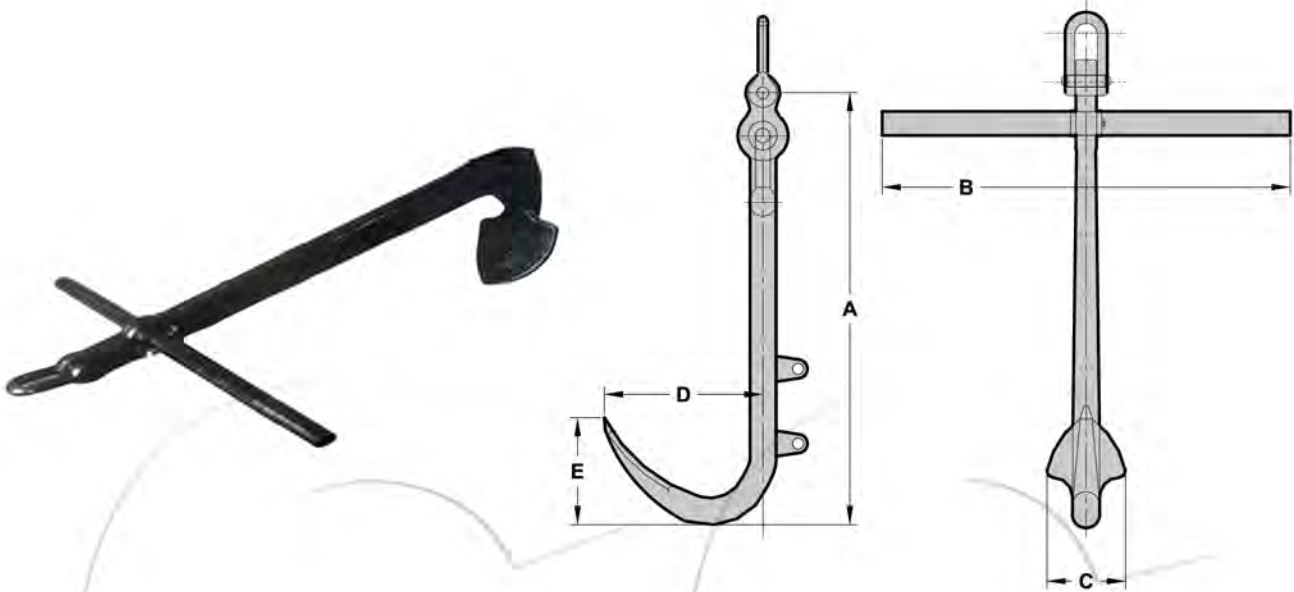
Nominal Weight (kg)	Size (mm)					
	L	L1	L2	H	H1	B1
6450	2140	1510	3000	364	1580	920
6900	2190	1550	3070	372	1620	940
7350	2240	1600	3140	380	1660	960
7800	2280	1610	3190	388	1680	980
8300	2330	1650	3260	396	1720	1000
8700	2380	1670	3320	403	1750	1020
9300	2420	1710	3390	411	1790	1040
9900	2470	1740	3460	420	1820	1060
10500	2520	1800	3530	428	1880	1090
11100	2570	1800	3600	437	1880	1090
11700	2610	1855	3650	444	1945	1130
12300	2650	1855	3710	450	1945	1130
12900	2690	1885	3870	457	1975	1170
13500	2740	1885	3840	466	1975	1170
14100	2780	1960	3890	473	2050	1200
14700	2820	1990	3950	479	2080	1210
15400	2860	2020	4000	486	2110	1230
16100	2900	2050	4060	493	2140	1250
16900	2955	2080	4130	500	2180	1270
17800	3000	2120	4200	510	2210	1290
18800	3060	2160	4280	520	2260	1320
20000	3120	2200	4370	530	2300	1340
21500	3200	2260	4480	540	2360	1380
23000	3270	2310	4580	560	2410	1410
24500	3340	2360	4680	570	2460	1440
26000	3410	2410	4770	580	2520	1470
27500	3470	2450	4860	590	2560	1490
29000	3530	2490	4940	600	2660	1550
33000	3690	2610	5170	630	2720	1590
35500	3780	2670	5290	640	2790	1630
38500	3880	2740	5430	660	2860	1670
42000	4000	2820	5600	680	2950	1720
46000	4120	2910	5770	700	3040	1770

U.S.N (NAVY) STOCKLESS ANCHOR



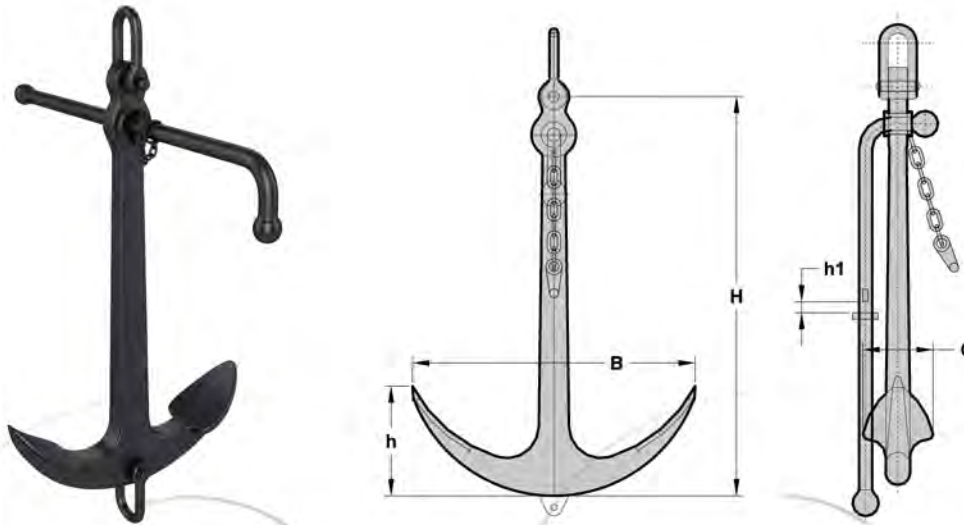
Nominal Weight (kg)	Size (mm)				
	B	D	E	F	h
300	727	319	562	348	510
400	800	351	619	364	570
500	863	379	666	412	614
600	914	402	708	438	652
750	984	423	763	461	687
800	1008	443	778	483	710
1000	1071	477	839	520	773
1200	1152	507	892	532	822
1300	1184	521	926	567	844
1500	1244	546	962	596	883
1800	1320	580	1021	632	941
2000	1371	601	1058	655	975
2200	1412	621	1092	676	1006
2500	1473	648	1139	706	1050
3000	1564	704	1270	775	1090
3500	1641	725	1275	790	1175
4000	1724	758	1333	826	1228
5000	1884	816	1436	889	1323
6000	1974	867	1528	947	1403
7000	2082	913	1606	996	1480
8000	2171	955	1679	1040	1547
9000	2257	993	1747	1082	1609
10000	2336	1028	1809	1120	1667
11000	2413	1062	1868	1158	1721
12000	2486	1093	1924	1193	1771
13000	2540	1122	1965	1194	1819
14500	2641	1144	2047	1270	1887
15000	2679	1177	2089	1295	1908
16000	2735	1203	2116	1311	1950
18000	2844	1251	2200	1365	2028
20000	2946	1296	2280	1412	2100
22500	3060	1345	2370	1463	2134
25000	3174	1396	2456	1521	2262
30000	3371	1483	2628	1643	2404

SINGLE FLUKE ANCHOR



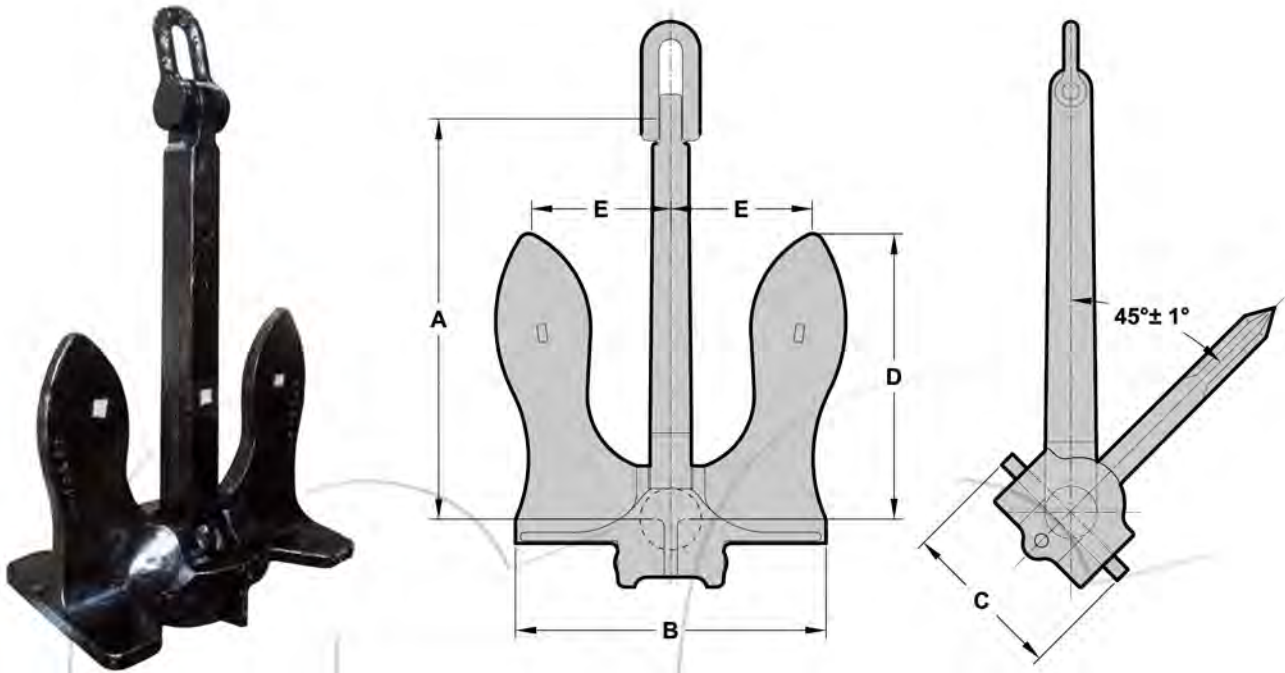
Nominal Weight (kg)	Size (mm)				
	A	B	C	D	E
75	1310	1100	360	455	465
100	1445	1200	400	500	510
150	1650	1380	455	575	585
200	1820	1520	505	630	645
300	2080	1740	575	725	735
400	2290	1915	635	800	810
500	2470	2065	680	855	875
600	2620	2190	725	910	930
800	2890	2415	800	1000	1020
1000	3110	2600	860	1080	1100
1250	3350	2800	925	1165	1185
1500	3560	2980	985	1235	1260
1750	3750	3135	1035	1300	1325
2000	3920	3275	1085	1360	1385
3000	4485	3750	1240	1555	1585
4000	4940	4125	1360	1710	1745
5000	5320	4440	1472	1845	1880
6000	5650	4720	1560	1960	1995
7000	5950	4970	1645	2065	2100
8000	6220	5200	1720	2155	2200
9000	6468	5400	1790	2240	2288
10000	6700	5600	1852	2320	2154
12000	7115	5950	1968	2465	2516
15000	7670	6410	2120	2657	2710
18000	8148	6810	2253	2823	2882
20000	8400	7020	2320	2910	2970
22000	8710	7275	2410	3020	3074
25000	9080	7590	2510	3146	3212

GB/T545-1996 ADMIRALTY ANCHOR



Nominal Weight (kg)	Size (mm)				
	H	h	h1	B	C
50	960	230	42	635	185
75	1105	266	45	710	210
100	1215	293	49	780	230
125	1310	316	52	840	245
150	1395	336	55	900	265
200	1535	370	61	990	290
250	1650	398	65	1065	310
300	1755	423	70	1105	330
400	1930	465	77	1240	365
500	2080	502	84	1335	390
600	2210	533	89	1440	415
700	2330	560	93	1500	440
800	2435	587	97	1570	460
900	2530	610	101	1630	475
1000	2620	633	104	1685	495
1250	2825	680	112	1810	535
1500	3000	725	118	1955	565
2000	3300	797	131	2140	625
2500	3550	857	138	2270	672
3000	3780	912	150	2415	715
3500	3980	960	158	2540	750
4000	4160	1000	155	2650	785
5000	4480	1100	184	2830	800
6000	4740	1113	190	3000	838
7000	5025	1180	200	3165	960
8000	5240	1280	210	3300	980
9000	5450	1330	220	3440	990
10000	5680	1340	230	3600	1085

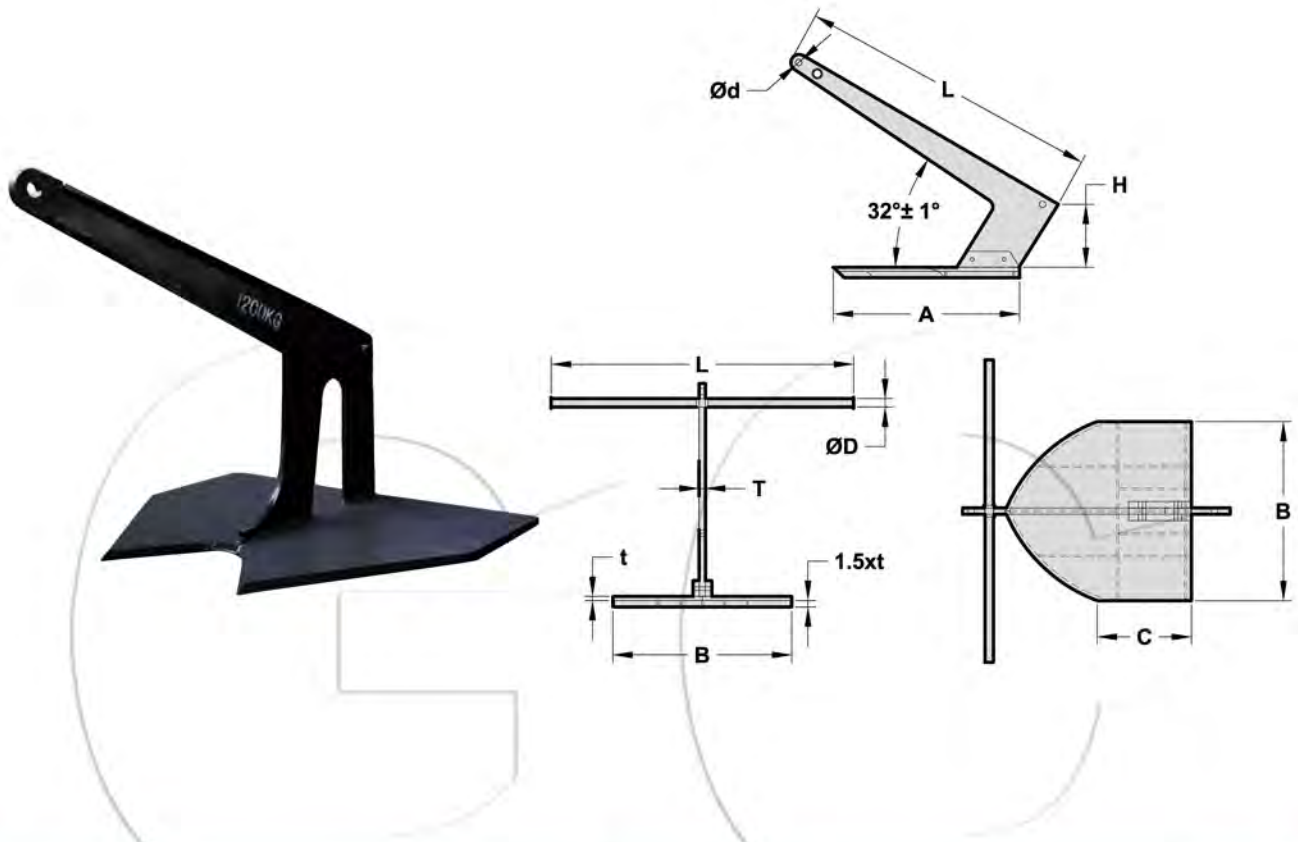
BELDT STOCKLESS ANCHOR



Nominal Weight (kg)	Size (mm)				
	A	B	C	D	E
160	634	404	219	336	175
200	685	457	241	366	191
250	749	524	269	404	210
300	812	590	296	442	230
400	812	654	330	482	250
500	900	673	356	530	288
750	965	770	407	584	308
1000	1067	854	457	640	348
1250	1165	923	475	720	370
1500	1232	1005	515	748	392
2000	1370	1092	558	848	430
2100	1370	1092	558	848	436
2500	1473	1136	568	848	448
3000	1625	1194	648	912	483
3500	1625	1340	698	1003	500
4000	1734	1354	705	1054	518
4500	1794	1440	735	1066	563
5000	1930	1460	762	1130	588
6000	1930	1613	844	1194	642
6300	1930	1613	844	1194	642

Nominal Weight (kg)	Size (mm)				
	A	B	C	D	E
7000	2082	1691	882	1263	668
8000	2265	1691	894	1276	668
9000	2438	1784	924	1314	695
9500	2438	1851	957	1392	710
10000	2438	1918	990	1470	725
11000	2438	1950	1016	1473	778
12000	2438	1950	1016	1473	778
13000	2489	1949	1016	1473	799
14000	2616	2045	1118	1524	818
15000	2616	2184	1168	1600	875
16000	2738	2184	1168	1651	875
17200	2738	2184	1222	1660	875
18000	2850	2240	1232	1667	888
20000	2840	2440	1270	1866	990
25000	3048	2616	1365	1968	990
30000	3251	2794	1454	2096	1052
35000	3429	2946	1524	2210	1107
40000	3556	3073	1600	2311	1157
45000	3733	3200	1651	2388	1203
50000	3860	3327	1727	2515	1246

EGERSUND PLOUGH ANCHOR

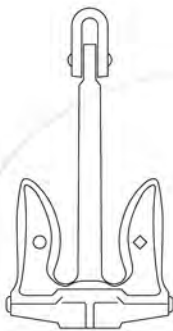


Weight (kg)	Fluke				Shank				Stock
	A	B	C	t	T	L	H	Ød	ØD
300	1030	945	550	20	34	1650	393	50	50
500	1290	1220	650	22	40	2100	440	50	50
700	1400	1280	700	28	45	2350	492	60	60
1000	1560	1480	780	30	50	2590	551	60	70
1500	1760	1690	890	39	60	2865	594	60	80
2000	1970	1840	940	40	65	3000	712	75	900
2500	2100	1980	970	45	70	3200	765	80	95
3000	2200	2070	1050	50	75	3355	95	85	100

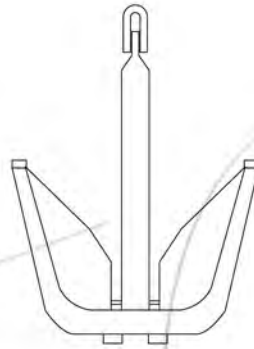
OTHER ANCHOR

If you are in need of other types
not listed in our catalogue
please contact our sales department.

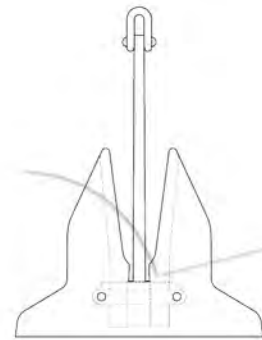
ANSALDO



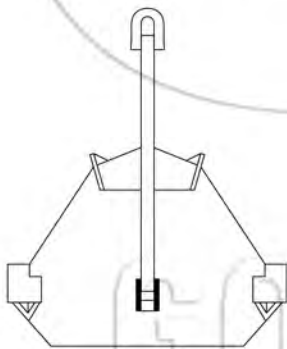
HEUSS - SPECIAL



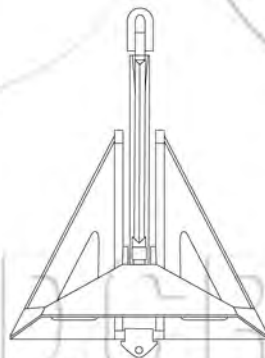
STOKES



HOOK



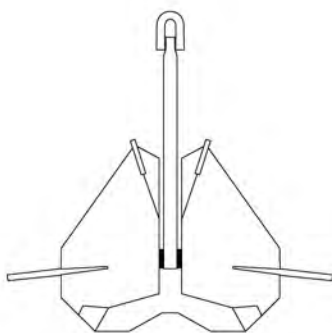
FLIPPER DELTA



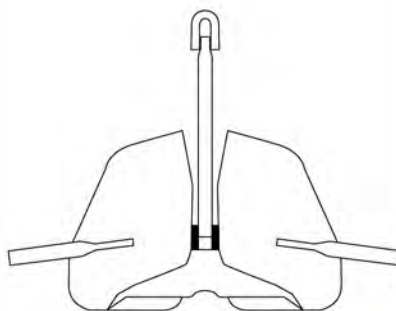
STEVIN



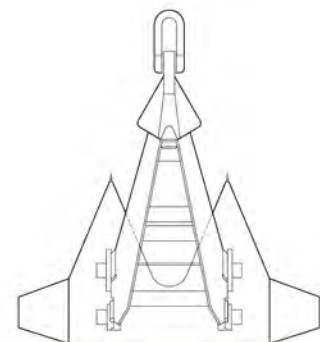
STEVFIX



STEV MUD

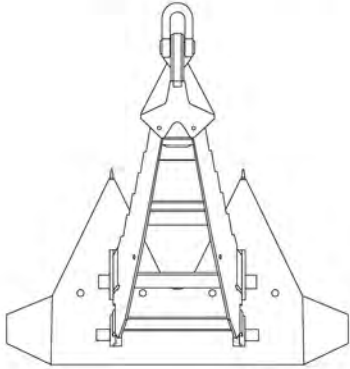


STEVPRIS

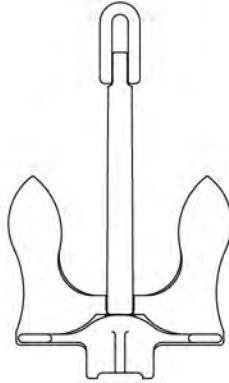


OTHER ANCHOR

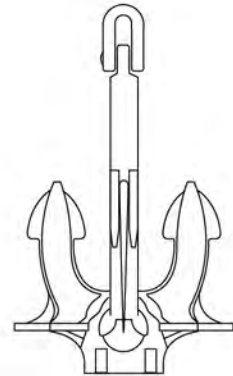
STEVSHARK



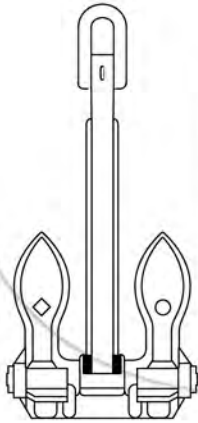
BALDT



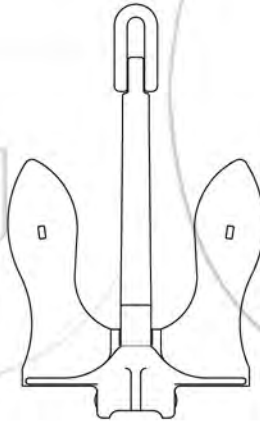
UNION



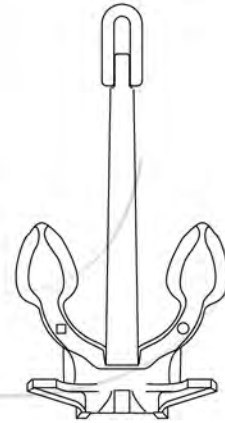
BYERS



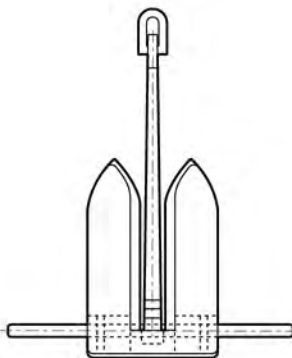
U.S. NAVY STOCKLESS



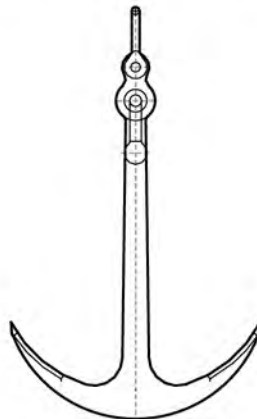
GRUSON



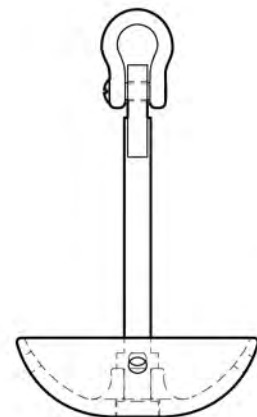
OFFDRILL



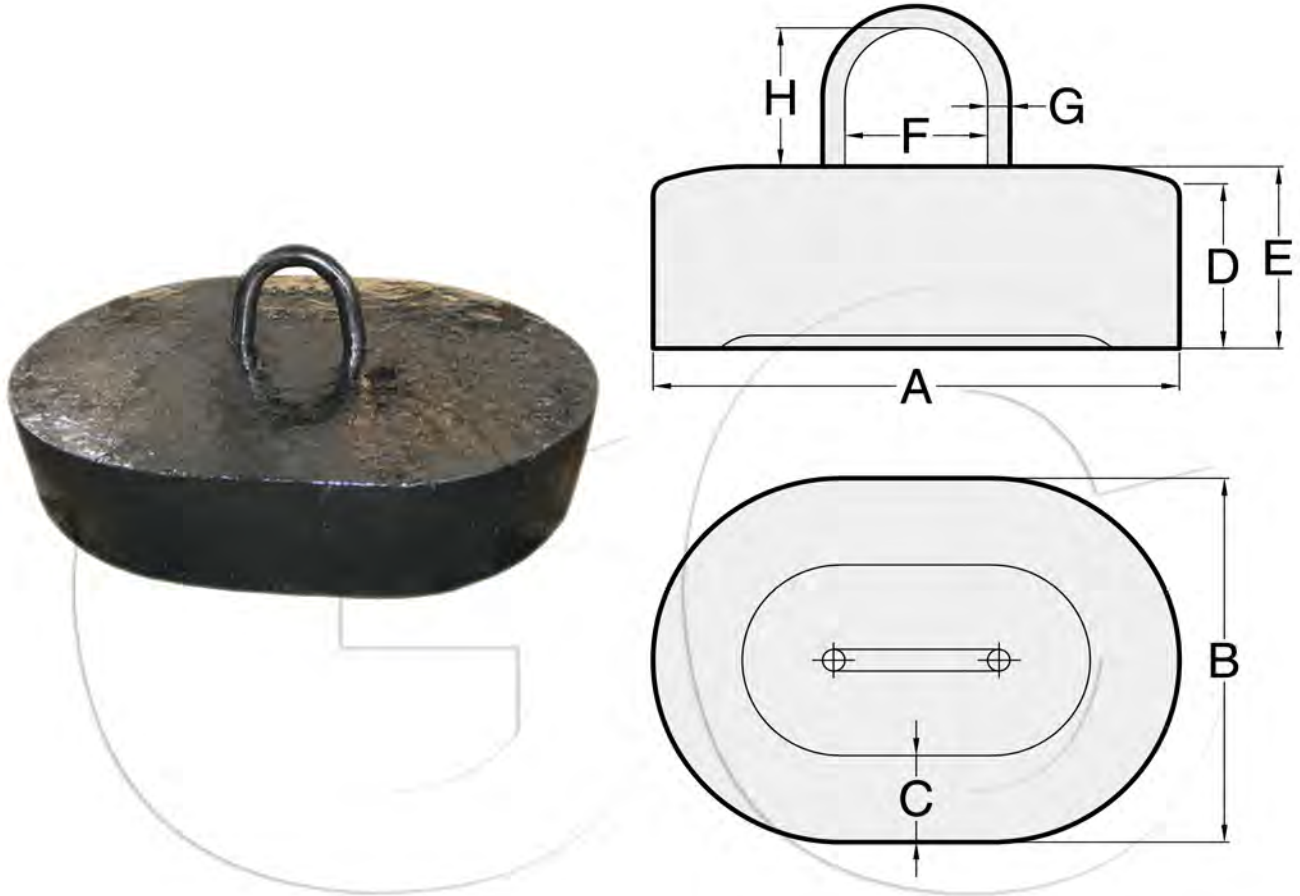
ADMIRALTY



MUSHROOM

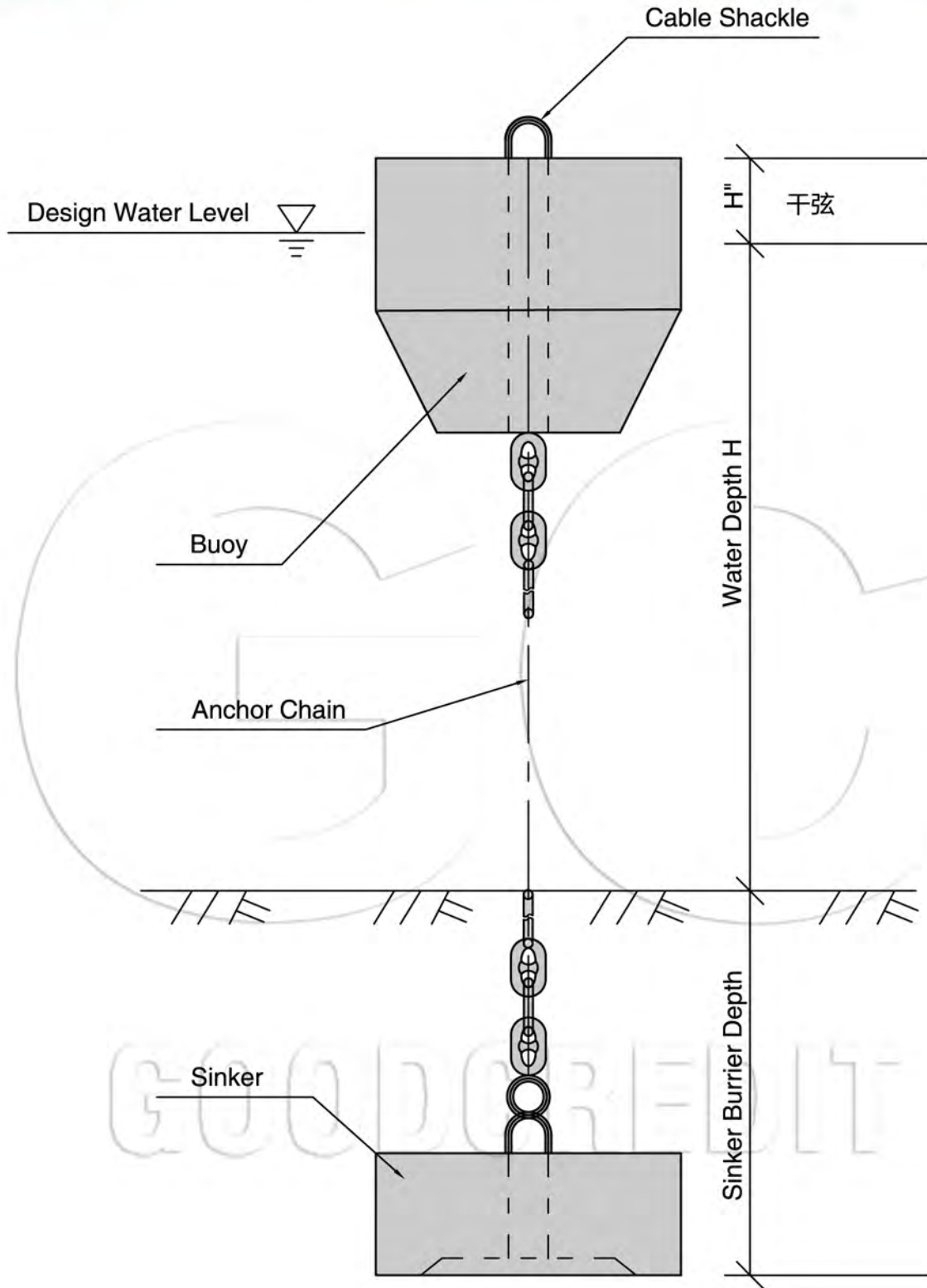


SINKER

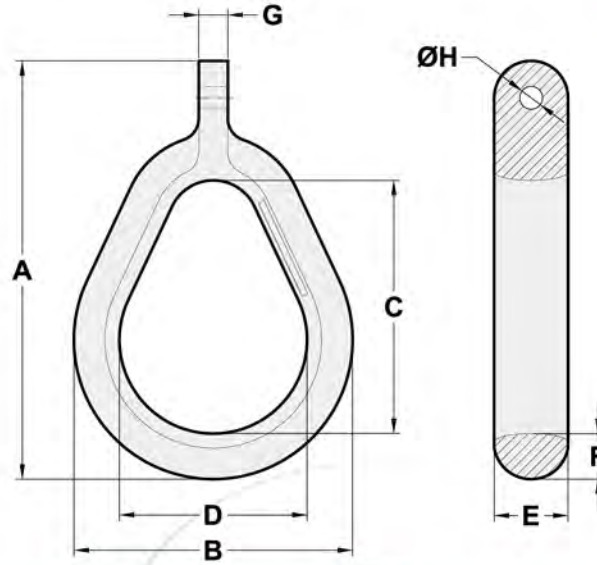


Model NO.	Size (mm)							
	A	B	C	D	E	F	G	H
250KG	590	420	100	190	210	130	25	160
500KG	780	590	150	210	250	160	30	160
1000KG	1100	900	150	170	200	160	60	160
1500KG	1250	940	150	210	250	210	70	210
2000KG	1350	1010	100	250	290	210	70	210
2500KG	1450	1035	150	280	320	210	70	210
3000KG	1550	1160	150	280	320	210	70	210
4000KG	1580	1300	150	330	370	210	75	260
5000KG	1830	1370	150	360	400	210	75	260
7000KG	1830	1370	150	500	540	210	75	260

SINKER

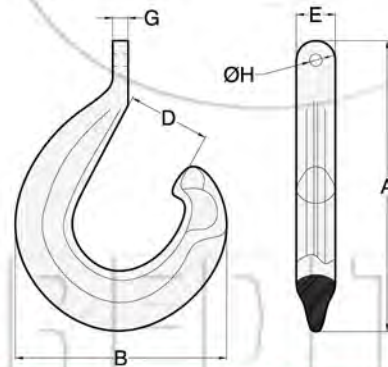


CHASER TYPE SOT



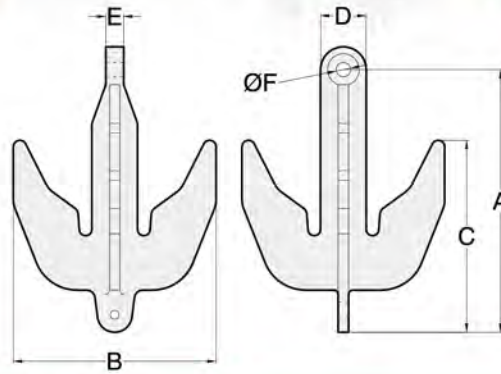
Model NO.	Size (mm)							
	A	B	C	D	E	F	G	H
100	1657	1143	991	762	305	191	124	86
130	1702	1168	991	762	381	203	130	99
130	1867	1245	1130	838	330	203	130	99
250	2040	1361	1130	838	406	/	191	144

J-CHASER HOOK



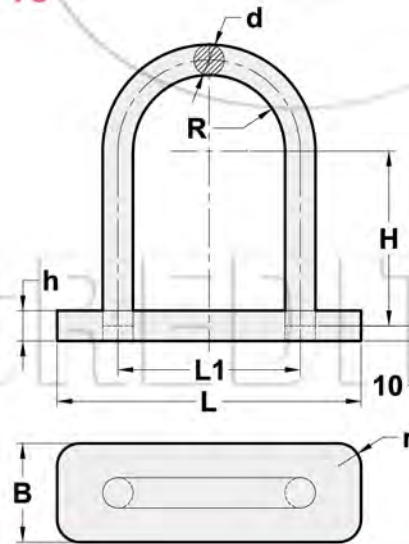
Model NO.	Size (mm)					
	A	B	D	E	G	H
10T	782	566	229	105	41	33
20T	1040	759	307	140	55	45
30T	1219	882	357	163	64	52
40T	1267	917	371	170	66	60
50T	1563	1131	458	209	82	67
75T	1912	1384	560	256	100	82
110T	2438	1829	699	306	124	86
130T	2438	1829	699	320	124	86
150T	2528	1832	740	338	132	108
250T	2390	1730	720	350	180	145

GRAPNEL HOOK



Model NO.	Size (mm)					
	A	B	C	D	E	F
10T	605	466	449	102	39	38
20T	800	617	594	135	51	50
30T	889	686	660	150	57	56
40T	1000	768	726	171	64	70
50T	1111	850	793	193	71	76
75T	1389	1054	958	264	89	90
110T	1778	1340	1190	320	114	110
130T	1778	1350	1200	330	114	110
150T	1786	1403	1240	337	117	118
250T	1823	1670	1440	370	130	145

CHAIN LOCKER EYE RING TYPE A CB 807-75



Dia. of Chain	Size (mm)							
	L	L1	B	H	d	R	h	r
13-15	200	120	65	115	20	50	20	15
17-19	240	145	70	130	25	60	20	15
22-25	330	200	90	210	40	80	25	15
23-31	410	250	100	250	50	100	30	15
34-37	500	305	130	270	65	120	40	15
40-43	600	365	150	295	75	140	40	15

MARINE CASTING STEEL

If you are in need of other types
not listed in our catalogue
please contact our sales department.



PANAMA CHOCK (TYPE BC)



PANAMA CHOCK (TYPE AC)



DIN81951 CHOCKS (TYPE A)



DIN81951 CHOCKS (TYPE C)



ISO13728 PANAMA CHOCK (TYPE A)



ISO13728 PANAMA CHOCK (TYPE B)



TOWING CHOCK (TYPE EU)



CURVED BOLLARD (TYPE A)



CURVED BOLLARD (TYPE B)



SINGLE-BITE BOLLARD (JIS TYPE)



J TYPE DOCK BOLLARD



TEE BOLLARD

MARINE CASTING STEEL



T-HEAD BOLLARD



TYPE STAG HORN BOLLARD



SINGLE-BITT (TYPE A)



DOUBLE BOLLARD



GB554-83 BOLLARD



ISO13795 BOLLARD (TYPE A)



ANCHOR SHACKLE



JIS F 2001-1990 BOLLAR



SINGLE CHASER HOOK



ANCHOR MOUTH



J LOCK CHASER



SPRING TOWING HOOK



SPRING TOWING HOOK



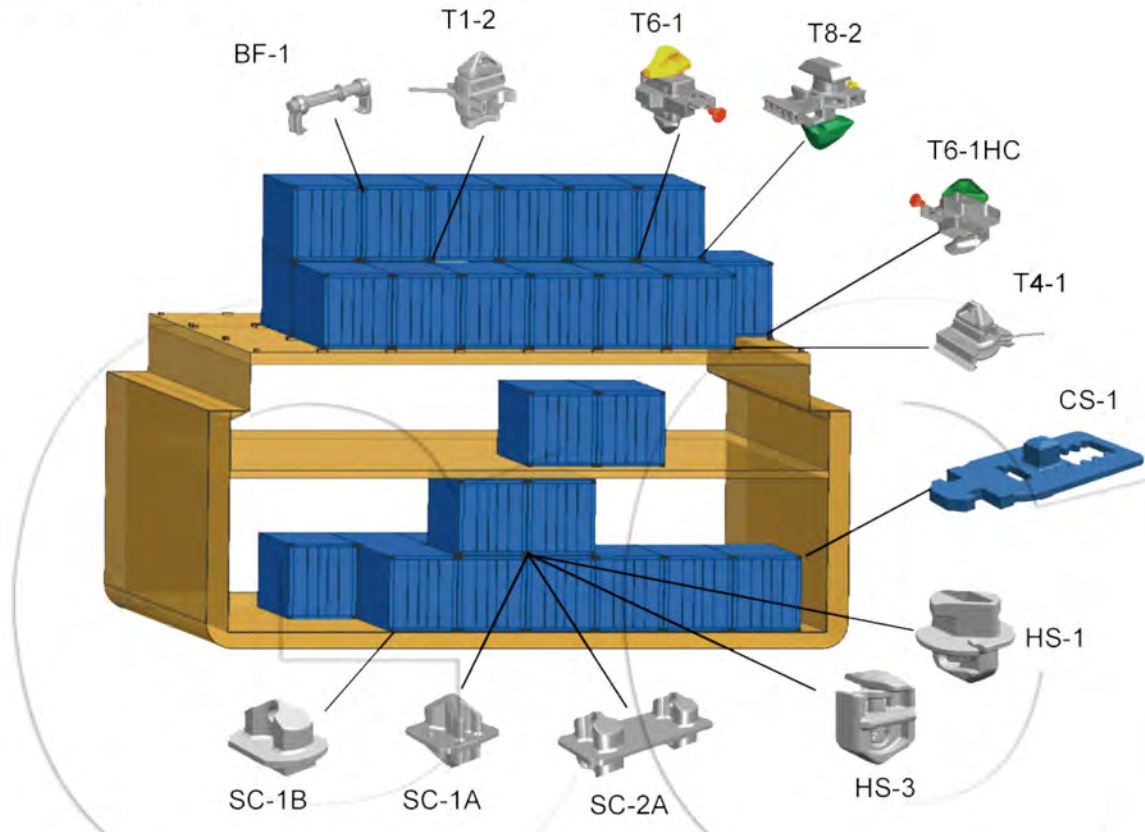
WARPING ROLLER DIN81906



WARPING ROLLER WITH PEDESTAL TYPE B DIN81907

GOODCREDIT

Loose Fittings



Fixed Fittings

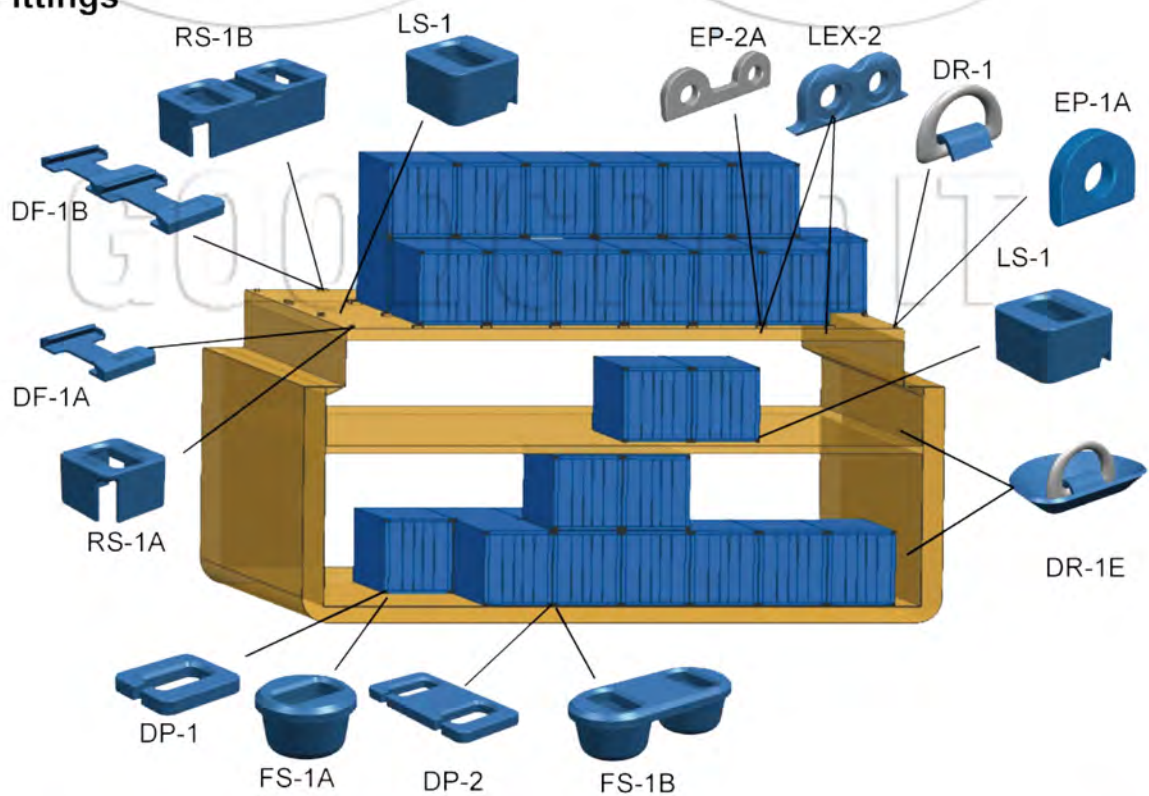
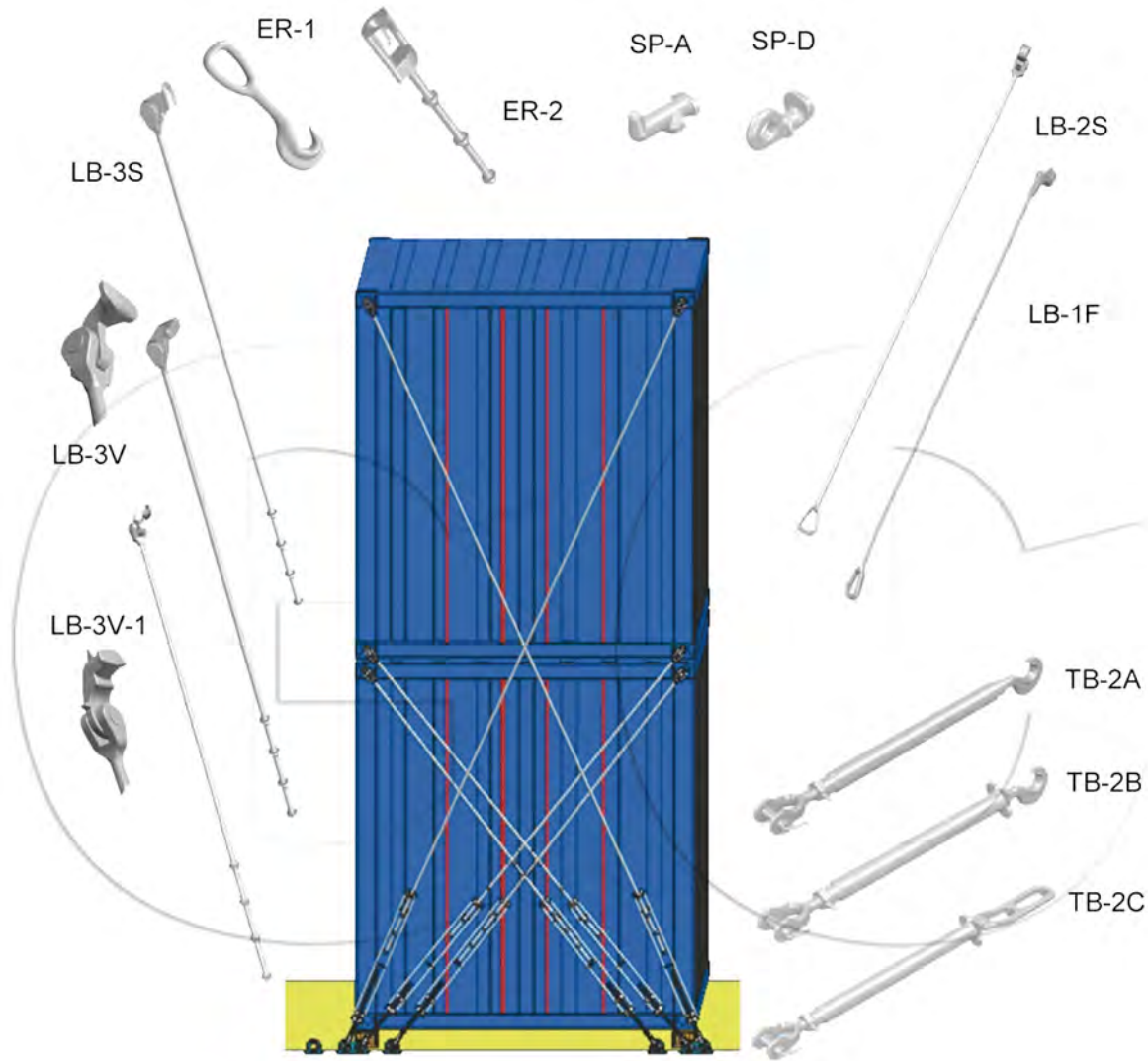


ILLUSTRATION FOR CONTAINER SECURING EQUIPMENT



TB-1A



TB-1B



TB-1C



TB-2B



TB-2C



TB-3



LB-2S



LB-3S



LB-3V



TB-E-65/TB-E-55

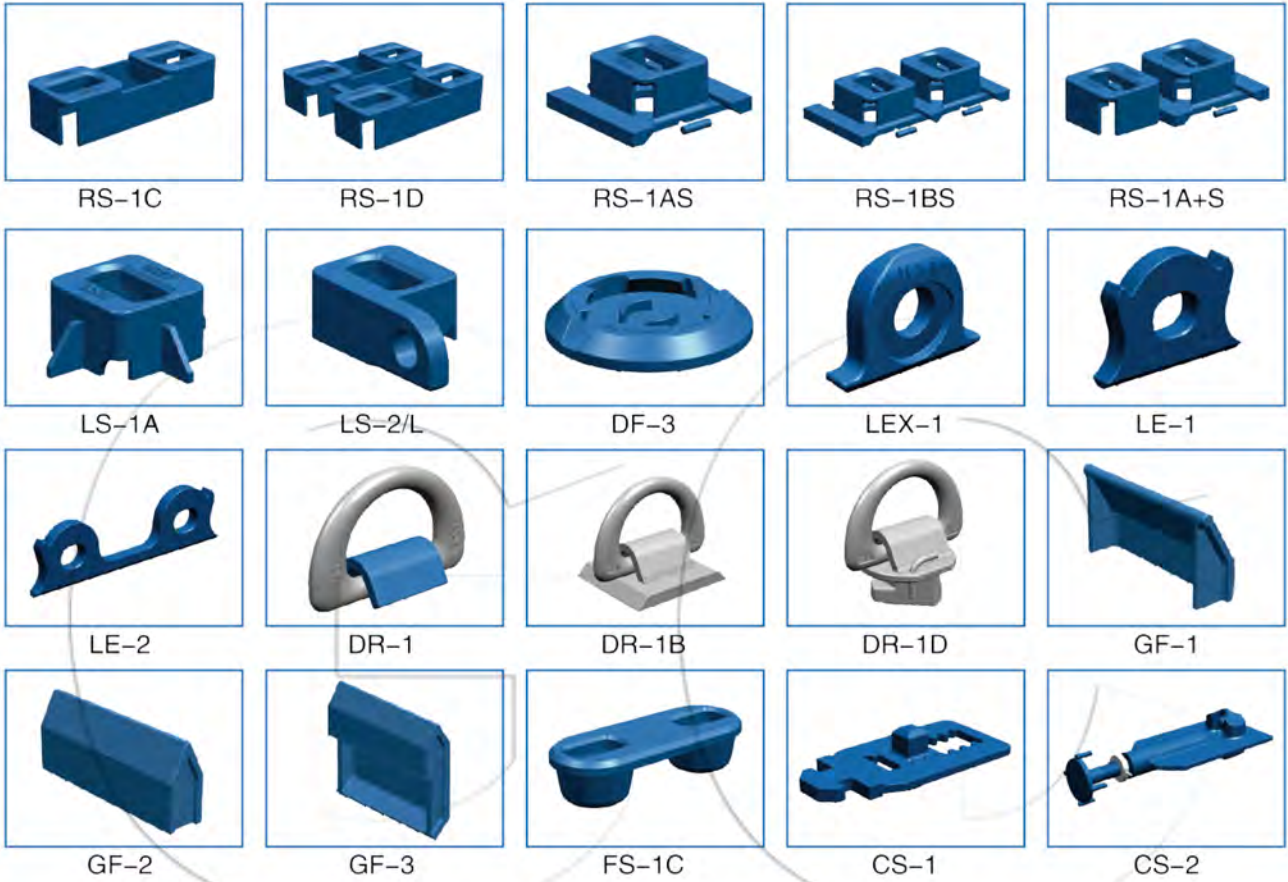


LB-2F-2



ER-1

FIXED FITTING



RoRo-equipment



ILLUSTRATION FOR CONTAINER SECURING EQUIPMENT



Tool accessories

Container corner casting/TR,RL, BR,BL

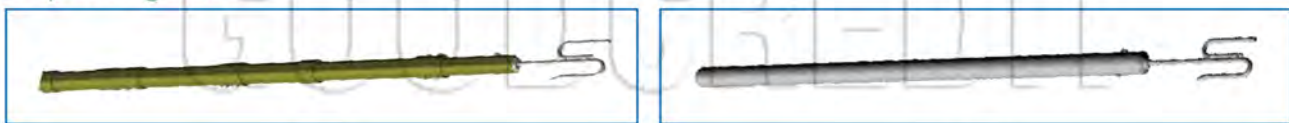
Operating wrench/bar



Operating rods

SP-1

L-1



AP-1

Emergency

AP-2



AP-3

ET-1

Flatracks and storage bins



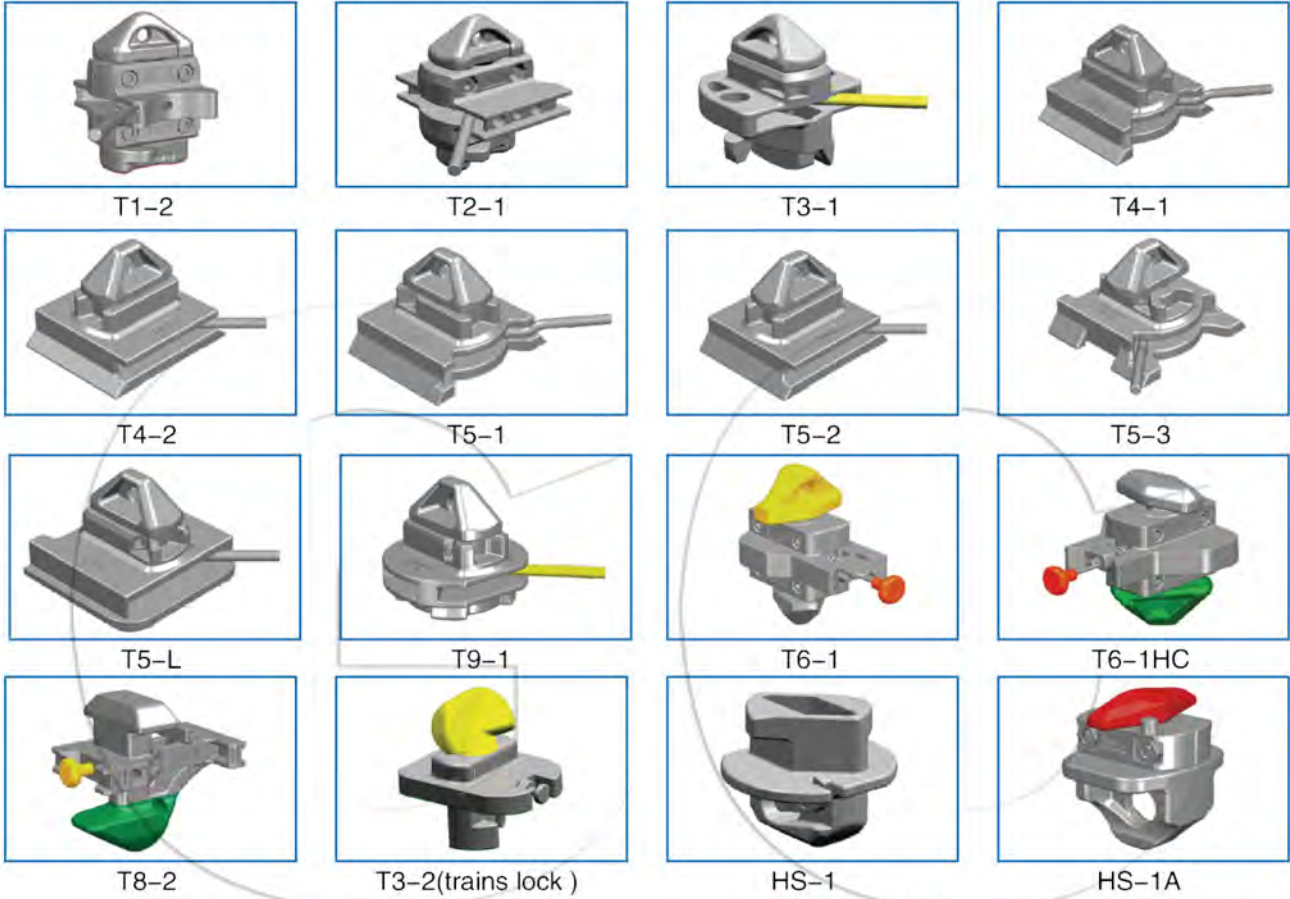
SB-1

FL-20'

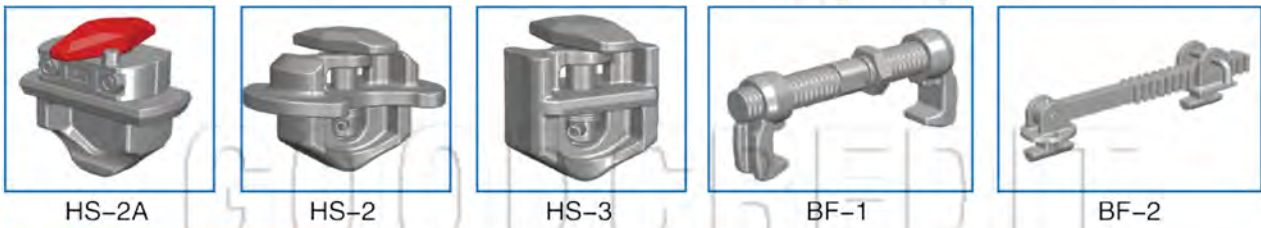
FL-40'

Loose fittings

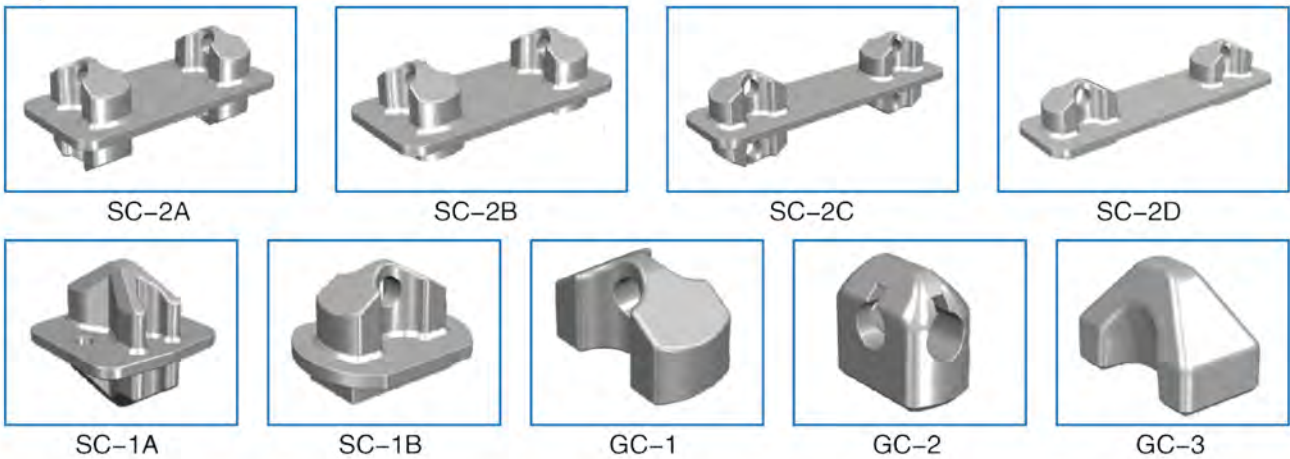
Twistlock



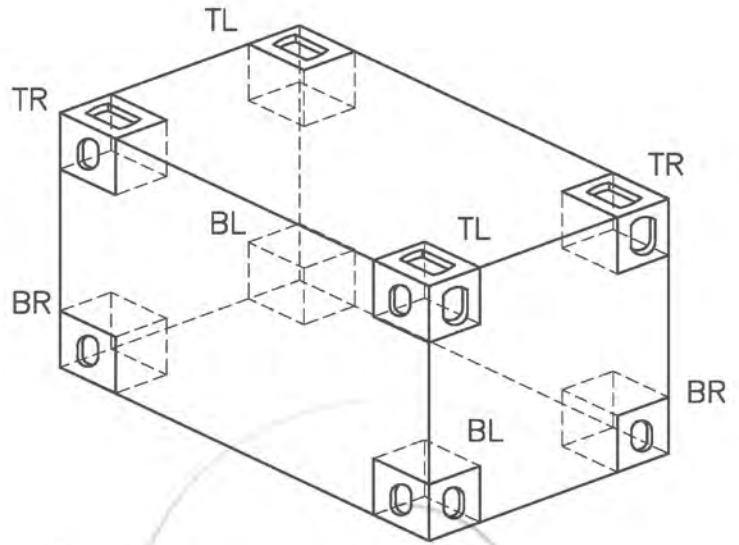
Bridge fitting



Stacking cones

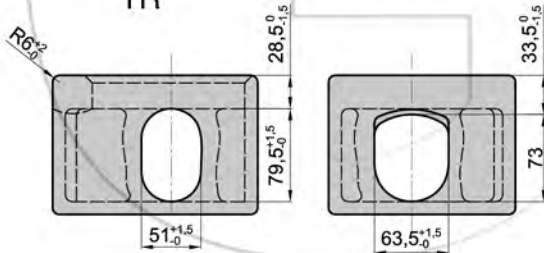


CONTAINER CASTING CORNER FITTINGS



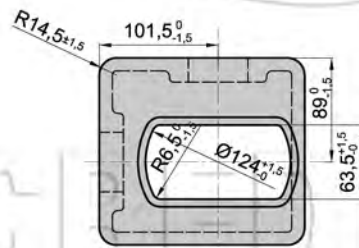
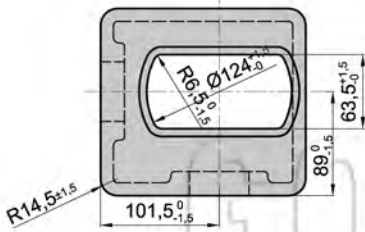
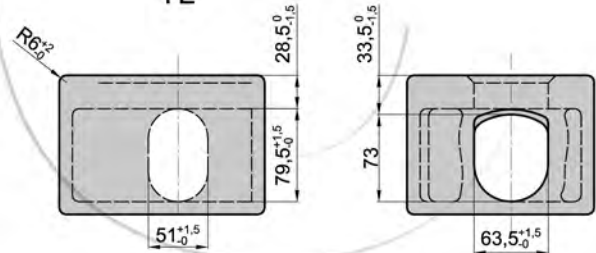
Top corner fitting
TR

right



TL

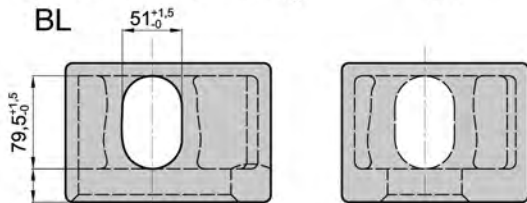
left



Bottom corner fitting

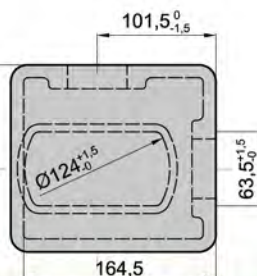
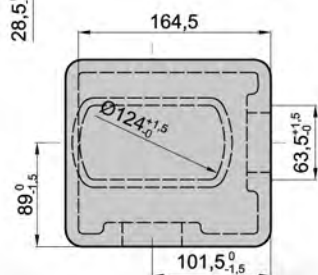
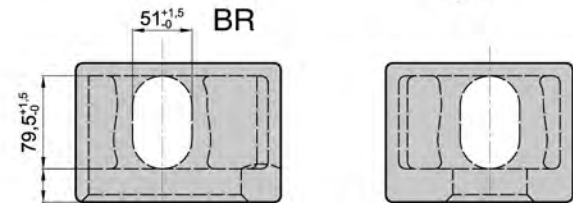
left

BL



right

BR





Qingdao Good Credit Metal Products Co., Ltd

ADD: NO. 296, Dianshan Er Road, Jimo District, Qingdao City, Shandong Province, CHINA.

TEL/FAX: +86-532-8659-7720

MOBILE: +86-139-5322-6067

WEBSITE: www.goodcreditmetal.com

E-MAIL: info@goodcreditmetal.com