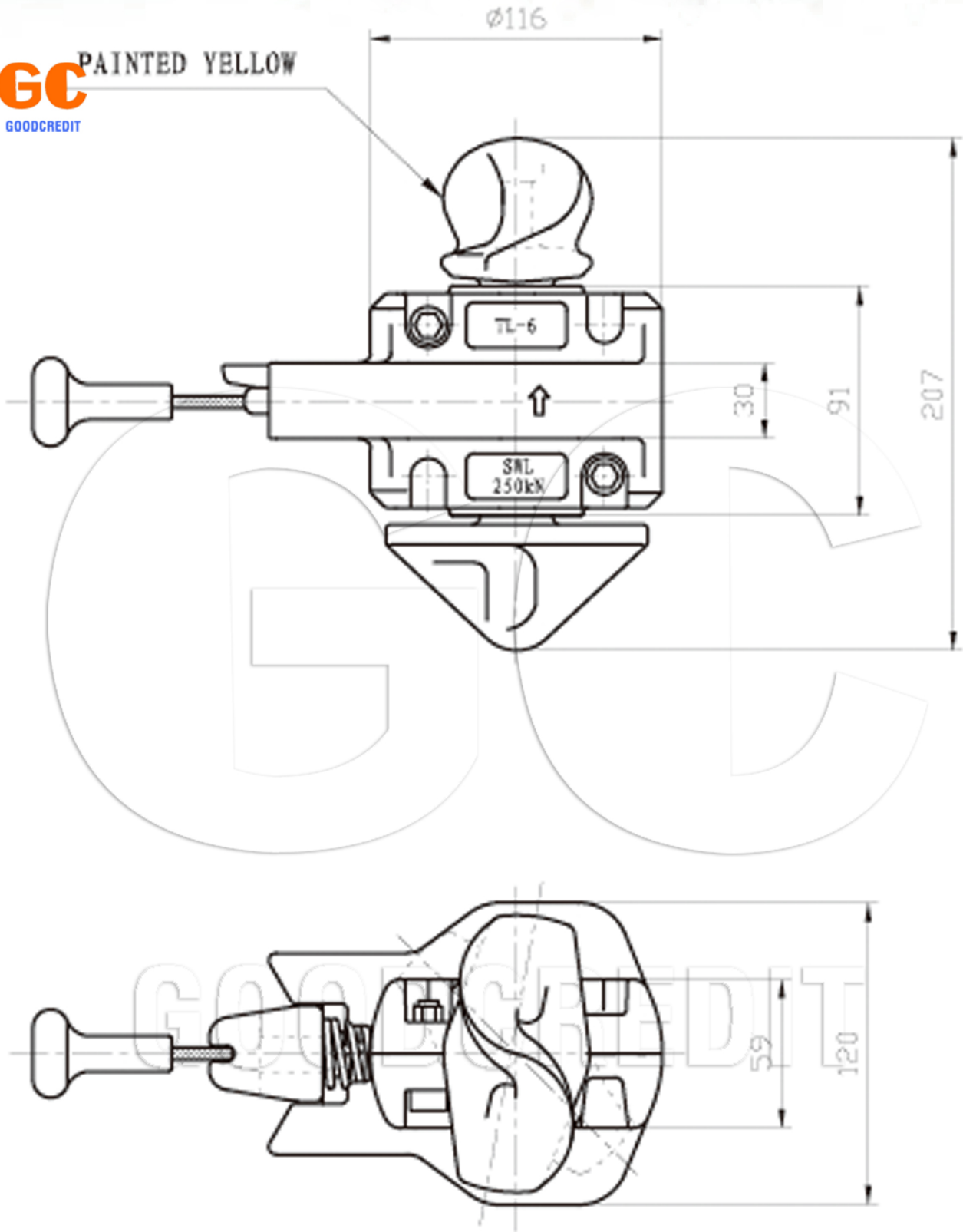




PAINTED YELLOW



SWL (T/S)	25/21TON
BL (T/S)	50/42TON
WEIGHT	FINISH
5.7kg	GALV.