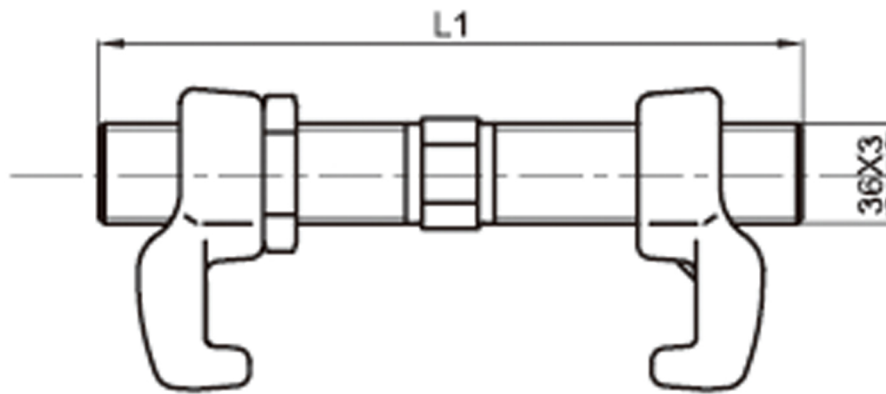
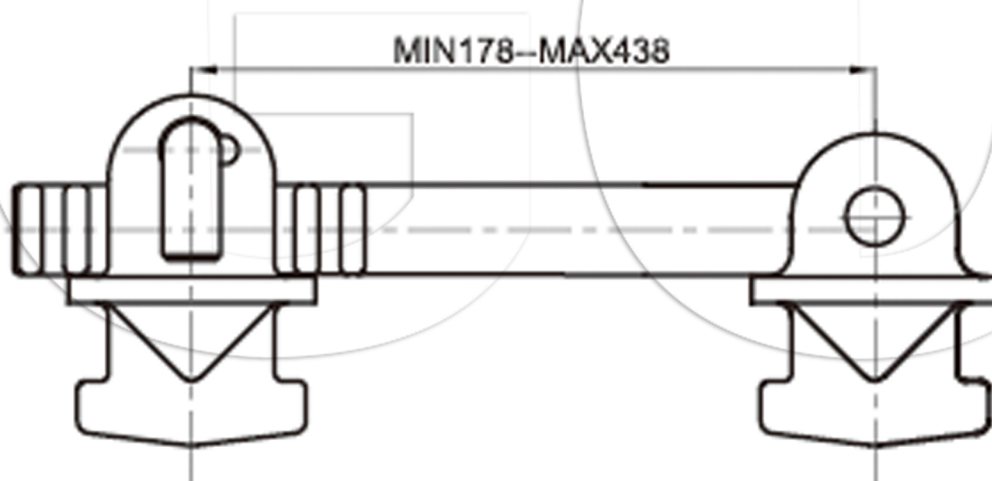


Screw type BF-1



Heavy-duty type BF-2



MODEL NO.	L1	L2	B.L.	WEIGHT
BF-1/254	254	0-86	100KN	4.5kg
BF-1/380	380	0-212	100KN	5.8kg
BF-2	--	0-259	245KN	7.8kg