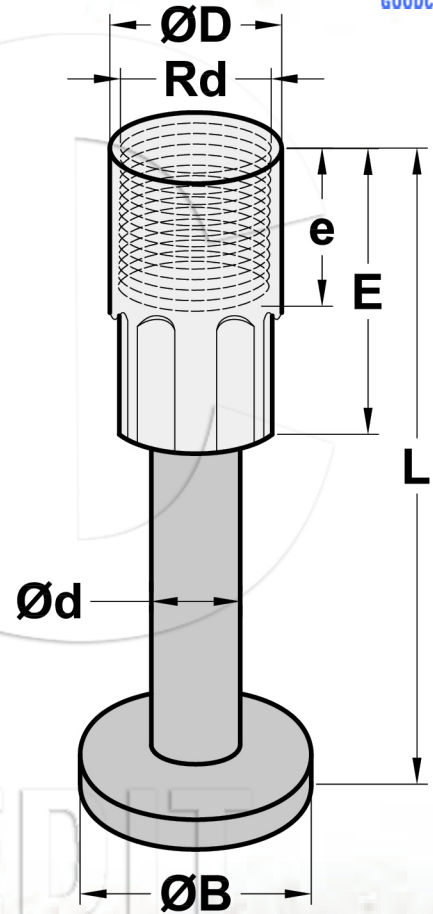


# COMPACT ANCHOR



Item Code	WLL (kg)	Dimensions (mm)						
		d	D	Rd	e	E	B	L
M12×100	500	8	17	12	22	43	20	100
M14×155	800	10	18	14	25	45	25	155
M16×175	1200	10	21	16	27	60	25	175
M18×225	1600	14	24	18	35	65	35	225
M20×250	2000	14	27	20	35	67	35	250
M24×275	2500	14	31	24	43	75	35	275
M30×350	4000	20	40	30	56	90	50	350
M36×450	6300	25	48	36	68	105	60	450
M42×500	8000	28	54	42	75	125	70	500

**⚠ WARNING** Never exceed Working Load Limit