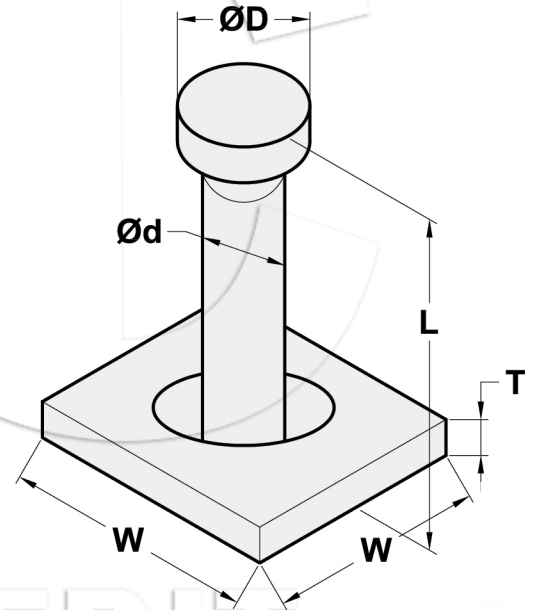
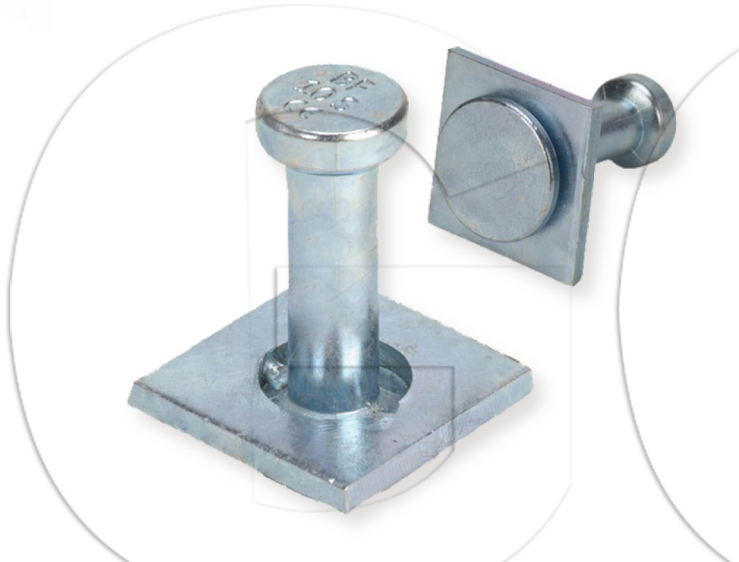


LIFTING STUD WITH FLAT PLATE



Item Code	Load Group (t)	Dimensions (mm)				
		d	D	T	W	L
2.5×55	2.5	14	26	6	70	55
2.5×120	2.5	14	26	6	70	120
5×55	5	20	36	8	90	55
5×65	5	20	36	8	90	65
5×110	5	20	36	8	90	110
10×115	10	28	46	10	90	115

⚠ WARNING Never exceed Working Load Limit