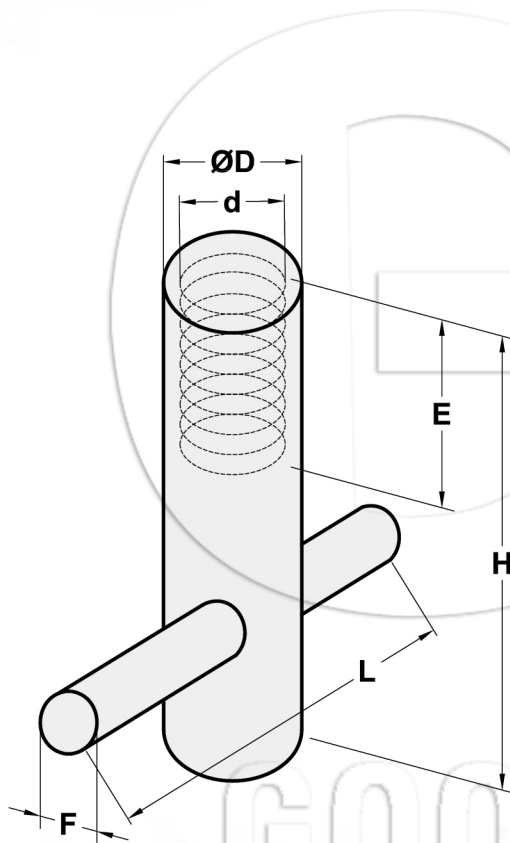


FIXING SOCKETS WITH CROSS BAR



Item Code	WLL (kg)	Dimensions (mm)					
		d	D	E	H	F	L
M10×42	600	10	16	22	42	6/8	50
M12×50	900	12	18	20	50	10	75
M12×75	900	12	18	40	75	10	75
M16×75	1700	16	23	40	75	10/12	75
M20×75	2300	20	28	35	75	12/14	90
M24×100	3000	24	32	55	100	16	100

