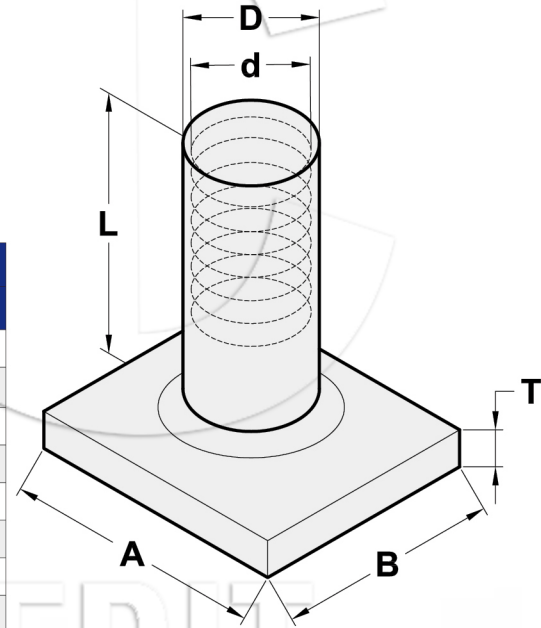
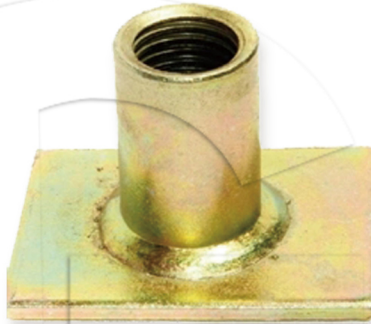


# FLAT PLATE SOCKET



Item Code	SWL (kg)	Dimensions (mm)					
		d	D	A	B	T	L
M12×30	500	M12×1.75	15	25	35	4	30
M14×33	800	M14×2	18	35	35	4	33
M16×35	1200	M16×2	21	35	50	4	35
M18×44	1600	M18×2.5	24	45	60	5	44
M20×47	2000	M20×2.5	27	60	60	5	47
M24×54	2500	M24×3	31	60	80	5	54
M30×72	4000	M30×3.5	40	80	100	6	72
M36×47	6300	M36×4	47	100	130	6	84
M42×54	8000	M42×4.5	54	130	130	8	98
M52×117	12500	M52×5	67	130	150	10	117

**WARNING** Never exceed Working Load Limit