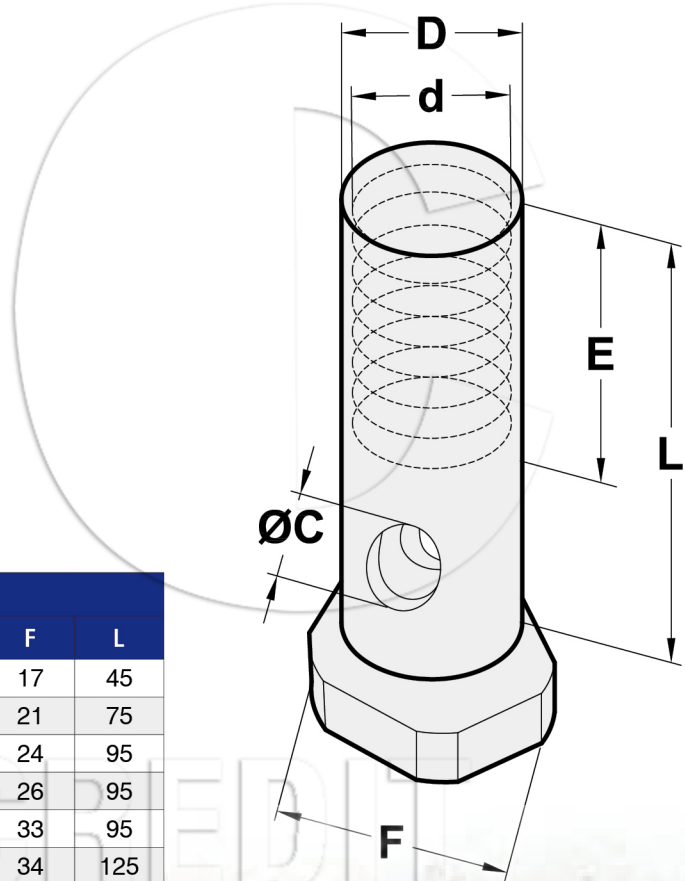


ELEPHANT FOOT FERRULE



Item Code	SWL (kg)	Dimensions (mm)					
		d	D	C	E	F	L
M10×45	400	10	15	8	18	17	45
M12×75	500	12	17	8	22	21	75
M16×95	1200	16	22	10	25	24	95
M20×95	2000	20	28	10	27	26	95
M24×95	2500	24	32	12	34	33	95
M30×125	3000	30	40	12	35	34	125

WARNING Never exceed Working Load Limit