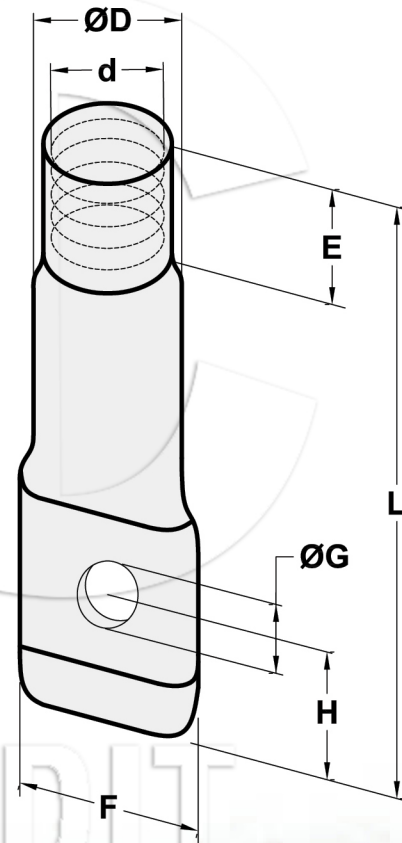


CAST-IN SOCKET WITH CRIMPED END



Item Code	SWL (kg)	Dimensions (mm)						
		d	D	E	L	G	H	F
M8×40	250	8	11	8	40	7	8	16
M8×50	250	8	11	8	50	7	8	16
M10×50	350	10	13	10	50	6.2	11	19
M12×60	500	12	16	12	60	9.2	13	23
M16×80	800	16	22	16	80	12	20	31
M16×100	1000	16	22	16	100	9.2	20	31
M20×100	1250	20	27	20	100	14	23	39
M24×100	1800	24	32	24	120	14	28	45

⚠ WARNING Never exceed Working Load Limit