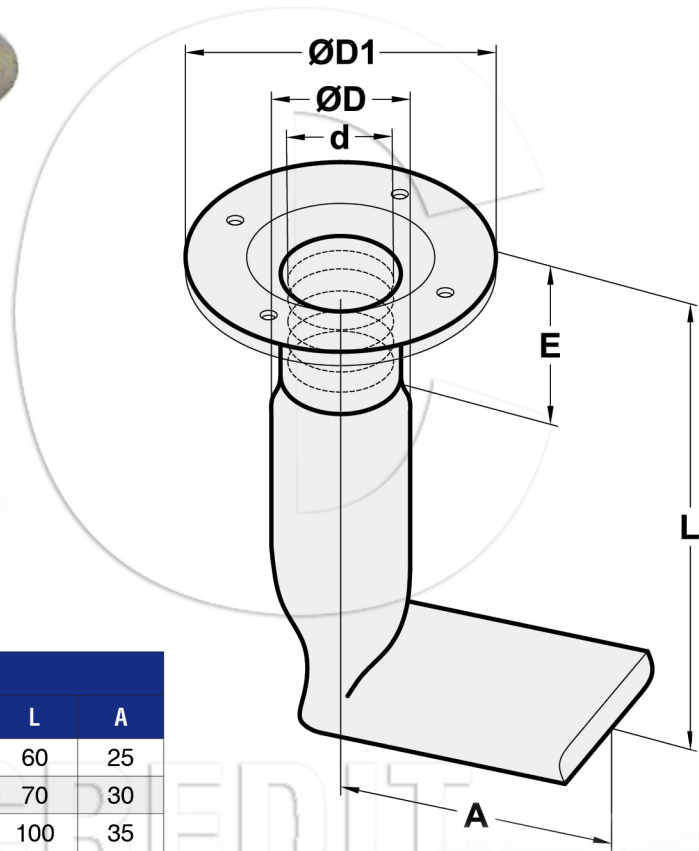


FIXING SOCKETS WITH BENDED END WITH NAILING PLATE



Item Code	SWL (kg)	Dimensions (mm)					
		d	D	D1	E	L	A
M10×60	600	10	13	34	10	60	25
M12×70	800	12	16	40	12	70	30
M16×100	1300	16	22	44	16	100	35
M20×100	1600	20	27	48	20	100	35

⚠ WARNING Never exceed Working Load Limit