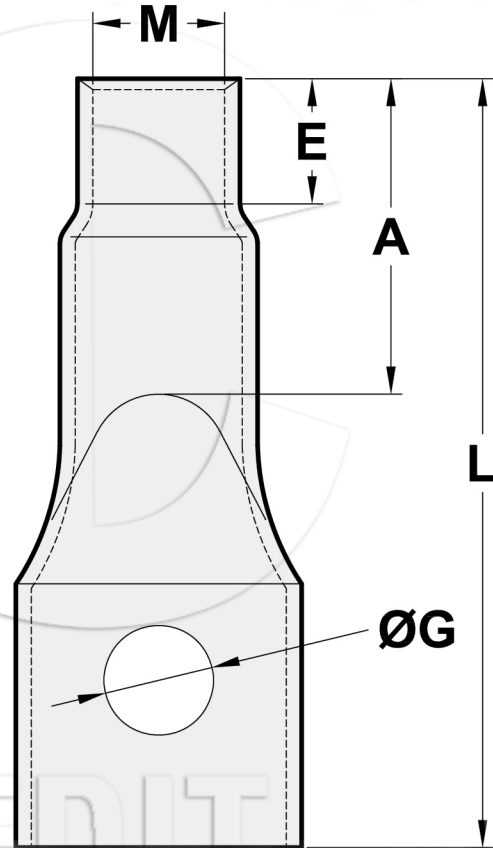


FIXING SOCKETS WITH CROSS HOLE



Item Code	Load Group (kg)	Dimensions (mm)				
		M	L	E	A	G
M6×35	300	6	35	6	17	6.2
M8×40	360	8	40	8	20	6.2
M10×45	400	10	45	10	20	6.2
M10×60	400	10	60	10	24	6.2
M12×55	600	12	55	12	25	10.2
M12×65	600	12	65	12	25	10.2
M16×70	950	16	70	16	25	10.2
M16×80	950	16	80	16	25	10.2
M16×100	1100	16	100	16	32	10.2
M16×120	1100	16	120	16	32	10.2
M20×100	1700	20	100	20	40	13.2
M20×120	1700	20	120	20	40	13.2
M24×120	2000	24	120	24	50	13.2
M30×150	2400	30	150	30	70	13.2

⚠ WARNING Never exceed Working Load Limit