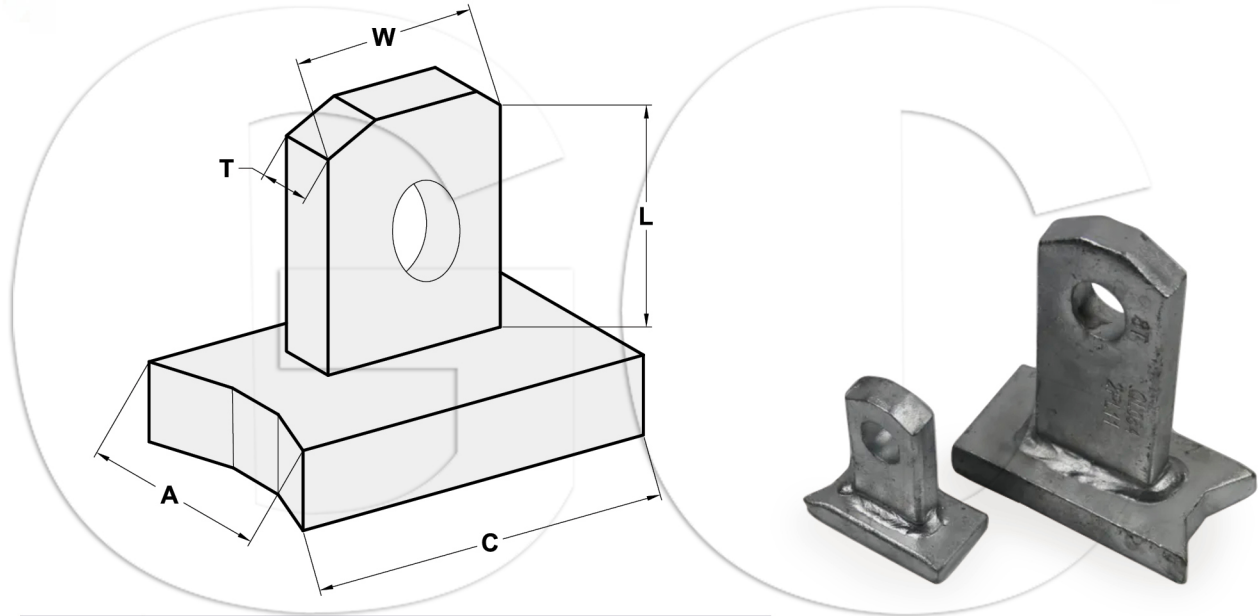


# REINFORCED PLATE ANCHOR



Size (t)	S.W.L (kg)	Dimensions (mm)				
		A	C	W	T	L
2.5T	1814	95	32	32	10	57
5T	3628	76	38	38	13	76
5T	3628	76	38	38	13	89
5T	3628	98	38	38	16	111
10T	4535	32	64	60	20	181