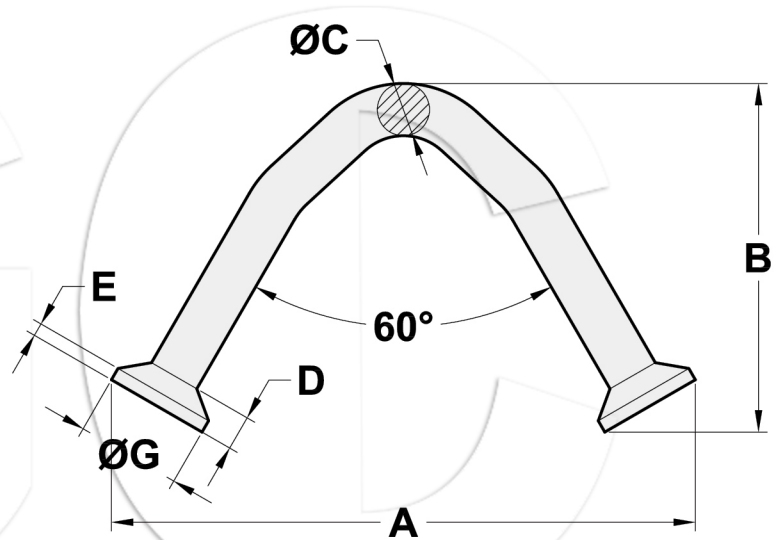


UTILITY ANCHOR



Size (T)	W.L.L (T)	Dimensions (mm)					
		A	B	C	D	E	G
0.8	0.8	134	80	12	8	3	24
1.8	1.8	152	95	12	8	3	24
2	2	181	120	12	8	3	24
3.5	3.5	173	95	17	11	3	41
5	5	188	120	17	11	3	41
7.5	7.5	254	170	17	11	3	41