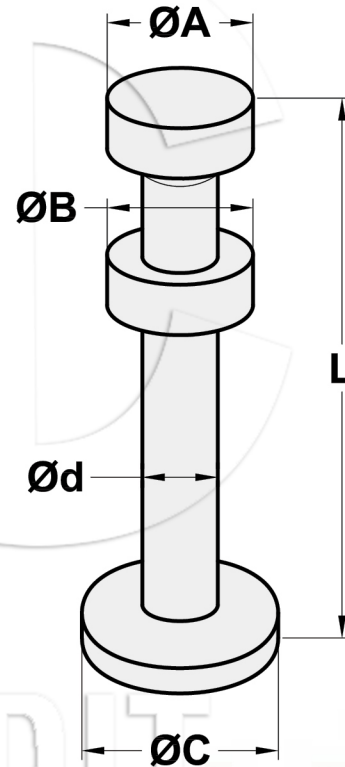


# DOUBLE HEAD LIFTING FOOT ANCHOR



| Size      | Load Group (t) | Dimensions (mm) |    |    |    |     |
|-----------|----------------|-----------------|----|----|----|-----|
|           |                | A               | B  | C  | d  | L   |
| 1.3 × 55  | 1.3            | 19              | 19 | 25 | 10 | 55  |
| 1.3 × 85  | 1.3            | 19              | 19 | 25 | 10 | 85  |
| 1.3 × 120 | 1.3            | 19              | 19 | 25 | 10 | 120 |
| 2.5 × 85  | 2.5            | 26              | 26 | 35 | 14 | 85  |
| 2.5 × 120 | 2.5            | 26              | 26 | 35 | 14 | 120 |
| 2.5 × 170 | 2.5            | 26              | 26 | 35 | 14 | 170 |
| 5 × 75    | 5              | 36              | 36 | 50 | 20 | 75  |
| 5 × 120   | 5              | 36              | 36 | 50 | 20 | 120 |
| 5 × 240   | 5              | 36              | 36 | 50 | 20 | 240 |

**⚠ WARNING** Never exceed Working Load Limit