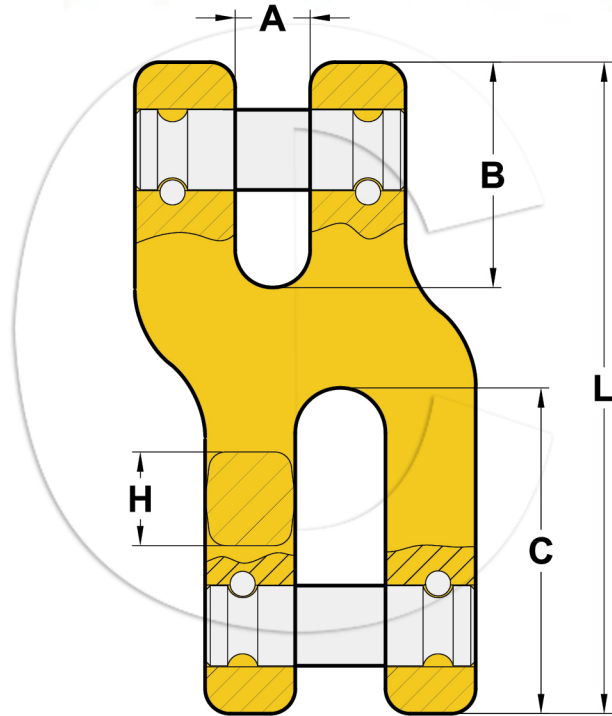


G80 CHAIN CONNECTOR



| Size | Weight Each (kg) | Working Load Limit (t) | Breaking Load Limit (t) | A ± 0.5 | B ± 1.2 | D ± 1 | K ± 1.5 | L ± 2 |
|------|------------------|------------------------|-------------------------|---------|---------|-------|---------|-------|
| 13 | 1.2 | 5.3 | 21.2 | 18 | 45 | 65 | 35 | 130 |