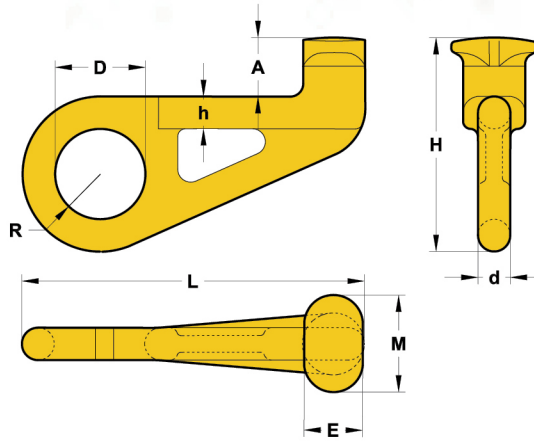
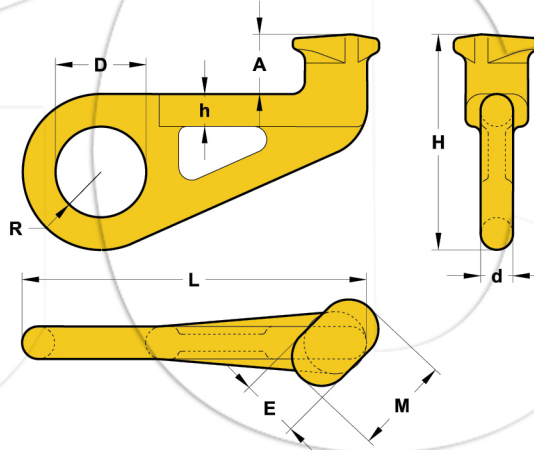


## G80 CONTAINER HOOK STRAIGHT TYPE



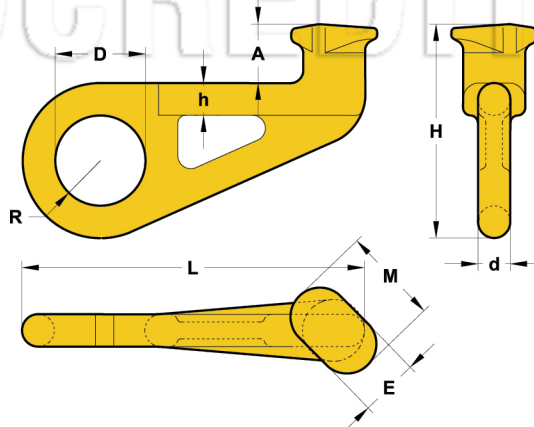
Size	Weight Each (kg)	Working Load Limit (t)	Breaking Load Limit (t)	A±1	M±2	H±2	h±1	E±1	R±1	D±1	d±1	L±2
S	4	12.5	50	46	75	166	25	48	60	70	25	265

## G80 CONTAINER HOOK LEFT TYPE



Size	Weight Each (kg)	Working Load Limit (t)	Breaking Load Limit (t)	A±1	M±2	H±2	h±1	E±1	R±1	D±1	d±1	L±2
L	4	12.5	50	46	75	166	25	48	60	70	25	265

## G80 CONTAINER HOOK RIGHT TYPE



Size	Weight Each (kg)	Working Load Limit (t)	Breaking Load Limit (t)	A±1	M±2	H±2	h±1	E±1	R±1	D±1	d±1	L±2
R	4	12.5	50	46	75	166	25	48	60	70	25	265