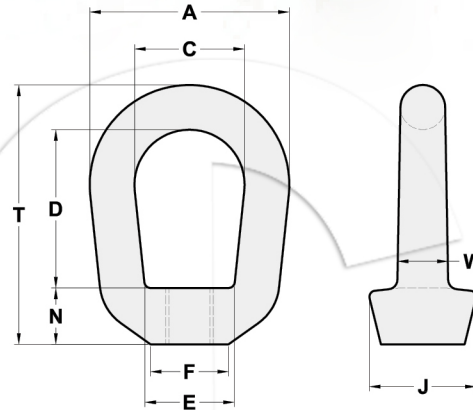


US TYPE FORGED EYE NUTS G400



Size (in.)	Working Load Limit (lbs.)	Weight Per 100 (lbs.)	Dimensions (in.)									
			A	C	D	E	F	J	K	N	T	W
1/4	520	0.09	1.25	0.75	1	0.75	0.5	0.69	0.63	0.38	1.72	0.31
3/8	1250	0.17	1.62	1	1.2	0.83	0.56	0.81	0.89	0.5	2.09	0.41
1/2	2250	0.28	2	1.25	1.44	1.08	0.81	1	1.09	0.62	2.55	0.5
5/8	3600	0.6	2.5	1.5	1.92	1.35	1	1.31	1.31	0.69	3.25	0.69
3/4	5200	1	3	1.75	2.38	1.59	1.12	1.5	1.5	0.88	3.89	0.84
7/8	7200	1.65	3.5	2	2.63	1.96	1.38	1.88	1.88	0.94	4.32	1
1	10000	2.69	4	2.25	3.06	2.21	1.56	2.13	2.13	1.07	5.01	1.19
1-1/4	15500	4.38	4.5	2.5	3.5	2.46	1.88	2.38	2.38	1.25	5.78	1.38
1-3/8	18500	5	5	2.75	4	2.69	2	2.56	2.56	1.38	6.51	1.5
1-1/2	22500	6.78	5.62	3.12	4.31	3.09	2.25	3	3	1.5	7.06	1.66
2	40000	14.6	7.12	4.1	6.2	4.09	3.13	3.75	3.75	2.06	9.91	1.94

⚠ WARNING Never exceed Working Load Limit