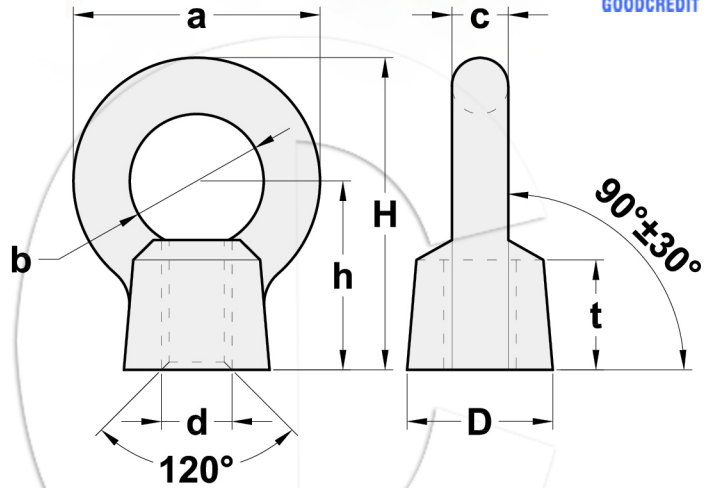


JIS B 1169-1994 EYE NUT



| Size (d) | Working Load Limit (t) | Weight Each (kg) | Dimensions (mm) | | | | | | | |
|----------|------------------------|------------------|-----------------|----|------|----|----|----|-------|----|
| | | | a | b | c | D | t | h | H | r |
| M8 | 0.785 | 0.03 | 32.6 | 20 | 6.3 | 16 | 12 | 23 | 39.3 | 8 |
| M10 | 1.47 | 0.06 | 41 | 25 | 8 | 20 | 15 | 28 | 48.5 | 10 |
| M12 | 2.16 | 0.125 | 50 | 30 | 10 | 25 | 19 | 36 | 61 | 12 |
| M16 | 4.41 | 0.23 | 60 | 35 | 12.5 | 30 | 23 | 42 | 72 | 14 |
| M20 | 6.18 | 0.38 | 72 | 40 | 16 | 35 | 28 | 50 | 86 | 16 |
| M24 | 9.32 | 0.8 | 90 | 50 | 20 | 45 | 38 | 66 | 111 | 20 |
| M30 | 14.7 | 1.58 | 110 | 60 | 25 | 60 | 46 | 80 | 135 | 30 |
| M36 | 22.6 | 2.75 | 133 | 70 | 31.5 | 70 | 55 | 95 | 161.5 | 35 |