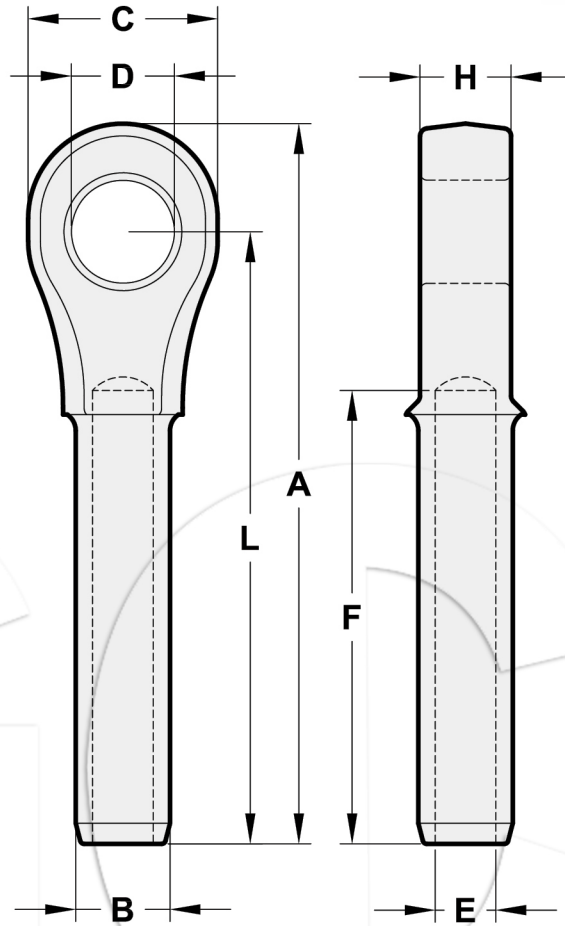


S502 CLOSED SWAGE SOCKETS



Wire Rope Size		Ultimate Load (t)	Weight Eacn (lbs)	Dimensions (in)							
(in)	(mm)			A	B	C	D	E	F	H	L
1/4	6	5.4	0.33	4.28	0.50	1.38	0.76	0.27	2.19	0.50	3.50
5/16	8	11.8	0.75	5.42	0.77	1.62	0.88	0.34	3.25	0.68	4.50
3/8	9-10	13.6	0.72	5.42	0.78	1.62	0.88	0.41	3.25	0.68	4.50
7/16	11-12	18.1	1.42	6.88	1.01	2.00	1.07	0.49	4.31	0.87	5.75
1/2	13	21.3	1.42	6.88	1.01	2.00	1.07	0.55	4.31	0.87	5.75
9/16	14	31.8	2.92	8.59	1.27	2.38	1.28	0.61	5.38	1.14	7.25
5/8	16	34.9	2.85	8.59	1.27	2.38	1.28	0.68	5.38	1.14	7.25
3/4	18-20	43.5	5.00	10.25	1.56	2.88	1.49	0.80	6.44	1.33	8.63
7/8	22	51.5	6.80	11.87	1.72	3.12	1.73	0.94	7.50	1.53	10.09
1	24-26	71.4	10.40	13.56	2.00	3.62	2.11	1.07	8.63	1.78	11.50
1-1/8	28	83.3	14.82	15.03	2.25	4.00	2.37	1.19	9.75	2.03	12.75
1-1/4	32	109	21.57	16.94	2.53	4.50	2.62	1.34	10.81	2.25	14.38
1-3/8	34-36	136	28.54	18.59	2.81	5.00	2.62	1.46	11.88	2.29	15.75
1-1/2	38-40	181	38.06	20.13	3.08	5.38	2.87	1.59	12.81	2.56	17.00
1-3/4	44	228	51.00	23.56	3.40	6.25	3.63	1.87	15.06	3.08	20.00
2	48-52	272	89.25	27.13	3.94	7.25	3.88	2.12	17.06	3.31	23.00