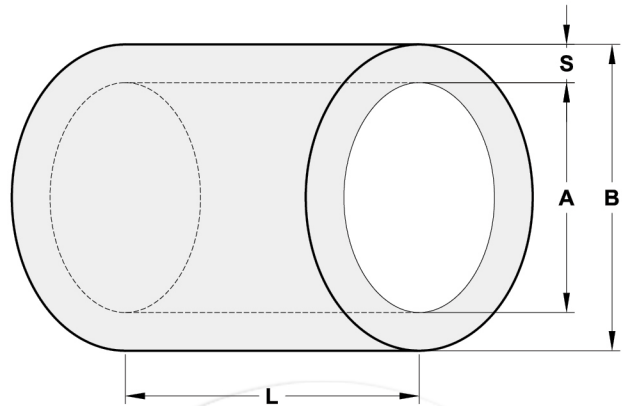


SEAMLESS ALUMINIUM TUBE



Item NO.	Weight Pcs (kg)	Dimensions (mm)		
		B	S	L
#6	0.7	16	2.5	25
#7	1.2	18.5	3	30
#8	1.7	21	3.5	34
#9	2.4	23.5	4	38
#10	3.2	26	4	42
#11	4.4	29	4.5	47
#12	5.5	32	5	50
#13	7.2	34	5.5	55
#14	8.9	37	6	59
#16	13.5	42	7	67
#18	20	48	8	76
#20	32.1	53	8.5	84
#22	40.4	58	9.5	92
#24	46.3	63	10	101
#26	62	68	11	109
#28	75	75	12	118
#30	91	80	13	126
#32	108	85	13	134
#34	137	90	14	143
#36	155	95	16	152
#38	181	100	16	160
#40	210	106	17	168
#44	278	116	19	184
#48	353	125	20	200
#52	450	136	22	216
#56	560	147	23	232
#60	686	158	25	248
#65	990	171	28	284