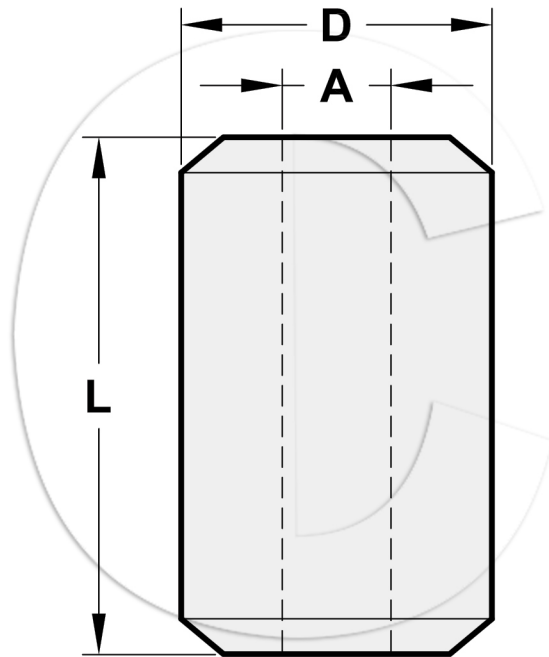
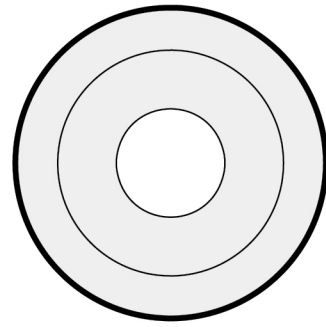
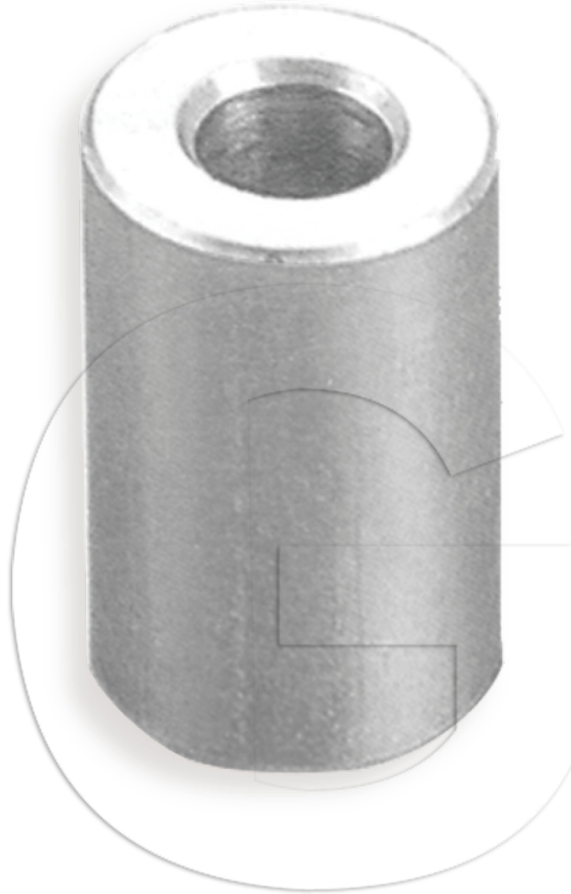


# US TYPE ALUMINIUM STOP BOTTOMS



Size (in)	Weight Per 1000 (kg)	Dimensions (mm)		
		A	D	L
3/64	0.236	1.54	4.40	4.16
1/16	0.278	1.92	6.35	4.16
5/64	0.282	2.38	6.35	4.16
3/32	1.05	2.90	8.72	7.95
1/8	0.949	3.86	8.72	7.95
5/32	1.76	4.70	11.11	8.73
3/16	1.69	5.54	11.11	8.73
7/32	1.50	6.35	11.11	8.73
1/4	9.07	7.20	17.46	17.46
5/16	7.46	9.53	17.46	17.46
3/8	6.58	11.13	17.46	17.46
1/2	30.32	14.28	26.98	26.98
9/16	38.52	15.88	28.60	31.75
5/8	47.88	17.46	31.75	31.75