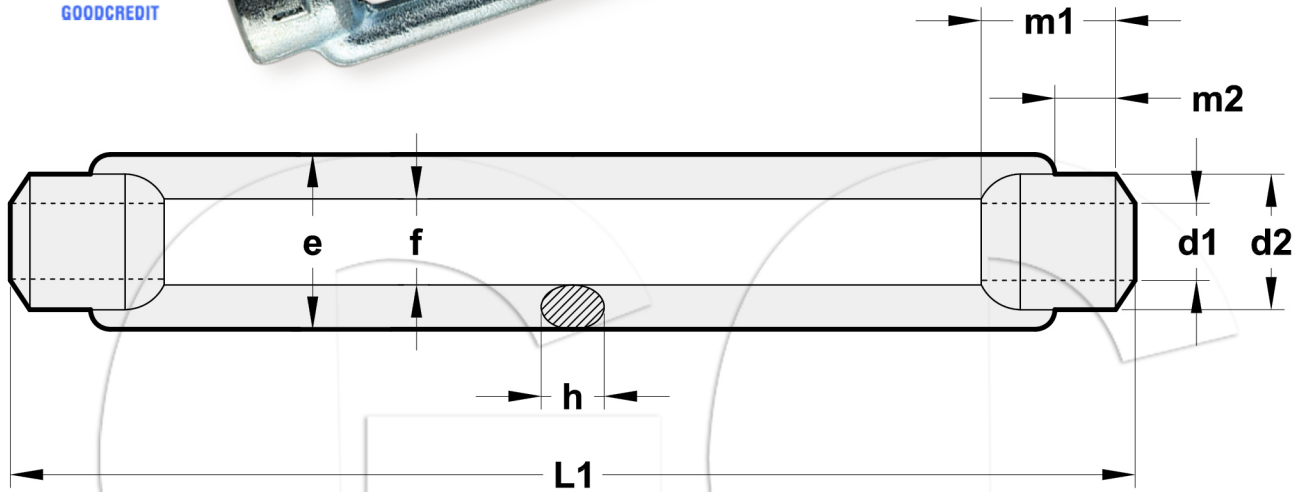


DIN1480 TURNBUCKLES BODY



- Meet Performance requirements of DIN1480
- Drop Forged
- Material: Carbon Steel
- Ultimate Load at 4 Times the Working Load Limit
- Finish: Hot Dip Galvanized or Electrogvanized
- Packing available with Carton Box or Gunny Bag

| Thread Size (d1) | Dimensions (mm) | | | | | | | | Weight 100pcs (kg) |
|------------------|-----------------|----------------------|----|-----|----|----|----|----|--------------------|
| | L1 | Length of engagement | d2 | e | f | h | m1 | m2 | |
| M6 | 110 | 80 | 12 | 19 | 9 | 6 | 12 | 6 | 5.5 |
| M8 | 110 | 75 | 15 | 23 | 11 | 8 | 15 | 8 | 9.5 |
| M10 | 125 | 85 | 18 | 30 | 14 | 9 | 18 | 9 | 15.5 |
| M12 | 125 | 80 | 21 | 34 | 16 | 11 | 21 | 11 | 20.5 |
| M14 | 140 | 90 | 25 | 38 | 18 | 10 | 24 | 9 | 31 |
| M16 | 170 | 110 | 27 | 42 | 20 | 14 | 27 | 14 | 42 |
| M20 | 200 | 130 | 34 | 52 | 24 | 17 | 34 | 17 | 74 |
| M22 | 220 | 145 | 36 | 57 | 26 | 16 | 37 | 15 | 95 |
| M24 | 255 | 170 | 39 | 60 | 28 | 20 | 39 | 20 | 130 |
| M30 | 255 | 160 | 45 | 74 | 34 | 23 | 45 | 23 | 180 |
| M36 | 295 | 180 | 55 | 86 | 40 | 28 | 55 | 28 | 310 |
| M42 | 330 | 200 | 63 | 104 | 50 | 32 | 63 | 32 | 556 |
| M48 | 355 | 195 | 80 | 135 | 65 | 40 | 78 | 39 | 975 |
| M56 | 355 | 195 | 80 | 135 | 65 | 40 | 78 | 39 | 900 |