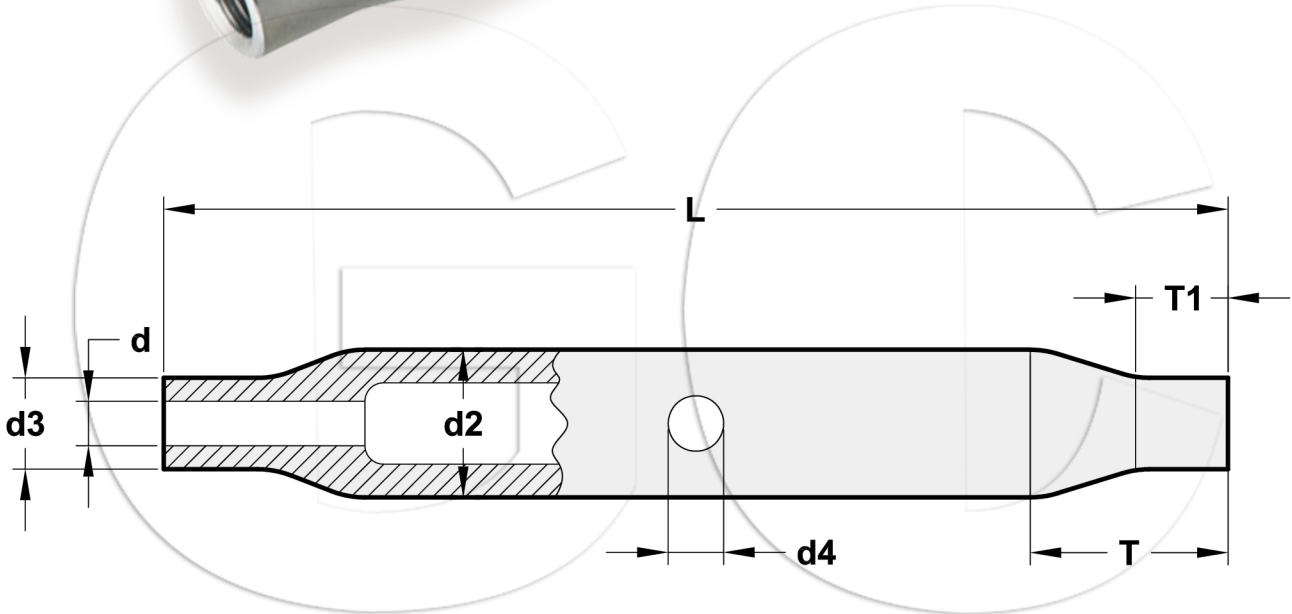


DIN1478 CLOSED TURNBUCKLE BODY



Size (d)	Working Load Limit (kg)	Weight (kg)	Dimensions (mm)					
			d2	d3	d4	L	T	T1
M6	225	0.1	17.2	9	6	110	9.5	7.8
M8	410	0.09	17.2	12	8	110	12	10
M10	650	0.19	21.3	15	8	125	14	12
M12	930	0.27	25	18	10	125	17	15
M16	1170	0.51	30	22.5	10	170	22	20
M20	2700	0.62	33.7	27	12	200	26	24
M24	3920	1.15	42.4	32	12	255	31	29
M30	6250	1.57	51	38	16	255	38	36
M36	9100	3.16	63.5	47.5	16	295	46	43
M42	12500	4.33	70	57	20	330	54	51
M48	16500	5.78	82.5	63	20	355	61	58