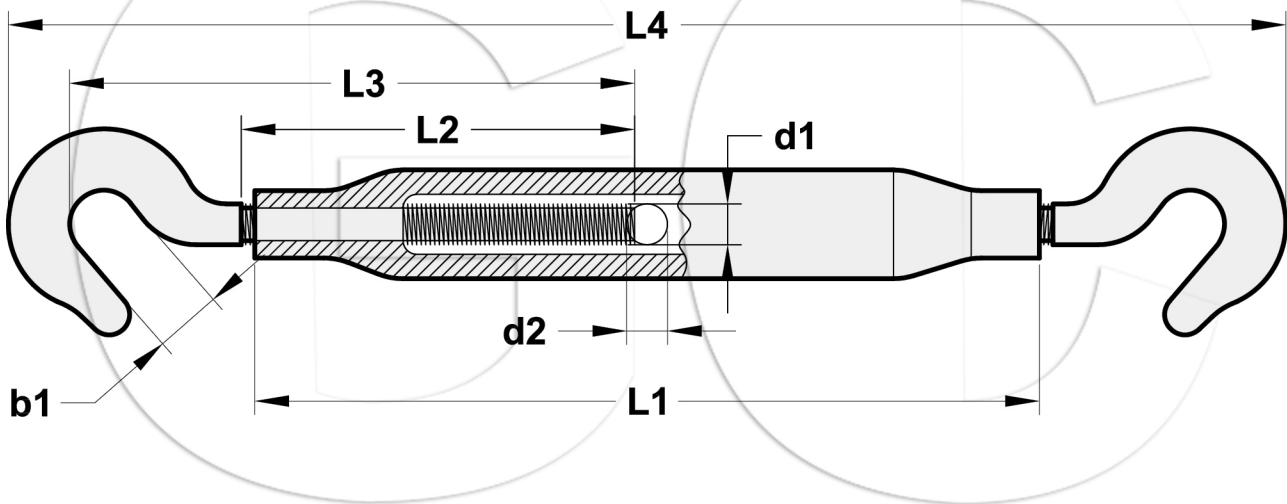


DIN1478 RIGGING SCREWS, TYPE HOOK AND HOOK



- Meet Performance requirements of DIN1478
- Drop Forged
- Material: Carbon Steel
- Ultimate Load at 4 Times the Working Load Limit
- Finish: Hot Dip Galvanized or Electrogalvanized
- Packing available with Carton Box or Gunny Bag

Size	Weight (kg)	Dimensions (mm)							
		d1	L1	L2	L3	L4 Min.	L4 Max.	b1	d2
M6	0.16	M6×1	110	50	77	160	250	9.5	6
M8	0.2	M8×1.25	110	60	98	204	289	11	8
M10	0.3	M10×1.5	125	73	116	241	336	14	8
M12	0.47	M12×1.75	125	90	146	303	393	18	10
M16	1.01	M16×2	170	100	165	340	460	19	10
M20	1.4	M20×2.5	200	105	180	372	512	21	12
M24	2.86	M24×3	255	135	225	463	543	29	12
M30	4.09	M30×3	255	140	225	527	687	31	16
M36	6.85	M36×4	295	170	300	617	697	35	16