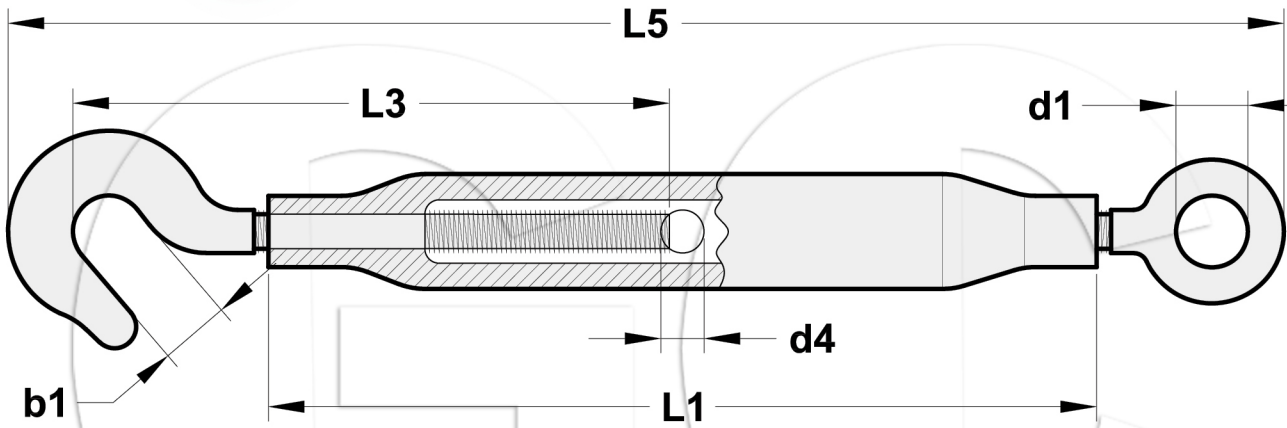


DIN1478 RIGGING SCREWS, TYPE EYE AND HOOK



- Meet Performance requirements of DIN1478
- Drop Forged
- Material: Carbon Steel
- Ultimate Load at 4 Times the Working Load Limit
- Finish: Hot Dip Galvanized or Electrogalvanized
- Packing available with Carton Box or Gunny Bag

Size	Weight Per 100Pcs (kg)	Dimensions (mm)							
		Body Length L1	Adjustable	d4	Hook		Eye		Total Length Screwed In L5
					L3	b1	L3	d1	
M6	11.6	110	90	6	85	8.5	80	9	172
M8	19	110	85	8	85	11	84	10	182
M10	31	125	95	8	112	13.5	105	14	213
M12	42	125	90	10	117	15.5	115	16	238
M16	89	170	120	10	138	19	165	22	320
M20	158	200	140	12	170	20.5	167	24	367
M24	292	255	180	12	205	26	205	27	447
M30	430	255	160	16	225	33	255	31	512
M36	605	295	180	16	255	44	276	43	568
M42	1160	330	200	20	340	48	260	49	683
M48	1600	355	210	20	360	58	300	58	755