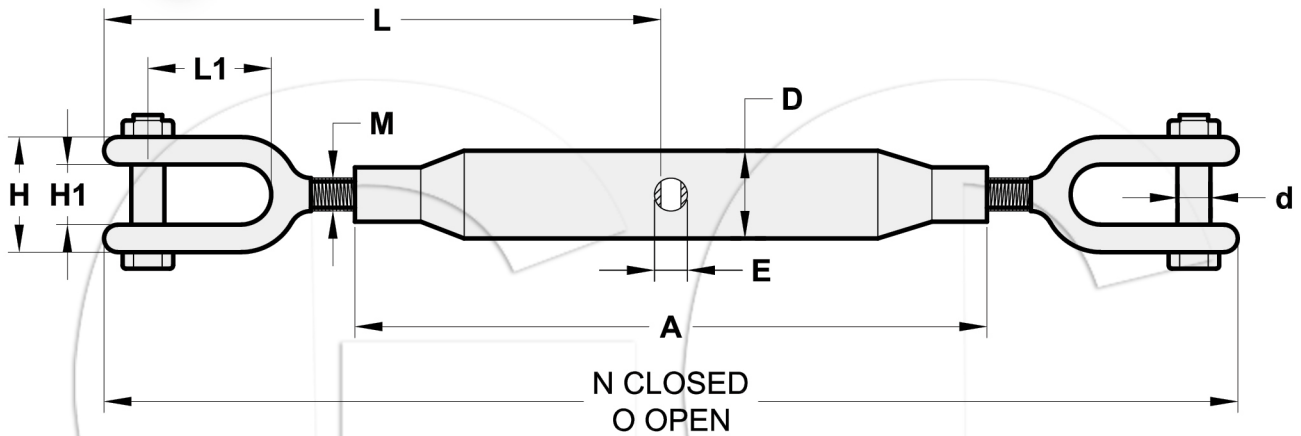


DIN1478 RIGGING SCREWS, TYPE JAW AND JAW



- Meet Performance requirements of DIN1478
- Drop Forged
- Material: Carbon Steel
- Ultimate Load at 4 Times the Working Load Limit
- Finish: Hot Dip Galvanized or Electroplated
- Packing available with Carton Box or Gunny Bag

Size	Weight (kg)	Dimensions (mm)										
		M	A	D	E	H	H1	L	L1	d	N Closed	O Open
M6	0.18	M6×1	110	15	6	21	9	96	21	5	197	292
M8	0.38	M8×1.25	110	17	8.5	21	9	109	21	6.5	223	313
M10	0.484	M10×1.5	125	21	8.5	27	11	124	21	8	253	353
M12	1	M12×1.75	125	25	10.5	37	19	183	35	10	370	465
M16	1.356	M16×2	170	30	10.5	40	22	194	51	12	393	523
M20	2.212	M20×2.5	200	33.5	12.5	44	22	204	48	16	413	563
M22	3.59	M22×2.5	220	33.5	12.5	51	25	248	60	20	500	650
M24	4.814	M24×3	255	42	12.5	60	32	292	65	22	589	786
M27	5.73	M27×3	255	42	14.5	60	32	294	65	22	593	783
M33	8.04	M33×3.5	255	57	16.5	76	38	320	76	24	645	828
M36	8.82	M36×4	295	63	16.5	76	38	325	76	27	655	870
M42	16.4	M42×4.5	330	70	20.5	85	47	330	111	35	655	888
M48	22.4	M48×5	355	83	20.5	101	51	404	121	42	813	951