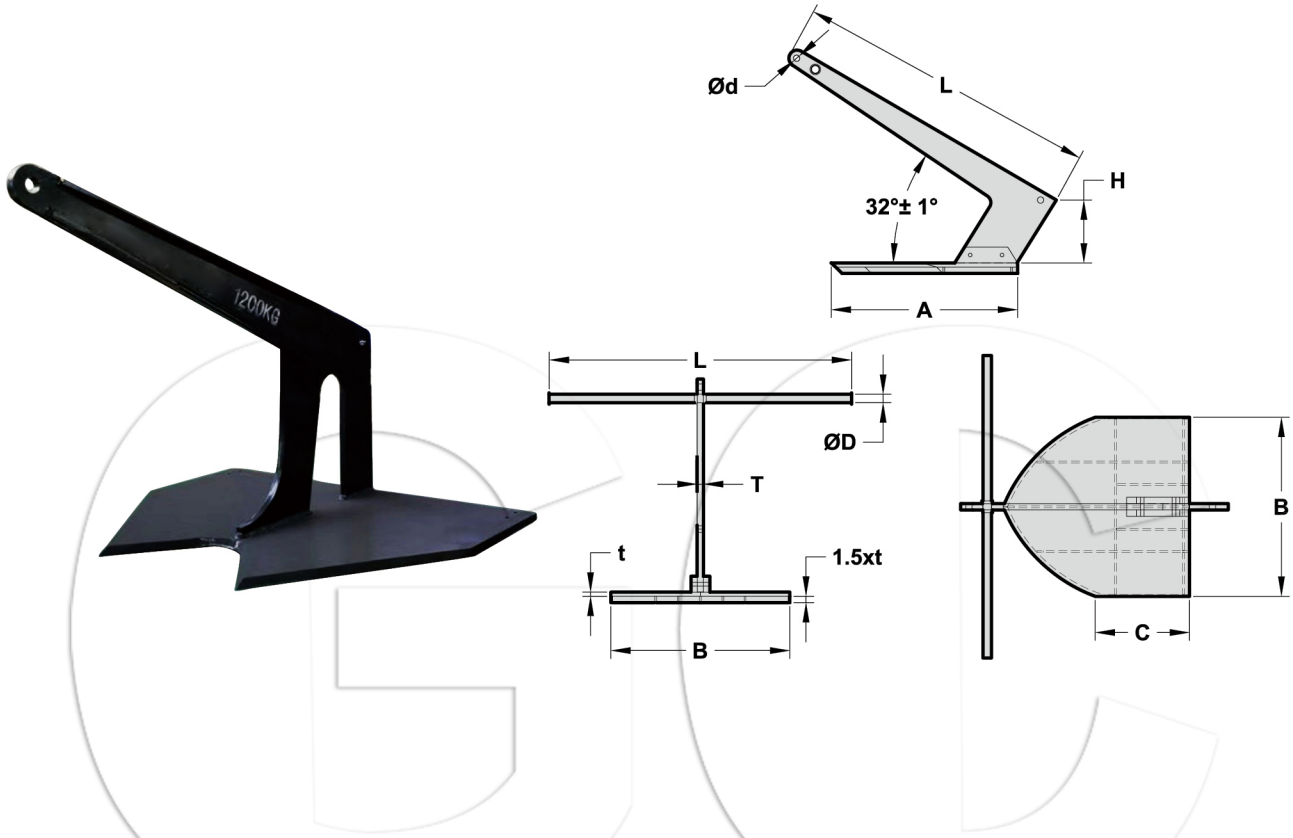


EGERSUND PLOUGH ANCHOR



Weight (kg)	Fluke				Shank				Stock
	A	B	C	t	T	L	H	Φd	ΦD
300	1030	945	550	20	34	1650	393	50	50
500	1290	1220	650	22	40	2100	440	50	50
700	1400	1280	700	28	45	2350	492	60	60
1000	1560	1480	780	30	50	2590	551	60	70
1500	1760	1690	890	39	60	2865	594	60	80
2000	1970	1840	940	40	65	3000	712	75	900
2500	2100	1980	970	45	70	3200	765	80	95
3000	2200	2070	1050	50	75	3355	95	85	100