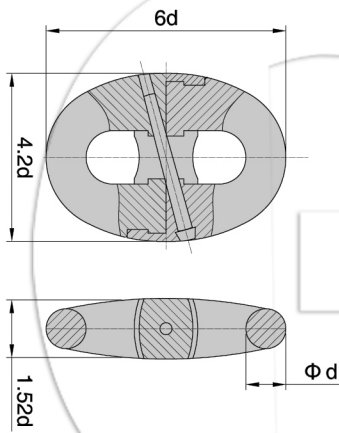


DRAWING OF PRODUCTS

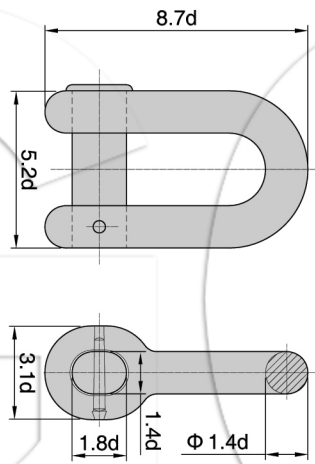
**GC**  
GOODCREDIT



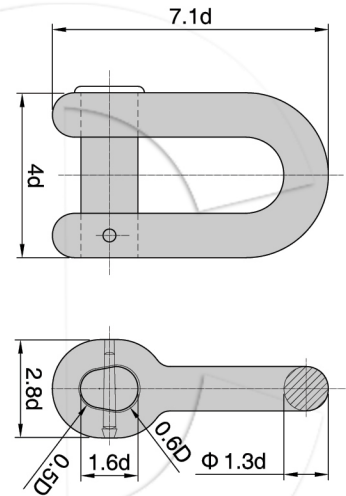
KENTER SHACKLE = KS



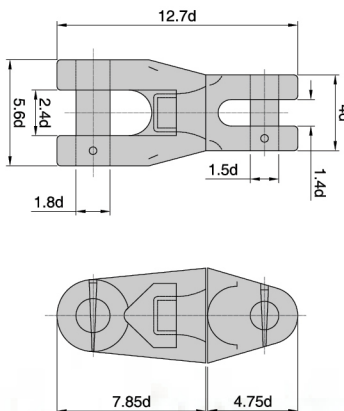
ANCHOR SHACKLE = A.S



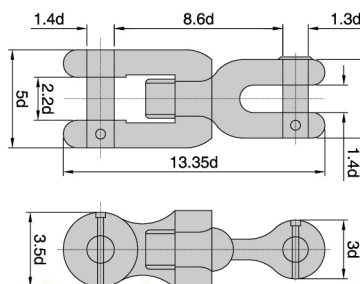
JOINING SHACKLE = JS



ANCHOR SWIVEL SHACKLE  
(a) = A.SW.Sb(a)



ANCHOR SWIVEL SHACKLE  
(b) = A.SW.Sb(b)



Buoy Shackle Type "A"



Buoy Shackle Type "B"