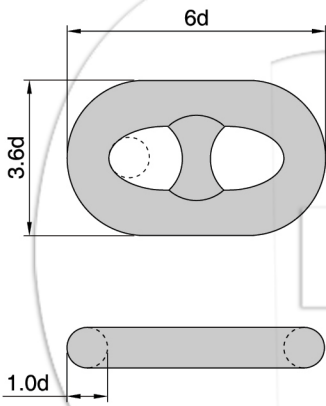


DRAWING OF PRODUCTS

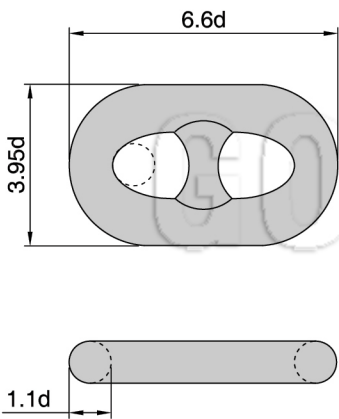
**GC**  
GOODCREDIT



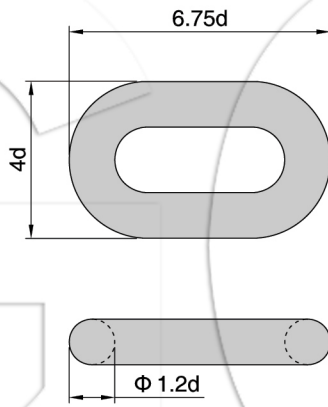
COMMON LINK = C



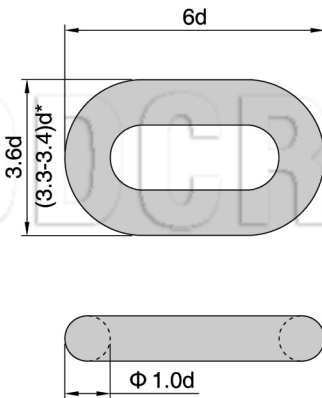
ENLARGED LINK = EL



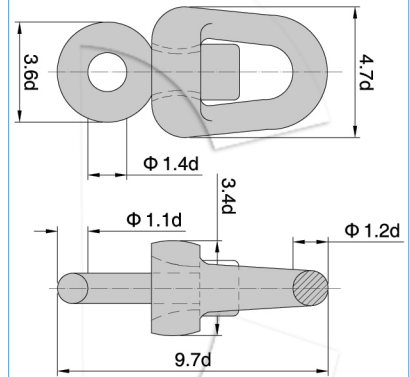
END LINK = E



STUDLESS LINK = SL



SWIVEL = SW



PEAR SHAPED LINK



TRIANGLE PLATE = TP



ROUND LINK = RL