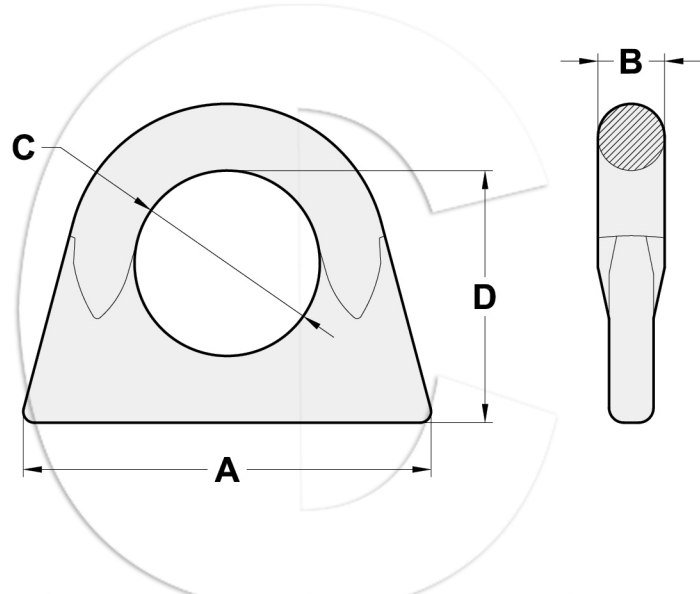


EN13155 PAD EYES



Size	Working Load Limit (t)	Minimum Breaking Limit (kN)	Weight Each (kg)	Dimensions (mm)				
				A	B	C	D	E
0.2T	0.2	7.8	0.07	55	9	23	34	6
0.5T	0.5	19.6	0.13	68	12	31	42	6
1T	1	39.2	0.22	85	14	41	54	8
2T	2	78.4	0.44	105	19	47	63	10
4T	4	156.9	1.1	148	25	65	77	14

⚠ WARNING Never exceed Working Load Limit