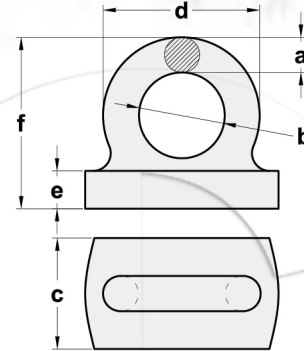


RECTANGULAR BASE EYE PLATES



Diameter Size a (in.)	Proof Load (t)	Weight Each (kg)	Dimensions (mm)					
			a	b	c	d	e	f
3/8	2.00	0.14	10	20	25	45	5	38
1/2	3.50	0.33	12	25	35	60	8	50
5/8	5.50	0.53	16	32	45	70	10	64
3/4	7.50	0.77	19	38	50	85	12	76
7/8	9.60	1.27	22	42	60	102	13	89
1	13.00	2.00	25	50	70	115	16	100
1-1/8	15.75	2.90	28	57	76	130	18	114
1-1/4	20.00	3.44	32	64	85	145	19	128
1-3/8	23.63	5.11	35	70	95	159	21	140
1-1/2	29.00	6.58	38	76	100	170	22	152
1-3/4	39.00	9.99	44	88	120	200	26	178
2	50.00	14.98	50	100	140	230	30	203