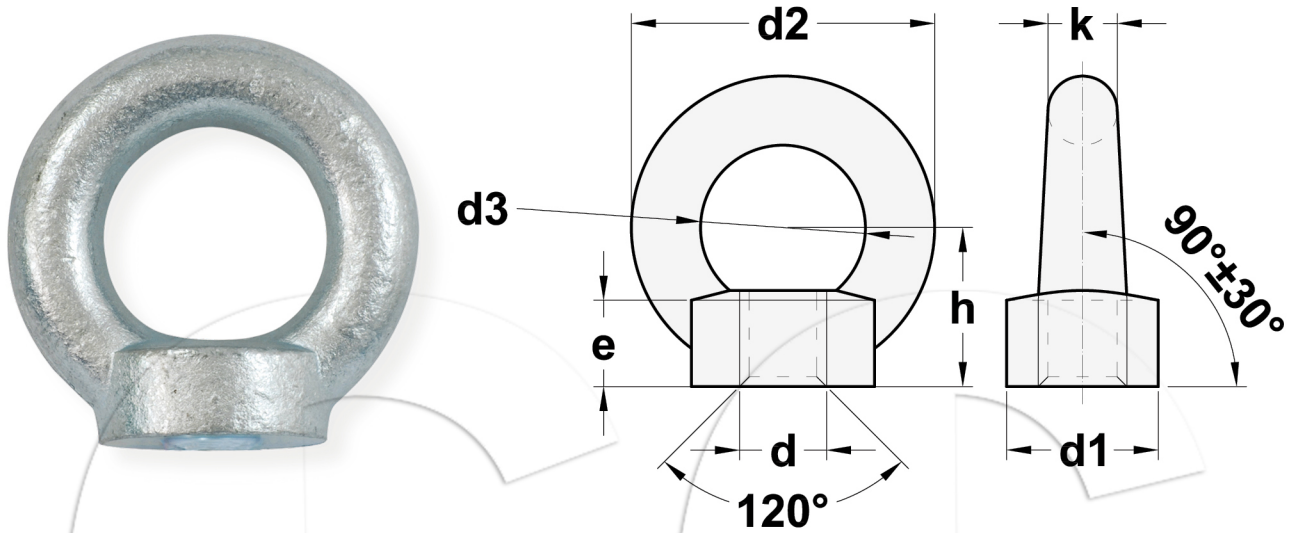


# DIN582 EYE NUT



Size (d)	Working Load Limit (t)	Weight Per 100 (kg)	Dimensions (mm)					
			d1	d2	d3	e	h	k
M6	0.08	4.5	20	36	20	8.5	18	8
M8	0.14	5	20	36	20	8.5	18	8
M10	0.23	9	25	45	25	10	22.5	10
M12	0.34	16	30	54	30	11	26	12
M14	0.49	24	35	63	35	13	30.5	14
M16	0.7	24	35	63	35	13	30.5	14
M18	0.93	36	40	72	40	16	35	16
M20	1.2	36	40	72	40	16	35	16
M22	1.5	38	45	81	45	18	40	18
M24	1.8	72	50	90	50	20	45	20
M27	2.5	70	50	90	50	20	45	20
M30	3.6	132	65	108	60	25	55	24
M33	4.3	130	65	108	60	25	55	24
M36	5.1	208	75	126	70	30	65	28
M39	6.1	202	75	126	70	30	65	28
M42	7	311	85	144	80	35	75	32
M45	8	304	85	144	80	35	75	32
M48	8.6	502	100	166	90	40	85	38
M52	9.9	495	100	166	90	40	85	38
M56	11.5	669	110	184	100	45	95	42
M64	16	930	120	206	110	50	105	48
M72	20	1850	150	260	140	60	130	60
M80	28	2730	170	296	160	70	150	68
M100	40	3640	190	330	180	80	165	75

**⚠ WARNING** Never exceed Working Load Limit