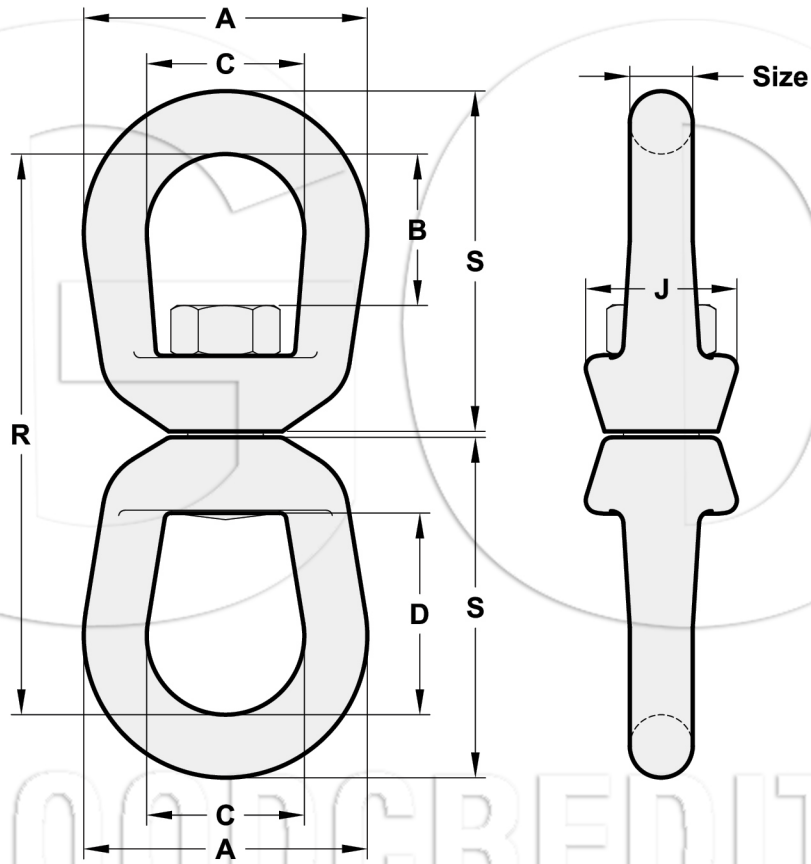


G402 REGULAR CHAIN SWIVELS



Size	Working Load Limit (lbs)	Weight Each (lbs)	Dimensions(in)							
			A	B	C	D	J	M	R	S
1/4	850	0.21	1.25	0.69	0.75	1.06	0.69	0.31	2.94	1.69
5/16	1250	0.39	1.63	0.81	1.00	1.25	0.81	0.38	3.56	2.06
3/8	2250	0.71	2.00	0.94	1.25	1.50	1.00	0.50	4.31	2.50
1/2	3600	1.32	2.50	1.31	1.50	2.00	1.31	0.38	5.44	3.19
5/8	5200	2.49	3.00	1.56	1.75	2.38	1.50	0.75	6.56	3.88
3/4	7200	4.02	3.50	1.79	2.00	2.63	1.88	0.88	7.19	4.31
7/8	10000	6.25	4.00	2.06	2.25	3.06	2.13	1.00	8.38	5.00
1	12500	8.95	4.50	2.31	2.50	3.50	2.38	1.13	9.63	5.75
1-1/4	18000	16.37	5.63	2.69	3.13	3.69	3.00	1.50	11.44	6.75
1-1/2	45200	45.79	7.09	3.88	4.09	3.88	3.75	2.25	16.69	9.91

⚠ WARNING Never exceed Working Load Limit