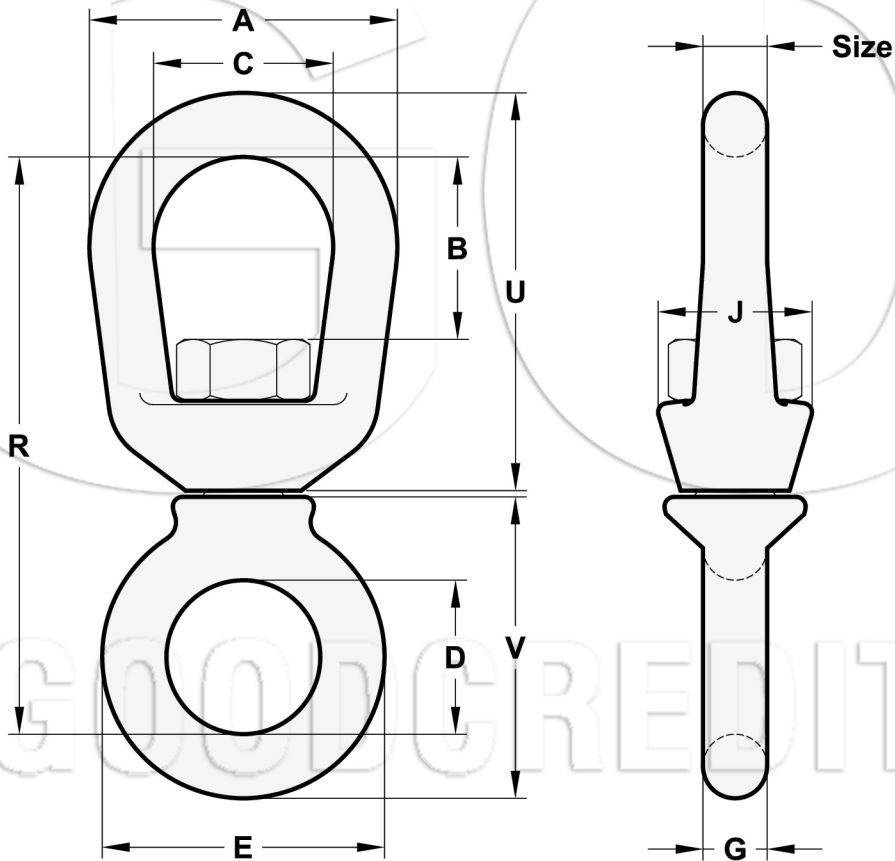


G401 CHAIN SWIVELS



Size	Working Load Limit (lbs)	Weight Each (lbs)	Dimensions(in)										
			A	B	C	D	E	G	J	M	R	U	V
1/4	850	0.13	1.25	0.69	0.75	0.62	1.12	0.25	0.69	0.31	2.25	1.69	1.25
5/16	1250	0.25	1.63	0.81	1.00	0.75	1.38	0.31	0.81	0.38	2.72	2.06	1.47
3/8	2250	0.54	2.00	0.94	1.25	1.00	1.75	0.38	1.00	0.50	3.44	2.50	1.88
1/2	3600	1.12	2.50	1.31	1.50	1.25	2.25	0.50	1.31	0.63	4.25	3.19	2.44
5/8	5200	2.09	3.00	1.56	1.75	1.50	2.75	0.62	1.50	0.75	5.13	3.88	2.94
3/4	7200	3.09	3.50	1.75	2.00	1.75	3.25	0.75	1.88	0.88	5.78	4.94	3.46