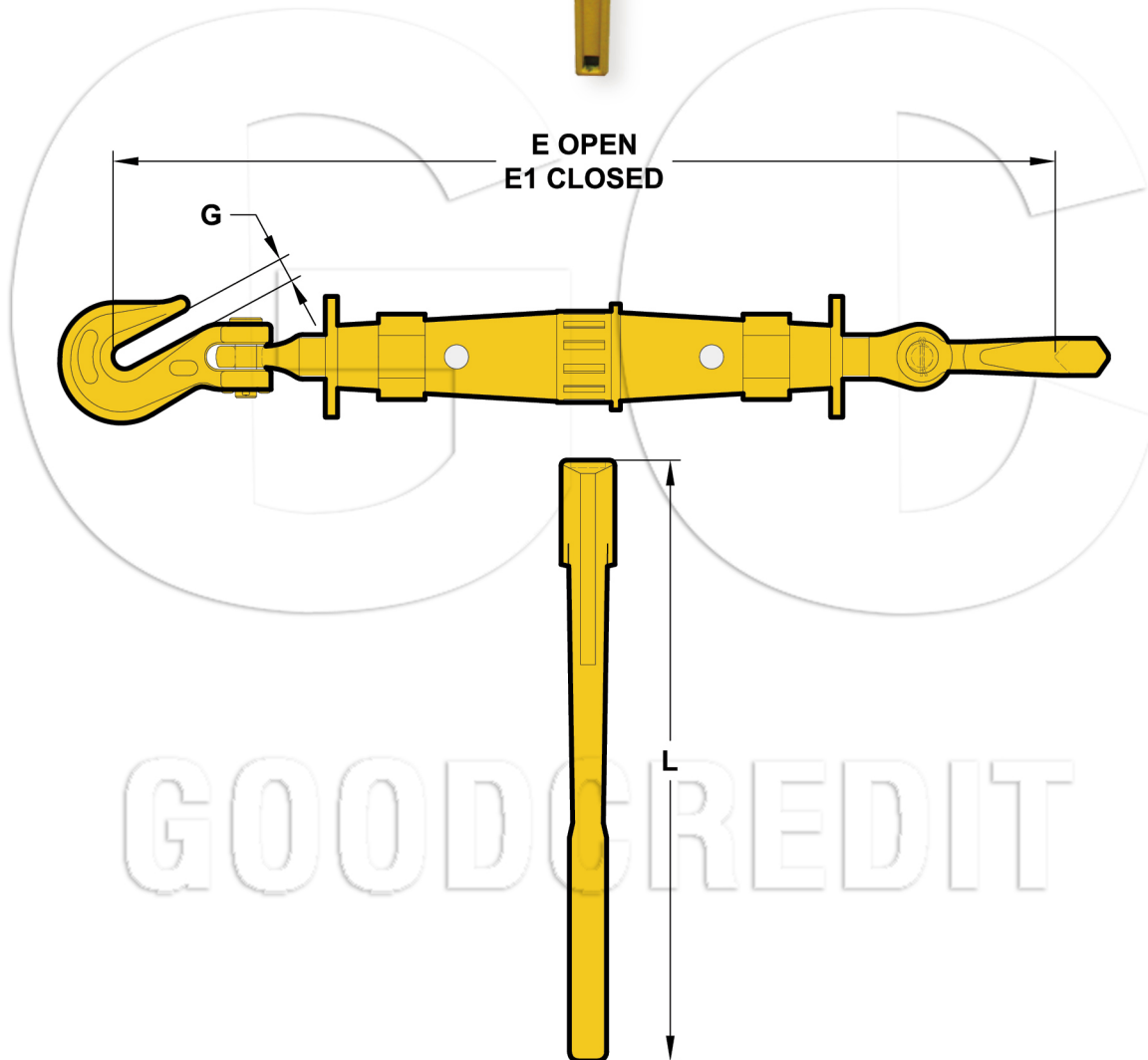


US TYPE REMOVABLE HANDLE RATCHET LOAD BINDER



- Meets or exceeds DOT and CVSA Cargo Securement Tie-Down Guideline
- Forged-Quenched and Tempered with 100% Proof Tested
- Powder Coated or Yellow Chromate
- Material Certificates and Testing Certificates available when requested at the time of order
- Packing available with Carton Box

Size	WLL (lbs)	MBL (lbs)	Weight (lbs)	Dimensions (in)			
				L	G	E	E1
5/16-3/8	5400	19000	10.6	12.64	0.51	25.91	18.43

⚠ WARNING Never exceed Working Load Limit