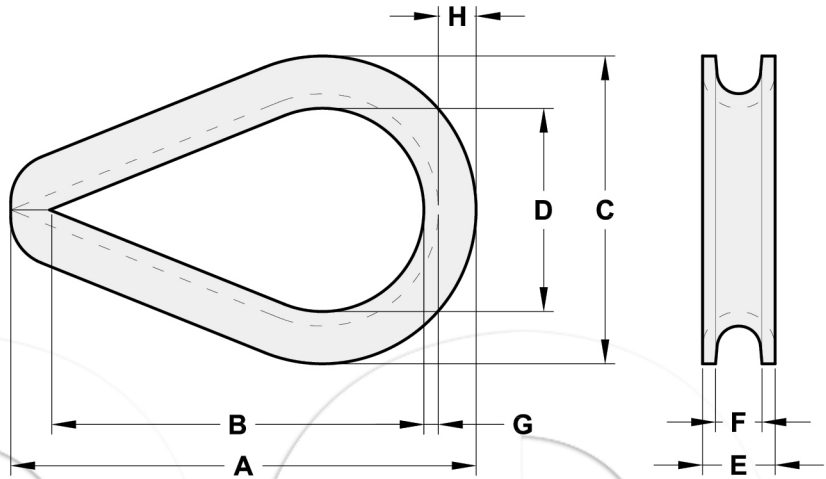


US HEAVY DUTY THIMBLE G414



- Meet Performance requirements of Federal Specification FF-T-276b, Type III
- Finish: Hot Dip Galvanized
- Packing available with Carton Box or Gunny Bag

Rope Size		Weight Per 100 (lbs)	Dimensions (in)							
(in)	(mm)		A	B	C	D	E	F	G	H
1/4	6-7	7	2.19	1.62	1.50	0.88	0.41	0.28	0.06	0.25
5/16	8	14	2.50	1.88	1.81	1.06	0.50	0.34	0.08	0.30
3/8	9-10	23	2.88	2.12	2.12	1.12	0.63	0.41	0.11	0.39
7/16	11-12	37	3.25	2.38	2.38	1.25	0.72	0.47	0.12	0.45
1/2-9/16	13-15	50	3.62	2.75	2.75	1.50	0.89	0.59	0.15	0.48
5/8	16	82	4.25	3.25	3.12	1.75	1.00	0.66	0.16	0.53
3/4	18-20	157	5.00	3.75	3.81	2.00	1.22	0.78	0.22	0.69
7/8	22	190	5.50	4.25	4.25	2.25	1.38	0.94	0.22	0.78
1	24-26	280	6.12	4.50	4.75	2.50	1.56	1.06	0.25	0.88
1-1/8-1-1/4	28-32	-	7.00	5.12	5.88	2.88	1.88	1.31	0.25	1.25
1-1/4-1-3/8	32-35	830	9.08	6.50	6.81	3.50	2.25	1.44	0.37	1.29
1-3/8-1-1/2	35-38	1250	9.00	6.25	7.12	3.50	2.62	1.56	0.50	1.31
1-5/8	40	-	11.25	8.00	8.12	4.00	3.00	1.72	0.50	1.38
1-3/4	44	1860	12.19	9.00	8.50	4.50	3.06	1.84	0.50	1.50
1-7/8-2	48-52	2780	15.12	12.00	10.38	6.00	3.38	2.09	0.50	1.69
2-1/4	56	-	17.50	14.00	11.88	7.00	3.88	2.38	0.62	1.82