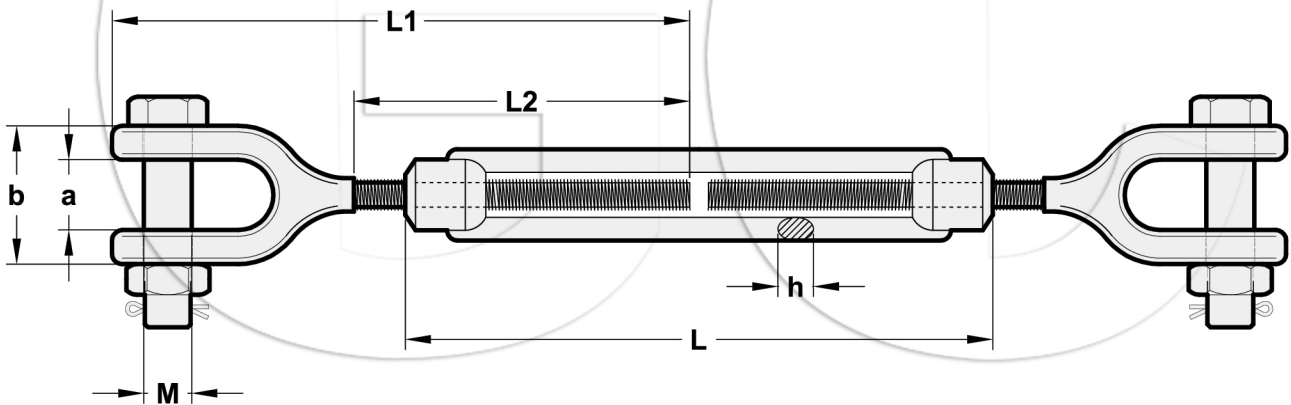


DIN1480 TURNBUCKLES, TYPE JAW AND JAW



- Meet Performance requirements of DIN1480
- Drop Forged
- Material: Carbon Steel
- Ultimate Load at 4 Times the Working Load Limit
- Finish: Hot Dip Galvanized or Electrogvanized
- Packing available with Carton Box or Gunny Bag

Size	Dimensions (mm)						
	L	h	L1	L2	a	b	M
M10	125	9.5	135	78	12.5	27.5	M10
M16	170	14	187	105	20	41	M16
M20	200	17	205	115	23.5	46	M20
M24	255	21	240	130	28	60	M24