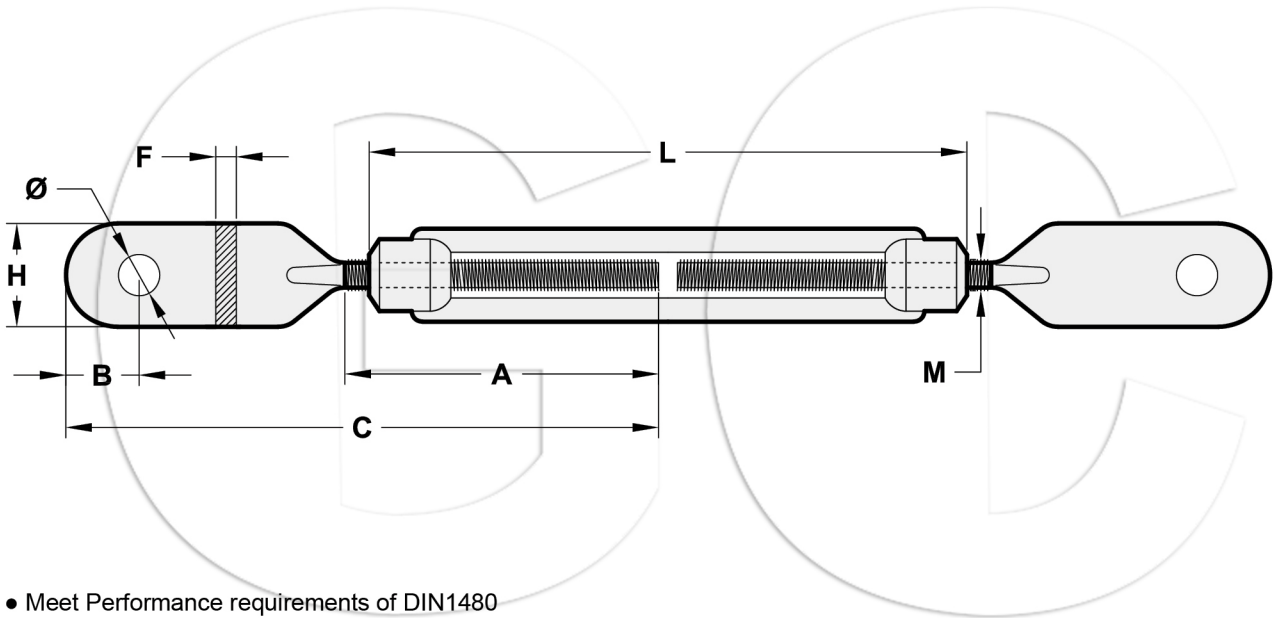


DIN1480 TURNBUCKLES WITH PLANE SCREWS



- Meet Performance requirements of DIN1480
- Drop Forged
- Material: Carbon Steel
- Ultimate Load at 4 Times the Working Load Limit
- Finish: Hot Dip Galvanized or Electrogalvanized
- Packing available with Carton Box or Gunny Bag

Size	Working Load Limit (t)	Weight (kg)	Dimensions (mm)								
			A	B	C	H	M	F	P	L	Ø
M12	1.67	1.1	70	35	210	40	M12	7	77	125	18
M16	3.12	1.73	90	35	240	50	M16	10	85	170	18
M20	4.86	2.58	100	35	255	50	M20	10	91	272	18
M24	7	4.14	150	45	315	70	M24	12	80	255	22
M27	9.1	5.4	150	50	320	70	M27	15	80	255	22
M30	11.18	6.8	160	60	365	80	M30	15	98	255	26
M36	16.2	10.87	220	60	425	80	M36	20	100	295	26